

IEEE Standard for Boot (Initialization Configuration) Firmware: Core Requirements and Practices

1. Overview

1.1 Purpose and scope

This document describes a software architecture for the *firmware* that controls a computer before the operating system has begun execution. Typically, firmware is stored in read-only memory (ROM) or programmable read-only memory (PROM), so that it may be executed immediately after the computer is turned on.

The main jobs of the firmware are to test the machine hardware and to boot the operating system, usually from a mass storage device or a network. The operating system may also require other services from the firmware. Finally, firmware often provides some support for interactive hardware and software debugging. In addition to the main operating system, other programs, such as diagnostic operating systems, may utilize firmware services.

This standard uses *OpenBoot PROM Architecture Specification* [B6]¹ as a starting point, and is bus, vendor, operating system (OS), and instruction-set-architecture (ISA)-independent. Supplements (numbered 1275. x) include specifications for this standard's application to particular ISAs and buses.

This document specifies firmware that controls the operation of a computer system before the primary operating system has taken control of the machine. The material specified includes facilities for determining the hardware configuration; testing, identification, and use of *plug-in devices* prior to primary OS control; reporting the hardware configuration to the operating system; the user interface for controlling these operations; and debugging facilities for hardware and system software.

Additional introductory material can be found in annex F.

1.2 Firmware problems

In an open-systems environment, the job of loading the operating system is greatly complicated by the possibility of user-installed I/O devices. If the *firmware* developer knows in advance the complete list of I/O devices from which the operating system may be loaded, then the software drivers for those devices may easily be included in the firmware. If, however, new bootable devices (devices from which the operating system may be loaded) may be added to the system later, then the firmware must have a way to acquire boot drivers for those devices. The obvious solution of shipping a complete set of system firmware with each new device quickly becomes impractical as the number of devices and systems grows.

A similar situation applies to the devices used for displaying messages showing the progress of the testing and booting processes. The firmware must have a driver for each device on which it wishes to display messages. One solution is to require every display device to emulate some baseline device. This solution works, but the constraints that it imposes on hardware can increase costs and stifle innovation.

Hardware innovation can proceed more rapidly when a single generic version of the operating system can work on several different computers within the same family. If the different computers look exactly the same to the software, then this is easy, but it is rare to find two different computers that look *exactly* the same at the operating system level. However, since the firmware can be considered in some sense to be part of the hardware, then the firmware can sometimes make the operating system's task of *autoconfiguration* (adapting to minor hardware

¹ The numbers in brackets preceded by the letter B correspond to those of the bibliography in annex J.

differences) easier, either by hiding the differences or by reporting the hardware characteristics so the operating system does not have to guess.

1.3 Solutions

The Open Firmware architecture solves those problems, and in addition, provides extensive interactive features for hardware and software debugging.

The design of Open Firmware is processor-independent, and every effort was made to eliminate knowledge of machine details from the specification of its interfaces.

The following Open Firmware features are notable:

- **Plug-in device drivers.** New devices may be added to an Open Firmware system and used for booting or message display without modification to the main Open Firmware system ROM. Each such device has its own *plug-in driver*, usually located in a ROM on the device itself. Thus, the set of I/O devices supported by a particular system may evolve without requiring changes or upgrades to the system ROM.
- **FCode.** Plug-in drivers are written in a byte-coded machine-independent interpreted language called *FCode*. FCode is based on Forth semantics. Since FCode is machine-independent, the same device and driver can be used on machines with different CPU instruction sets. Each Open Firmware system ROM contains an FCode interpreter.
- **Device tree.** The set of devices attached to the system, including permanently installed devices and *plug-in devices*, is described by an Open Firmware data structure known as the *device tree*. The operating system may inspect the device tree to determine the hardware configuration of the system. Each device in the device tree is described by a *property list*. The set of *properties* describing a device is arbitrarily extensible so that any type of device and any kind of information that needs to be reported about the device can be accommodated.
- **Modularity.** Some Open Firmware features (such as booting) are required, and others are optional. The set of Open Firmware features supported on a particular system may be chosen to meet the goals and constraints of that system.
- **Programmable user interface.** The Open Firmware user interface is based on the industry-standard interactive programming language Forth so that sequences of user commands can be combined to form complete programs. This provides a powerful capability for debugging hardware and software; Open Firmware is a very good tool for the initial “bring-up” of new hardware and software. In addition, the Open Firmware programming features can often be used to implement “work-arounds” for many kinds of system bugs.
- **FCode debugging.** The Open Firmware user interface language (Forth) and the FCode language share a common interpretation mechanism, so it is easy to develop and debug *FCode programs* with built-in Open Firmware tools.
- **Operating system debugging.** Open Firmware has commands for debugging operating system code, often making the use of a kernel debugger unnecessary.

1.4 Document organization

In this document, Open Firmware is described in terms of its external interfaces and the internal structures and procedures on which those interfaces depend. See figure 1. The content of the clauses and annexes is as follows:

- Clause 1 provides the background for understanding the goals and objectives of this document.
- Clause 2 provides a list of documents used as references, defines the terminology used, and describes the assumptions made by this standard.
- Clauses 3 and 4 define the internal structures and procedures upon which the Open Firmware model is based.
- Clause 5 defines the *device interface* for identification and use of *plug-in devices*.
- Clause 6 defines the *client interface*, which provides services to booted programs.

- Clause 7 defines the *user interface*, a *command interpreter* for human use.
- Annex A gives detailed definitions of all the individual *commands*, *methods*, *properties*, *configuration variables*, and strings mentioned in this document.
- Annex B defines the escape sequences of the terminal emulator *package*.
- Informative annexes C through I give additional useful information, including *device driver* source code examples, suggested behavior of development tools, historical and compatibility notes, and an index of glossary terms.

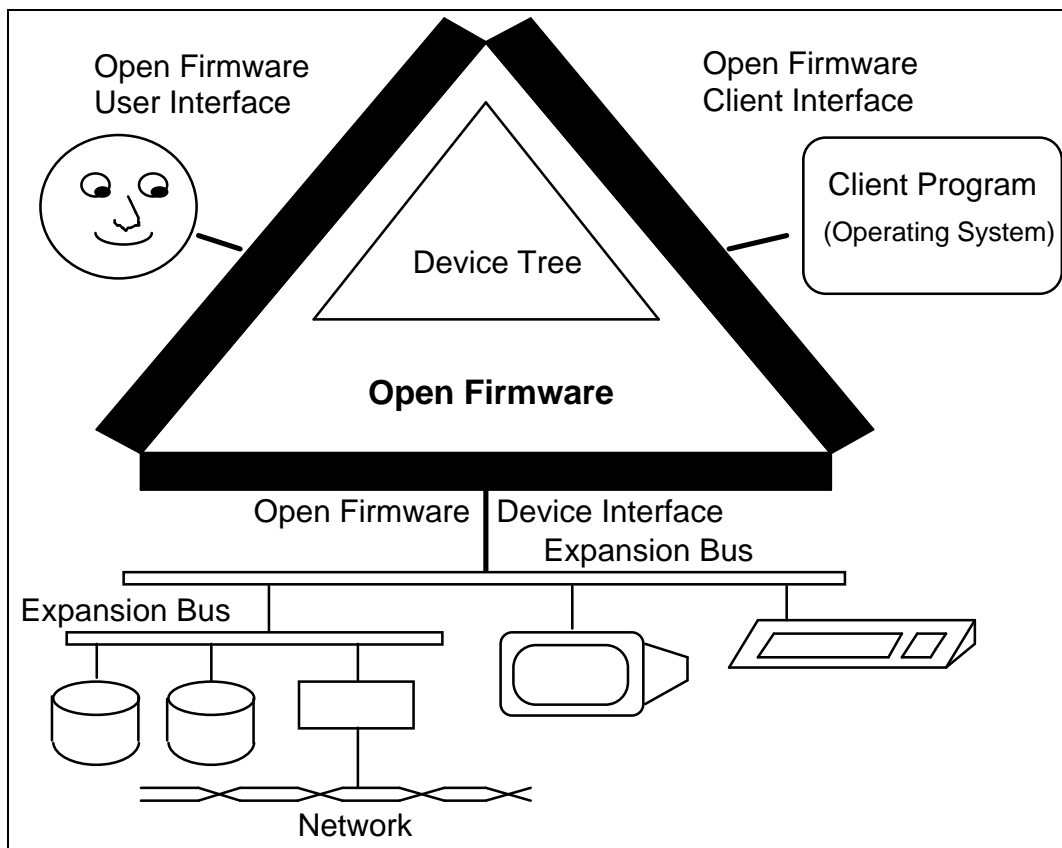


Figure 1—Typical Open Firmware system diagram

1.5 Compliance

In order to comply with this standard, a system shall implement at least one of the following interfaces:

Interface	Clause	Requirements given in subclause
Device interface	5	5.1.2
Client interface	6	6.1.2
User interface	7	7.1.2

A system claiming compliance with this standard shall clearly specify which of the above interfaces are claimed to be compliant.

2. References, definitions, and assumptions

2.1 References

This standard shall be used in conjunction with the following publications. When they are superseded by an approved revision, the revision shall apply:

ANSI X3.64-1979 (Reaff 1990), Additional Controls for Use with the American National Standard Code for Information Interchange.²

ANSI X3.215-1994, American National Standard for Information Systems—Programming Languages—Forth.

IEEE Std 100-1992, The New IEEE Standard Dictionary of Electrical and Electronics Terms (ANSI).³

IEEE Std 1275.1-1994, IEEE Standard for Boot (Initialization Configuration) Firmware: Supplement for IEEE 1754 ISA.

IEEE Std 1275.2-1994, IEEE Standard for Boot (Initialization Configuration) Firmware: Supplement for IEEE 1496 Bus (SBus).

IEEE P1275.3, Standard for Boot (Initialization Configuration) Firmware—Supplement for VMEbus, D1, August 1994.⁴

IEEE P1275.4, Standard for Boot (Initialization Configuration) Firmware—Supplement for IEEE 896 (Futurebus+) Bus, D13, August 1994.

ISO 8859-1 : 1987, Information processing—8-bit single-byte coded graph character sets—Part 1: Latin alphabet No. 1.⁵

RFC783, Trivial File Transfer Protocol (TFTP) Protocol Definition, NIC, June 1981.⁶

RFC906 Bootstrap Loading using TFTP, NIC, June 1984.

2.2 Special word usage

The following words have very specific meanings and are used in this standard to differentiate between required and optional features of the Open Firmware specification:

- The word *shall* is used to indicate *mandatory* requirements.
- The word *should* is used to indicate *advisory* requirements (that which is strongly recommended).
- The word *may* is used to indicate *optional* requirements.

² ANSI publications are available from the Sales Department, American National Standards Institute, 11 West 42nd Street, 13th Floor, New York, NY 10036, USA.

³ IEEE publications are available from the Institute of Electrical and Electronics Engineers, Inc., 445 Hoes Lane, P.O. Box 1331, Piscataway, NJ 08855-1331.

⁴ Numbers preceded by the letter P are authorized standards projects that were not approved by the IEEE Standards Board at the time of this document's publication. For information about obtaining drafts, contact the IEEE.

⁵ ISO publications are available from the ISO Central Secretariat, Case Postale 56, 1, rue de Varembé, CH-1211, Genève 20, Switzerland/Suisse. ISO publications are also available in the United States from the Sales Department, American National Standards Institute, 11 West 42nd Street, 13th Floor, New York, NY 10036, USA.

⁶ Internet RFCs are retrievable by FTP at ds.internic.net /rfcnnn.txt (where nnn is a standard's publication number, such as 783 or 906), or call InterNIC at 1-800-444-4345 for information about receiving copies through the mail.

2.3 Definitions of terms

The following definitions give the meanings of the technical terms as they are used in this standard. Terms defined herein are italicized upon their first occurrence in each subclause throughout the rest of the document. Terms related to the Forth programming language are defined in ANSI X3.215-1994.⁷

2.3.1 active package: The package, if any, whose methods are accessible by name to the command interpreter, and to which newly created methods and properties are added.

2.3.2 alignment: The suitability of particular addresses for accessing particular types of data. For example, some processors require even addresses for accessing 16-bit data items.

2.3.3 big endian: A representation of multibyte numerical values in which bytes with greater numerical significance appear at lower memory addresses.

2.3.4 boot: To load and execute a client program.

2.3.5 built-in device: A device that is either permanently attached to the computer system, not easily removable, or present in all system configurations (i.e., not optional).

2.3.6 byte: A unit of computer data consisting of 8 bits.

2.3.7 cell: The primary unit of information in the architecture of a Forth System. See 2.3.2.

2.3.8 child node: A node that “descends” from another node, i.e., all nodes except the root node. *See also:* **parent node**.

2.3.9 client execution environment: The machine state that exists when a client program begins execution.

2.3.10 client interface: A set of data and procedures giving a client program access to client interface services.

2.3.11 client interface handler: A mechanism by which control and data are transferred from a client program to the firmware, and subsequently returned, for the purpose of providing client interface services.

2.3.12 client interface services: Those services that Open Firmware provides to client programs, including device tree access, memory allocation, mapping, console I/O, mass storage, and network I/O.

2.3.13 client program: A software program that is loaded and executed by Open Firmware (or a secondary boot program). (The client program may use services provided by the Open Firmware client interface.)

2.3.14 close: To destroy a package instance.

2.3.15 colon definition: A command defined as a sequence of previously existing commands.

2.3.16 command: As applied to this standard, a procedure in the Forth programming language. The execution of a command performs some operation, usually affecting the state of one or more system resources in a predefined way. (New commands may be defined as sequences of previously defined commands. Most commands have human-readable names expressed as a sequence of textual characters. *See also:* **Forth word; word name**.)

2.3.17 command group: A set of commands with defined behaviors, the group as a whole providing some particular capability (for example, one command group is concerned with client program debugging).

⁷Information on references can be found in 2.1.

2.3.18 command interpreter: The portion of a Forth system that processes user input and Forth language source code by accepting a sequence of textual characters representing Forth word names and executing the corresponding Forth words.

2.3.19 configuration variable: A named parameter, whose value is stored in nonvolatile memory, that controls some aspect of the firmware's behavior.

2.3.20 console: A device used as the primary means of communication with a human being, consisting of an input device, used for receiving information supplied by the human, and an output device, used for sending information to the human. (Typically, a console is either an ASCII terminal connected to a serial port or the combination of a text/graphics display device and a keyboard.)

2.3.21 current instance: The package instance whose private data is currently accessible.

2.3.22 data stack: A stack that may be used for passing parameters between Forth definitions.

2.3.23 decompiler: A software component that takes one or more compiled Forth commands and generates the equivalent text representation for those commands.

2.3.24 defer word: A Forth word whose name has been entered into the dictionary (by the defining word **defer**), but whose action was left unresolved and may be resolved at a later time.

2.3.25 device: A hardware unit that is capable of performing some specific function.

2.3.26 device alias: A shorthand representation for a device path.

2.3.27 device arguments: The component of a node name that is provided to a package's **open** method to provide additional device-specific information.

2.3.28 device driver: The software responsible for managing low-level I/O operations for a particular hardware device or set of devices. Contains all the device-specific code necessary to communicate with a device and provides a standard interface to the rest of the system. *See also:* **firmware device driver; operating system device driver.**

2.3.29 device interface: One of the interfaces specified in this standard that allows devices to be identified, characterized, and used to assist other Open Firmware functions such as booting.

2.3.30 device node: A particular entry in the device tree, usually describing a single device or bus, consisting of properties, methods, and private data. (A device node may have multiple child nodes and has exactly one parent node. The root node has no parent node.)

2.3.31 device path: A textual name identifying a device node by showing its position in the device tree.

2.3.32 device specifier: Either a device path, a device alias, or a hybrid path that begins with a device alias and ends with a device path.

2.3.33 device tree: A hierarchical data structure representing the physical configuration of the system. (The device tree describes the properties of the system's devices and the devices' relationships to one another. Most Open Firmware elements [devices, buses, libraries of software procedures, etc.] are named and located by the device tree.)

2.3.34 device type: Identifies the set of properties and package classes that a node is expected to implement. Specified by the "**device_type**" property.

2.3.35 disassembler: A program that translates machine code into an equivalent human-readable assembly-language representation.

2.3.36 disk label: Contains descriptive information, usually in a well-known location such as physical block zero, about the device and the media and may include logical partitioning information.

2.3.37 doublet: A unit of computer data consisting of 16 bits.

2.3.38 driver name: The component of a node name that corresponds to the value of the device's "name" property.

2.3.39 FCode: A computer programming language defined by this standard, which is semantically similar to the Forth programming language but is encoded as a sequence of binary byte codes representing a defined set of Forth definitions.

2.3.40 FCode driver: A device driver, written in FCode, intended for use by Open Firmware and its client programs.

2.3.41 FCode function: A self-contained procedural unit of the FCode programming language to which an FCode number may be assigned.

2.3.42 FCode evaluator: The portion of Open Firmware that processes FCode programs by reading a sequence of bytes representing FCode numbers and executing or compiling the associated FCode functions.

2.3.43 FCode number: A number from 0 to 4095 (conventionally written in hexadecimal as 0x00 to 0x0FFF) that denotes a particular FCode function.

2.3.44 FCode probing: The process of locating and evaluating an FCode program.

2.3.45 FCode program: A program encoded as a sequence of byte codes according to the rules of the FCode programming language.

2.3.46 FCode source: An FCode program in text form. *See also:* **tokenizer**.

2.3.47 firmware: A program, typically stored in read-only memory, that controls a computer from the time that it is turned on until the time that the primary operating system assumes control of the computer.

2.3.48 firmware device driver: A device driver intended for use by firmware. *Contrast with:* **operating system device driver**. *See also:* **device driver**.

2.3.49 Forth word: *See:* **command**.

2.3.50 frame buffer: A hardware device that is used as an interface between a computer and a video monitor, generally containing an array of memory that is written by the computing system (software) and is read by special hardware for the purpose of display.

2.3.51 ihandle: A cell-sized datum identifying a particular package instance.

2.3.52 instance: *See:* **package instance**.

2.3.53 leaf node: A device node that has no children.

2.3.54 least significant: Within a group of data items (e.g., bits or bytes) that, taken as a whole, represents a numerical value, the item within the group with the smallest numerical weighting.

2.3.55 little endian: A representation of multibyte numerical values in which bytes with lesser numerical significance appear at lower memory addresses.

2.3.56 load: To move the image of a client program from a long-term storage medium (such as a disk) into memory where it may be executed.

2.3.57 memory management unit (MMU): A device that performs address translation between a CPU's virtual addresses and the physical addresses of some bus; typically, the bus represented by the root node.

2.3.58 method: A software procedure associated with a package.

2.3.59 MMU: *See:* **memory management unit.**

2.3.60 most significant: Within a group of data items (e.g., bits or bytes) that, taken as a whole, represents a numerical value, the item within the group with the greatest numerical weighting.

2.3.61 node: In the context of Open Firmware, node is a synonym for device node. *See also:* **device node.**

2.3.62 node name: A text string of the form "driver-name@unit-address:device-arguments", which identifies a device node within the address space of its parent.

2.3.63 nonvolatile memory: Computer memory whose contents are preserved when the system power is off.

2.3.64 open: To create a package instance.

2.3.65 Open Firmware: Firmware conforming to IEEE Std 1275-1994, IEEE Standard for Boot (Initialization Configuration) Firmware: Core Requirements and Practices.

2.3.66 operating system device driver: A device driver intended for use by a primary operating system. *Contrast with:* **firmware device driver.** *See also:* **device driver.**

2.3.67 package: The combination of a node's properties, methods, and private data.

2.3.68 package instance: A data structure resulting from the opening of a particular package, consisting of a set of values for the package's private data.

2.3.69 parent node: The node to which a device node is attached. Each device node has exactly one parent node, except the root node, which has none. (A device node descends from its parent node. Traveling "up" the device tree takes one through parent nodes to the root node. Traveling "down" the device tree takes one through child nodes to the leaf nodes.)

2.3.70 phandle: A cell-sized datum identifying a particular package.

2.3.71 physical address: A unique identifier that selects a particular device from the set of all devices connected to a particular bus.

2.3.72 physical address space: The set of possible physical addresses for a particular bus.

2.3.73 plug-in device: A device that may be installed and removed at will, especially a device that is attached to a bus intended for system expansion.

2.3.74 plug-in driver: A package, usually associated with a plug-in device and serving as the interface to that device, that is created by evaluating an FCode program resident on that device.

2.3.75 printable character: A character in the range 0x21 through 0x7E or the range 0xA1 through 0xFE (see 2.3.3).

2.3.76 private data: Data, associated with a package, that is used by the methods of that package but is not intended for use by other software.

2.3.77 probe address: The address of a device that is known when the associated FCode program begins execution.

2.3.78 prop-encoded-array: The primitive data type, consisting of a sequence of bytes, used to represent a property value.

2.3.79 property: A descriptive item, consisting of an identifying property name and an associated property value, that represents some characteristic of a device node or of its associated device.

2.3.80 property encoding: A specific data format, defined by this standard, that is used to represent various types of information within a prop-encoded-array.

2.3.81 property name: A text string used to specify, or name, a particular property.

2.3.82 property value: The data portion of a property, stored in property encoding format.

2.3.83 quadlet: A unit of computer data consisting of 32 bits.

2.3.84 root node: The device node that is the root of the device tree.

2.3.85 saved program state: The set of information, necessary to begin or resume the execution of a client program, describing the machine state (including CPU registers) that will be established upon resumption or initiation of client program execution.

2.3.86 script: An area of nonvolatile memory reserved for user interface commands to be evaluated at particular times during the Open Firmware start-up sequence.

2.3.87 secondary boot program: A client program whose purpose is to load and execute another client program.

2.3.88 select: Context determines which of the following applies:

- To establish a particular device node as the active package.
- To establish a particular device as either the console input device or console output device.
- To establish a particular instance as the current instance.

2.3.89 stack: A last-in, first-out (LIFO) data structure. This document sometimes uses the phrase “the stack” to mean “the Forth data stack”.

2.3.90 stack diagram: A notational convention used to show the effect of a Forth word on the data stack and, where applicable, the input buffer and return stack. See ANSI X3.215-1994 for syntactic details.

2.3.91 static method: A method that can be executed without an instance of its package.

2.3.92 support package: A package, residing in the `/packages` node, that provides a service to assist in the implementation of a particular device type.

2.3.93 terminal emulator: Software that makes a frame-buffer appear to have the characteristics of a cursor-addressable text terminal.

2.3.94 text window: That portion of a display screen that is being used to display text (human-readable characters and words).

2.3.95 tokenizer: A development tool that converts FCode source code into a (binary) FCode program.

2.3.96 trace: To execute the component steps of a computer program, displaying the state of selected system resources after each step.

2.3.97 unit address: The component of a node name that indicates the device node's position within the address space defined by its parent node.

2.3.98 user interface: The portion of a firmware system that processes commands entered by a human. (The user interface defined by this standard consists of a Forth command interpreter plus a set of Forth words for interactively performing various Open Firmware functions. In its fully elaborated form, the Open Firmware user interface gives interactive access to all Open Firmware capabilities.)

2.3.99 value word: A Forth word created by the defining word **value**. (A **value** word, when executed by itself, places a numeric value on the data stack, much like a **constant**. The numeric value of a **value** word is changed by preceding it with the Forth word **to**.)

2.3.100 var-aligned: Alignment suitable for the storage of a Forth variable.

2.3.101 virtual address: The address that a program uses to access a memory location or memory-mapped device register. (Depending on the presence or absence of memory mapping hardware in the system, and whether or not that mapping hardware is enabled, a virtual address may or may not be the same as the physical address that appears on an external bus.)

NOTE—The use of the term *virtual address* in this document does imply that Open Firmware necessarily uses mapping hardware if it is present on a particular system.

2.3.102 word: *See:* **Forth word**.

2.3.103 word name: A text string denoting a particular Forth word.

2.4 Forth language assumptions and conventions

This subclause contains basic rules for numeric interpretation, syntax, stack comments and so on. The following conventions and assumptions apply to all commands in this document (unless specified otherwise).

2.4.1 General conventions

- All numbers in this document are decimal numbers unless indicated otherwise. Hexadecimal (base sixteen) numbers are indicated in the text with a “0x” prefix, i.e., 0x1234, or with the suffix “(hex)”. Note that this is a documentation convention: The *command interpreter* (described in 7.2) is not required to interpret numbers with a “0x” prefix or a “(hex)” suffix. The **h#** command (i.e., **h#** f f e 0) may be used to specify hex numbers when using the command interpreter.
- All numbers on the stack are signed integers, $_32$ bits, unless stated otherwise.
- The word “address” refers to a *virtual address* that occupies one cell, unless otherwise specified. The initial value of **base** when a Forth or *FCode program* begins execution is not defined; consequently, the program should explicitly set the desired **base** value if needed for numeric input or output.
- The actual *alignment* value for a *var-aligned* address is implementation-specific, but shall be at least doublet (2-byte) aligned.
- Additional notation conventions are described in A.1.2 of annex A.

2.4.2 Data types

The following data types represent numerical values or bit patterns:

- **byte**. An 8-bit value.
- **cell**. A value consisting of at least 32-bits, capable of representing a *virtual address*. The actual cell size for a particular ISA shall be specified in the ISA supplement for that ISA.
- **doublet**. A 16-bit value.
- **quadlet**. A 32-bit value.

2.4.3 ANS Forth compatibility

This Open Firmware standard follows the conventions and guidelines laid out in ANS Forth, with the following clarifications (items marked with an asterisk [*] are implementation-specific):

display after return of ACCEPT and EXPECT :	advance to beginning of next line
aligned address requirements:	*
behavior of EMIT for non-graphic values:	*
case sensitivity:	case-insensitive
character-aligned address requirements:	none
character set, character editing of ACCEPT and EXPECT :	see 7.2.1
character set:	ISO 8859-1 : 1987
control-flow stack:	*
console input and output device:	*
exception abort sequence:	*
input line terminator:	*
display after input terminates in ACCEPT and EXPECT :	advance to beginning of next line
maximum string length for ENVIRONMENT? , in characters:	31
method of selection of console input and output device:	see 4.2.5
methods of dictionary compilation:	*
methods of memory space management:	*
minimum search order:	*
number of bits in one address unit:	8 bits
ranges for n, +n, u:	_ 32 bits (two's complement)
ranges for d +d ud:	_ 64 bits (two's complement)
size of one cell in address units:	_ 4
size of one character in address units:	1
size of the console input device's text-input buffer:	128
size of the pictured-numeric-output-string buffer:	_ 66
size of the scratch area whose address is returned by PAD :	N/A
list of non-standard words using PAD :	N/A
treatment of control characters for space-delimited parsing:	control characters are always treated as spaces when parsing with space as the delimiter
system prompt:	ok
type of division:	floored
values returned after arithmetic overflow:	2's complement wraparound for addition/subtraction, unspecified for multiplication/division
maximum size of a parsed string:	255
size of buffer at WORD :	80
values of STATE when true:	-1

whether the current definition can be found after **DOES**>: *

source and format of display by **SEE**: *

Number conversion is case-insensitive; e.g., “a” and “A” are equivalent within hexadecimal numbers.

The *data stack* and return stack shall each be at least 64 entries deep.

2.5 Hardware assumptions

- **Processor.** Open Firmware requires at least one instruction-set processor for execution of the functions described in this document. While this model can apply to systems with more than one processor, the Open Firmware execution model assumes a single thread of execution on one processor. The processor may have associated *memory management units (MMUs)* and caches.
- **Memory.** Open Firmware requires some amount of random-access memory (RAM) for storage of data and program extensions. The firmware program itself is stored in, and executes from, either ROM, RAM, or some arbitrary combination of the two.
- **Console devices.** The optional Open Firmware interactive *command interpreter* requires a character input device and a character output device for use as the console.
- **Timer device.** Certain Open Firmware functions benefit from the presence of an optional timer device capable of interrupting the processor at periodic intervals. A timer resolution of at least 1 ms is preferred, but a resolution as coarse as 100 ms is still useful.
- **Nonvolatile memory.** Certain optional Open Firmware features require some amount (typically between 1 and 8 Kbytes) of nonvolatile memory. Examples of nonvolatile storage devices are battery-backed memory, electrically erasable read-only memory (EEPROM), and reserved space on disk drives.
- **Boot device.** The booting process requires a device capable of supplying the *client program* to Open Firmware. Examples of boot devices are disk drives, ROM, network interfaces, and serial communication links.
- **Other devices.** In addition to the devices listed above, Open Firmware may support other types of devices, but they are not generally required for basic operation.
- **Built-in vs. plug-in devices.** The devices that are used by Open Firmware may, in most cases, be either *built-in devices* or *plug-in devices*. The *firmware device drivers* for built-in devices are usually included as permanent parts of the system’s Open Firmware implementation. The drivers for plug-in devices are typically stored on the device itself, and thus are automatically installed and removed when the device is installed and removed.

3. Internal structure

The functions provided through the various external interfaces are based on, and described in terms of, the following elements:

- **Forth programming language.** Basic software execution model.
- **Forth dictionary.** Globally available functions.
- **Device tree.** System hardware description and drivers.
- **Configuration variables.** Storage for the user's configuration choices.

3.1 Forth dictionary

The Forth dictionary is a set of *Forth words* (software procedures in the Forth programming language). Most of the functions available through the user and *device interfaces* correspond directly to words in the Forth dictionary. Other words in the dictionary may serve as internal support functions to assist in the implementation of the specified interface functions.

Some or all of the words may have externally visible names, allowing them to be executed by name from any of the three external interfaces.

The Forth dictionary is extensible; a user or *device driver* may add new Forth words to the dictionary.

Generally, words within the Forth dictionary are globally available; they may be called directly, from any context, at any time. This is in contrast to *package methods* (described later), whose calling rules are more restricted.

3.2 Device tree

The *device tree* is a hierarchical data structure that describes the system hardware, describes user configuration choices, contains *firmware device drivers* for hardware devices, and contains support routines for use by those drivers.

The device tree's structure mimics the organization of the system hardware, viewed as a hierarchy of interconnected buses and their attached devices.

The device tree consists of a set of *device nodes* that are interconnected to form a tree. An individual device node represents either a hardware bus, a hardware device, or a set of interrelated software procedures.

3.2.1 Device nodes

The root of the *device tree* is a node representing the machine's main physical address bus.

Each *device node* may have *children* (other device nodes directly subordinate to it), *properties* (externally visible data structures describing the node and its associated device), *methods* (software procedures that may be used to access the device), and *data* (initial values of *private data* used by the methods).

Device nodes with children are called hierarchical nodes. A node's *parent* is the node to which it is attached in the device tree. The *root node* has no parent. Device nodes without children are called *leaf nodes*.

A node with children usually represents a bus and its associated controlling hardware. Each bus is assumed to define a physical address space; each device connected to that bus has a distinct physical address within that space, uniquely distinguishing the particular device from other devices on that bus. The form of a physical address is bus-specific. The children of a bus node are distinguished from one another with software representations of the same

physical addresses that the bus device uses to distinguish attached devices. Open Firmware uses several different representations of addresses with similar meanings but different forms:

- **text representation.** The human-readable form of a physical address. The format is bus-dependent. For example, some buses use a comma-separated list of numbers represented as ASCII text in hexadecimal notation.
- **stack representation.** Used to pass arguments to and results from *Forth words*. This form usually consists of one or more binary numbers on the *data stack*.
- **property-encoded representation.** Used to communicate with *client programs* through *property* values. This form usually consists of a sequence of binary numbers stored within an array of bytes.

The forms of these representations differ, but their meanings are the same: they represent *physical addresses* within a bus's *physical address space*.

The details of these different representations differ from bus to bus, depending on the addressing characteristics of the individual bus. Specifications of Open Firmware address representations for several standard buses are specified in supplements to this document (see the IEEE P1275.x documents in 2.1).

The device tree initially contains nodes for a computer system's *built-in devices*. Additional nodes for *plug-in devices* are added later by the probing process.

Some nodes in the device tree do not represent physical devices. These system nodes are used instead for various general *firmware* purposes. System nodes do not have physical addresses. Their *node names* have a *driver name* field but not a *unit address* field.

3.2.1.1 Node names

Each node in the *device tree* is identified by a *node name* using the following notation:

```
driver-name@unit-address:device-arguments
```

The *driver name* field is a sequence of between one and 31 letters, digits, and punctuation characters from the set “, . _ + -”. Uppercase and lowercase characters are distinct. By convention, this name includes the name of the device's manufacturer and the device's model name separated by a “,”. (See the definition of “**name**” in annex A.) Inclusion of the manufacturer name within driver name is especially important for devices intended to plug into standard buses, as this minimizes the risk of accidental name collisions. It is somewhat less important for devices that are permanently attached to a particular system.

If the manufacturer name component is omitted (i.e., there is no “,” within the driver name), the convention is to assume that the manufacturer name is the same as that of the nearest ancestor node (*parent node*, or grandparent node, etc.) that has an explicit manufacturer name component.

The *unit address* field is the text representation of the *physical address* of the device within the address space defined by its parent node. The form of the text representation is bus-dependent.

The *device arguments* field is a sequence of printable characters other than “/”, “:”, and “@”. Uppercase and lowercase characters are distinct. The length is arbitrary. The device arguments field is interpreted by the driver and typically represents additional device information, such as partition name or protocol. The device arguments field and its preceding “:” may be omitted when specifying a node name, as it does not serve to identify the *device node*; instead, it is passed to that node's **open** method if that driver is opened. By convention, “,” is used to separate subfields within the device arguments field.

3.2.1.2 Path names

A particular node is uniquely identified by describing its position in the *device tree* by completely specifying the path from the *root node* through all intermediate nodes to the node in question. The textual representation of a such a path is called a *device path*. Device paths are composed as follows:

```
/node-name0/node-name1/ ... /node-nameN
```

When Open Firmware is searching for a particular node, and either the *driver name* or *@unit-address* portion of the *node name* is not given, Open Firmware shall arbitrarily choose a node matching the portion that is present.

The complete, unambiguous device path of a *device node* lists the node names of all devices in the path from the root of the tree to the desired device. A device path is represented as a list of node names separated by “/”, e.g., “/sbus@1,f8000000/SUNW,esp@0,800000/sd@1,0”.

The root of the tree is the *root node*, which is not named explicitly but is indicated by a leading “/”. The root node itself is named by the pathname “/”.

The *user interface* and the *client interface* both use pathnames to identify particular device nodes.

3.2.1.3 Aliases

A *device alias*, or simply *alias*, is a shorthand representation of a *device path*. For example, the alias **disk** may represent the device path “/sbus@1,f8000000/esp@0,400000/sd@3,0:b”. An alias represents an entire device path, but that path need not refer to a *leaf node*. Each implementation may have a number of predefined aliases for devices commonly installed on that machine. Users may create, modify, and examine aliases with the **devalias** command. User-defined aliases are lost after a system reset or power cycle, but the effect of a persistent alias may be achieved by storing the **devalias** command in the *script*, either manually or with the **nvalias** command. The term *device-specifier* denotes a string that is either a device path, an alias, or an alias that refers to a non-*leaf node* followed by additional *node-name* components.

An *alias* name is a sequence of printable characters other than “/”, “\”, “:”, “[“, “[”], and “@”. An alias value is a device path.

3.2.2 Packages

A *package* is the combination of a device node’s properties, *methods*, and *private data*. In most cases, the terms package and *device node* may be used interchangeably. The term device node is typically used when the emphasis is on the node as a part of the *device tree*; the term package is used with emphasis on the use of the node’s driver methods. The text string that identifies a device node is called a *device path*. The numerical identifier of a device node is called a *phandle*.

The “type” of a package is the list and interface description of its externally visible methods together with its properties. Several distinct packages may implement the same interface. For example, there may be two display *device driver* packages, each implementing the standard display *device interface*, but for different types of display hardware. From a usage standpoint, the two packages are equivalent, even though their internal implementations may differ widely.

3.2.2.1 Properties

Properties describe characteristics of hardware devices, software, and user choices. Properties are externally visible; both *firmware* procedures and *client programs* may inspect and perhaps modify properties.

Each property consists of a *property name* and its associated *property value*.

3.2.2.1.1 Property names

The *property name* is a human-readable text string consisting of one to thirty-one printable characters. Property names shall not contain uppercase characters or the characters “/”, “\”, “:”, “[“, “[” and “@”.

Properties are accessed by name. Given a string, it is possible to determine whether or not there is a property with that name in a particular *device node*, and if so, its value.

This standard defines some property names and the meanings of their values; properties with names that are not defined by this standard may be used to convey other information at the developer’s discretion.

Property names beginning with the character “+” are reserved for use by future revisions of this standard.

Each device node has at least one property, whose property name is the string “**name**”, and whose value is a text string naming the device. The value of this “**name**” property is the *driver name* component of the *node name* that identifies the device in device pathnames.

3.2.2.1.2 Property values

The *property value* is an array of zero or more bytes containing the information associated with that *property*. The meaning of those bytes depends on the particular property.

This standard defines standard ways to encode various types of information in property value byte arrays, and procedures for performing the encoding and decoding process. The encoding technique is called *property encoding*. Property encoding has provisions for encoding text strings, integers, byte arrays, and various derived types that are composed by concatenation of those primary data types.

The property-encoding format is independent of hardware byte order and *alignment* characteristics. The encoded byte order is well-defined (in particular, it is *big endian*). Individual items are concatenated to form composed types without any “padding” for alignment reasons.

A property may have a null value, i.e., a byte array of length zero. Such properties usually convey true/false information. The presence of the property signifies *true*, and its absence signifies *false*.

The property encoding rules are as follows:

- **byte array.** An array of bytes is encoded in a property value byte array by storing the successive bytes of the input array into successive locations in the property value byte array.
- **32-bit integer.** A 32-bit integer is encoded into a property value byte array by storing the most significant byte at the next available address, followed (at address+1) by the high middle byte, the low middle byte, and (at address+3) the least significant byte.
- **text string.** A text string consisting of n printable characters is encoded into a property value byte array by storing the n characters at successive locations in the array, followed by a null byte (of binary value zero) denoting the end of the string.
- **composite values.** A succession of individual data items is encoded into a property value byte array by encoding the individual items in sequence. No alignment or padding is performed (i.e., the items are “packed”); each successive item immediately follows its predecessor.

This standard specifies functions for performing these and other derived encodings and for performing the inverse decoding operations. The program that creates a property and the program that uses it must agree on what information is contained in the value of a property of a particular name and on the order in which that information appears. The property encoding and decoding functions do not describe the meaning of the information; they simply allow it to be expressed in an ISA-independent manner.

3.2.2.2 Methods

Methods are named software procedures that control hardware devices or provide other services. Each *device node* may have zero or more methods.

The name space for a given device node's methods is distinct from the name space of its *properties*.

Some device node methods are externally visible in that they may be invoked by software entities outside the device node. Other methods are for internal use only and may be invoked only by other methods of the same device node.

The list of methods for a particular device node forms a Forth **wordlist**. Each method is a *Forth word*. Arguments to and results from device methods are passed on the Forth stack. The method lists for different device nodes are disjoint from one another. Although different device nodes often contain methods with identical names (for example, many nodes contain a **selftest** method), those individual methods are distinct.

In general, before a *package's* methods can be used, the package must be *opened*, thus creating an *instance* of the package. However, it is possible to define methods that can be used without opening their packages; such methods are called *static methods*. A static method can not refer to any instance-specific data, nor can it execute any function that implicitly refers to the *current instance*. A static method can call another static method, and it can call any method in a package that has been opened.

This standard defines several methods with predefined meanings as given in this clause.

3.2.2.3 Private data

Private data is used by *package methods* to maintain internal information. Unlike *properties*, which can be accessed by external software, private data can not be directly accessed from outside the package; rather, any access to package data is mediated by the package's methods. Private data can be instance-specific or static.

3.2.2.3.1 Instance-specific data

When a *package* is *opened*, memory is allocated for its instance-specific data. The contents of that memory can be changed without affecting any other instances of that package. Instance-specific data can be either initialized or zero-filled.

A package contains initial values for its instance-specific data. When a package is opened, these initial values are copied into the corresponding locations within the memory allocated for that instance. Subsequent modifications of the instance's initialized data do not affect the initial values contained within the package.

The *Forth words* **variable**, **value**, and **defer**, in conjunction with **instance**, and their *FCode* equivalents, create initialized data items.

When a package is opened, the locations within the memory allocated for that instance corresponding to the zero-filled data are set to zero.

The Forth word **buffer:**, in conjunction with **instance**, and their *FCode* equivalents, creates zero-filled data items.

3.2.2.3.2 Static data

Static data is shared among all instances of a particular *package* and persists even when no instance exists. Static data may thus be used to communicate between different instances of the same package. This includes two instances that exist simultaneously as well as two instances that exist at different times.

3.2.2.4 Package creation

Each *package* is a *device node* in the *device tree*. Packages implementing *device drivers* are located in the device tree as children of the device node for the bus on which the device resides. Packages implementing utility functions not associated with any specific device are usually located as children of the **/packages** device node, which exists as a place to put those utility packages.

New packages are created during the probing portion of the system start-up sequence. The process of creating a new package involves the following:

- a) Creating a new “empty” device node at the appropriate location in the device tree and making it the *active package*.
- b) Interpreting an *FCode program* to define its *methods* and *properties* and allocating storage for its data.
- c) Finishing the package to “freeze” the initial values of its instance-specific data.

At any given time, if there is an active package,

- Newly created *Forth words* become methods of the active package.
- Newly created *Forth variables*, values, buffers and **defer** words may define either static or instance-specific data areas. The default is static. Instance-specific data is allocated if the defining word is preceded by the **instance** modifier.
- If there is a *current instance*, newly created properties are added to the package from which that instance was created; otherwise, newly created properties are added to the active package.
- The process of searching for *Forth words* considers first the methods of the active package, followed by globally visible words.

If there is not an active package:

- Newly created *Forth words* are globally visible (i.e., not specific to any package).
- Newly created *Forth variables*, values, buffers, and **defer** words allocate global storage (not associated with any particular package).
- If there is a current instance, newly created properties are added to the package from which that instance was created; otherwise, new properties cannot be created.
- The process of searching for *Forth words* considers only globally visible words.

There is always an active package when an *FCode program* is being evaluated. When a new package is created by probing an *FCode program*, the new package is placed in the device tree as a child of the hierarchical device that performs the probing. (In general, hierarchical devices are responsible for knowing how to probe their children.)

3.2.3 Package instances

In most cases, in order to use a *package*, the package must be *opened*, thus creating an *instance* of that package. A *package instance* consists of a copy of the package’s *private data*, copies of any arguments that were provided when the instance was created, and linkage information that allows the package instance to locate an instance of its parent device’s package. The numerical identifier of an instance is called an *ihandle*. In general, when a package is opened, all of the packages in the path from the *device tree* to that package are opened also.

Several instances of the same package may be in use simultaneously, each with its own separate copy of the package’s private data and instance arguments.

By analogy to traditional operating systems, a package is similar to a program residing in a disk file, and an instance is similar to a running “process” or “task”. Similar to the way that multiple independent processes may be created from a single program, multiple independent instances may be created from a single package.

3.2.3.1 Instance chains

A *package* is *opened* from a *device path* (or equivalent *device alias*) that specifies the path from the root of the *device tree* to the device in question. Each component of that path, beginning at the root, is opened, creating an *instance* for each device in the path. The instances are linked together so that each *package instance* may locate the instance of its parent.

When an instance is no longer needed (i.e., the program that opened a package decides that it will no longer need the function provided by that package), the instance may be *closed*, thus freeing the memory used by its *private data* and perhaps deactivating devices controlled by that package or its parents. An instance may be closed individually or the entire instance chain to which it belongs may be closed. In the latter case, the instances in the chain are closed in the order opposite to the order in which they were opened. In other words, an instance is closed, and then its parent instance is closed, and then its parent's parent, and so on.

3.2.3.2 Instance methods

Before using a *package method*, in most cases the package must first be *opened*, thus creating an *instance*. The instance is represented by an *ihandle*, a numerical value that refers to a particular instance. At any given time, one instance, at most, may be the *current instance*. The *private data* of the current instance is accessible; the private data of other instances is not.

In order to use a package method, its instance must be made current.

To call a method from another method within the same package, no special action need be taken; since the appropriate instance must already be the current instance for the calling method to run, the called method may be invoked directly, without changing the current instance.

To call a package method from the “outside” (i.e., from some execution context other than the instance containing the method in question), a different approach is used. The caller identifies both the method to be called and the instance that is to be current for the duration of that method's execution. There are various commands for calling methods, differing in the forms of method and instance identification. In general, such a command saves the *ihandle* of the current instance by pushing it on the return stack, makes the called instance the current instance, executes the method, and then pops the saved *ihandle* from the return stack, restoring the current instance to that value.

The caller must know the *ihandle* of the instance corresponding to the method to be called. There are two common ways to acquire this knowledge:

- The caller may have opened the package whose method is to be called. The process of opening a package returns the resulting *ihandle*, which the caller may save for later use in calling the *ihandle*'s associated methods.
- The package to be called may be the parent of the calling instance. As mentioned in 3.2.3.1, each instance automatically knows the *ihandle* of its parent.

A *static method* can be executed at any time, regardless of whether or not its package is open. It can be executed directly by other methods within the same package, or its execution token may be passed to **execute** or **catch** or stored in a **defer** word for later execution. There are various ways to determine its execution token in various circumstances, for example, **find-method** or **[']**.'

3.3 Configuration memory

Configuration memory stores information that affects the behavior of various Open Firmware functions according to the user's preferences. The choices are stored in some form of nonvolatile memory, such as electrically erasable PROM or battery-backed RAM.

Open Firmware provides functions for setting the configuration memory through the *user interface* and the *client interface*.

The precise layout of the data stored in configuration memory is not exposed through any of the Open Firmware external interfaces. Configuration memory fields are accessed by name, as with *device-node properties*. This facilitates the addition of new fields and the deletion of fields that are no longer needed, since external software is unaware of precise storage locations and internal storage formats.

3.3.1 Configuration variables

Configuration variables are predefined configuration memory choices that affect Open Firmware in well-defined ways.

The list of configuration variables varies from system to system. Such choices often include the device from which to boot the operating system, the device to use as the console, and the amount of memory to be tested.

For each configuration variable supported by a particular implementation, Open Firmware maintains both the default value of the variable, typically stored in ROM, and the current value, stored in configuration memory. The default values are useful for restoring the settings to their factory defaults, which may be done either upon user command or automatically, if the *firmware* determines that the contents of configuration memory have been corrupted.

3.3.2 Custom start-up script

The custom start-up *script* is a portion of configuration memory that can contain an arbitrary user-supplied Forth language program. That program can be executed automatically as part of the Open Firmware start-up sequence. It can be used for a variety of purposes, including work-arounds or patches for *firmware* or *device driver* bugs, user enhancements, or customizations beyond the capabilities of the *configuration variables*.

The custom start-up script occupies the portion of configuration memory that is not dedicated to other purposes such as configuration variables. Its length can vary from zero up to the amount of available configuration memory. The custom start-up script can execute essentially any of the commands that are present in the *user interface*.

The contents of the custom start-up *script* can be set either through the *client interface* or with the text editor that is an optional part of the user interface.

3.4 Standard property names

These standard *property names* apply to all *device nodes*, regardless of type; particular types of devices have additional *properties* specified in subsequent sections. Most of the following properties are optional; a *package* includes the property to declare a particular characteristic if desired. The “**name**” property is required for all packages.

The *property value* data formats for these properties are described in their glossary entries in annex A.

<code>"name"</code>	Standard <i>property name</i> to define the name of the package.
<code>"reg"</code>	Standard <i>property name</i> to define the package's registers.
<code>"device_type"</code>	Standard <i>property name</i> to specify the implemented interface.
<code>"interrupts"</code>	Standard <i>property name</i> to define the interrupts used.
<code>"model"</code>	Standard <i>property name</i> to define a manufacturer's model number.
<code>"address"</code>	Standard <i>property name</i> to define large virtual address region(s).
<code>"compatible"</code>	Standard <i>property name</i> to define alternate " name " property values.
<code>"status"</code>	Standard <i>property name</i> to indicate the device's operational status.

3.5 Standard system nodes

Standard system nodes are as follows:

/

This is the *root node*. It is the root of the *device tree*; all other nodes descend from it. Its lists describe basic machine *properties* such as model, revision, and manufacturing date. The *physical address space* defined by this node is the main physical address bus of the system. The methods of this node provide mapping services for the main system bus. On a uniprocessor machine this node may also contain properties describing the CPU. On a multiprocessor machine, each CPU would have its own node below the root node.

Property name	Encoding	Value
name	string	Name of system's manufacturer and model number, e.g., "ABC,mat750".

/aliases

The property list of this node is the devalias list. For each property in this node, the *property name* is the name of an alias, and the property value is the alias's expansion, encoded as with "**encode-string**".

Property name	Encoding	Value
name	string	"aliases"

/openprom

Describes the Open Firmware.

The standard properties of this node are as follows. Additional system-dependent properties may also be present.

Property name	Encoding	Value
name	string	"openprom"
model	string	Describes manufacturer and revision level of firmware. See model property.
relative-addressing	(none)	Presence of this property indicates that the Open Firmware supports bus-relative physical addressing (early precursors to Open Firmware used a different addressing scheme).

/options

The properties of this node are the system's *configuration variables*. The property names are the names of those configuration variables, and the *property values* are the output text representations (see 7.4.4.1) of those configuration variables. Client programs may examine and change the values of these properties with `getprop` and `setprop`, thus examining and changing the values of the corresponding configuration variables. Similarly, users may examine and change them with `printenv`, `setenv`, and `$setenv`.

Property name	Encoding	Value
name	string	"options"

/chosen

Has properties describing parameters chosen or specified at runtime.

Property name	Encoding	Value
name	string	“chosen”
stdin	int	<i>Handle</i> for the console input device. May be used with the <i>read client interface</i> function to read characters from that device.
stdout	int	<i>Handle</i> for the console output device. May be used with the <i>write client interface</i> function to write characters to that device.
bootpath	string	The <i>device path</i> for the last boot device. Client programs may use this property to locate the device they were booted from. This property may be modified to select a different boot device.
bootargs	string	The arguments to the last boot command. This property may be modified in order to alter the options to the boot command, which options may be interpreted by the Open Firmware or by the client program(s).
memory	int	<i>Handle</i> for the package that describes the allocation status of physical memory. See 3.7.6.
mmu	int	<i>Handle</i> for the package, if any, that the firmware is currently using for memory management. This property shall not be present if there is no such package. See 3.6.5.

/packages

This node may have several children, but instead of describing a physical bus, this node serves as a parent node for *support package* nodes (both standard support packages and system-specific ones). The children of this node are general-purpose support packages not attached to any particular hardware device. The physical address space defined by this hierarchical node is the trivial one: all addresses are the same (0,0). Its children are distinguished by name alone.

Property name	Encoding	Value
name	string	“packages”

3.6 Standard packages

A standard *package* implements a defined set of *properties* and *methods*, thus providing a service that may be used by other *firmware* components. There are three kinds of standard packages: standard system *nodes*, *devices types*, and standard *support package*.

- **Standard system nodes.** The purpose of a standard system node is to contain system-level information. Most standard system nodes contain only properties, with no executable methods. The **/packages** standard system node contains the standard support packages (described later).
- **Device type packages.** The purpose of a typical package is to provide a *device driver* for a particular hardware device. A standard device type is a specification for the interface presented by packages of that type, so that other firmware components defined by this standard can use such packages in a predictable and useful fashion. Typically, some such packages are preconfigured into a boot firmware system by the manufacturer, and others are added later by evaluating *FCode programs*. The preconfigured packages correspond to *built-in devices*, and those that are added later correspond to *plug-in devices*. The particular set of properties and methods depends on the package’s device type. This standard defines several device types, their corresponding sets of properties and methods, and the ways in which packages implementing those devices types are used by other Open Firmware components. A particular firmware system may have several distinct packages implementing a particular device type. For example, a system might have several different kinds of disk controllers, each with a package implementing the disk device type.
- **Standard support packages.** The purpose of a standard support package is to assist in the implementation of packages of standard device types. Standard support packages are preconfigured into the boot firmware system residing (with the exception of the display driver support packages) as children of the **/packages** node. A standard support package is somewhat analogous to a “subroutine library.” This standard defines several standard support packages, each with its own defined set of properties and methods. Typically, a particular system

has exactly one of each such package (since support packages are located by name in the “flat” name space of the **/packages** node, there is no way to find or use more than one of each).

This clause lists several standard device types and several standard support packages and describes how they are used. The definitive specification of those device types and standard support packages is given in the glossary in annex A. This clause also describes a template for a set of methods that are commonly used by device types corresponding to particular buses. The individual methods in that set are defined by this standard (in annex I), but the definition of particular standard device types (groupings of methods) that include those methods is left to other related standards, such as bus-specific supplements.

3.6.1 Parent methods

When a *package* is *opened* with **open-dev**, all of the packages in the path from the root of the *device tree* to that package are opened also, resulting in an *instance chain*. Similarly, when that instance chain is *closed*, all the packages that it represents are closed. This implies that any *device node* with children that can be opened with **open-dev** must itself have **open** and **close** methods; otherwise, it would not be possible to open those children.

This standard explicitly defines one such node, the *root node*. Typical systems have additional such nodes, usually corresponding to standard expansion buses. The details of those nodes are the subject of related standards, or may be vendor-dependent for proprietary buses, but those nodes must have **open** and **close** methods.

The children of the **/packages** node are *support packages*, which are opened with **open-package** instead of **open-dev**. Since **open-package** does not open the entire path, the **/packages** node need not have **open** and **close** methods.

In many cases, these **open** and **close** methods can be very simple; often just returning **true** with no other action for **open** and doing nothing for **close**. Such simple implementations are appropriate for “hardwired” bus hardware where the bus adapter hardware has little or no software-visible “state”.

A very similar requirement is imposed by the semantics of pathname resolution. In order to match the *unit address* component of a *node name*, the parent’s **decode-unit** method is executed, transforming the text representation of the unit address into its numerical form. This implies the need for a **decode-unit** method in any device node that defines a *physical address space* for its children. In most systems, the nodes to which this requirement applies are the same as the ones to which the **open** and **close** requirement applies. However, it is conceivable that a system might have a node with a fixed set of children that are distinguished by name only without needing any form of physical address space. Such a node would not need a **decode-unit** method.

open	(-- okay?)	Prepare this device for subsequent use.
close	(--)	Close this previously opened device.
decode-unit	(addr len -- phys.lo ... phys.hi)	Convert text unit-string to physical address.
encode-unit	(phys.lo ... phys.hi -- unit-str unit-len)	Convert physical address to text unit-string.

3.6.2 Generic methods

Any *package*, regardless of its *device type*, can implement a **selftest** method so that the *user interface test* command can be used to cause its corresponding device to be tested. This standard imposes no requirement on the existence of a **selftest** method in any package, but customer support considerations often demand it.

selftest	(-- ?error?)	Perform self-test for this device.
-----------------	----------------	------------------------------------

The **reset** method can be implemented to put the device in a quiescent state. The **reset** method is not invoked by any standard Open Firmware functions, but may be explicitly executed for particular “problem” devices in particular Open Firmware implementations.

reset	(--)	Put this device into a quiescent state.
--------------	--------	---

3.6.3 Package I/O model

Most input, output, and storage devices are accessed with a byte-oriented “read/write/seek” interface. I/O operations are specified by a starting *virtual address* and a byte count, and the implementation “hides” device-specific details like block sizes and records. A particular device only implements the set of operations that make sense for it; for example, the **read** *method* might not be applicable to a *frame-buffer device*, and the **write** *method* might not be applicable to a CD-ROM.

The *client interface* entries `read`, `write`, and `seek`, described in clause 6, are essentially direct interfaces to similarly named methods of standard *packages*.

3.6.4 Expansion bus device class template

A memory-mapped bus logically extends the processor’s memory address space to include the *devices* on that bus, allowing the use of processor load and store cycles to directly address those devices. The details vary from bus to bus. This standard does not specify the adaptation of Open Firmware to any particular bus, but other related standards do so specify (see 2.1). This subclause lists a set of *methods* that deal with requirements common to most memory-mapped buses. This subclause is intended as a suggested starting point for the development of complete sets of methods for particular buses; also see related standards, such as IEEE Std 1275.2-1994. The methods provide mapping services for establishing the correspondence between processor virtual and device *physical addresses*, allocation of DMA memory, and probing to locate *plug-in devices*.

map-in	(phys.lo ... phys.hi size -- virt)	Map the specified region; return a virtual address.
map-out	(virt size --)	Destroy mapping from previous map-in .
dma-alloc	(... size -- virt)	Allocate a memory region for later use.
dma-free	(virt size --)	Free memory allocated with dma-alloc .
dma-map-in	(... virt size cacheable? -- devaddr)	Convert virtual address to device bus DMA address.
dma-map-out	(virt devaddr size --)	Free DMA mapping set up with dma-map-in .
dma-sync	(virt devaddr size --)	Synchronize (flush) DMA memory caches.
probe-self	(arg-str arg-len reg-str reg-len fcode-str fcode-len --)	Evaluate FCode as a child of this node.

The following properties are specific to this class of *device node*:

“ranges”	Standard <i>property name</i> to define a device’s physical address.
“#address-cells”	Standard <i>property name</i> to define the package’s address format.
“#size-cells”	Standard <i>property name</i> to define the package’s address <i>size</i> format.

3.6.5 Memory management device class template

An MMU is a *device* that performs address translation between a CPU’s *virtual addresses* and the *physical addresses* of some bus, typically the bus represented by the *root node*. In general, the details are both processor-specific and bus-specific. This standard does not specify the adaptation of Open Firmware to any particular MMU, but other related standards may so specify (see 2.1). This standard does not require the presence of an MMU.

This subclause lists a set of *methods* that deal with requirements common to most MMUs. This subclause is intended as a suggested starting point for the development of complete sets of methods for particular MMUs. The methods provide services for fine-grained control of the allocation and mapping of virtual addresses, particularly intended for use by *client programs* through the **call-method** *client interface* service (see also the **“mmu”** *property* of the **/chosen** node). In general, the use of these methods makes a client program system-specific; nevertheless, they are useful in some circumstances. The arguments and results shown are intended as guidelines; particular MMUs might require additional arguments or changes to the arguments shown.

The presence of an MMU node does not imply that the Open Firmware is necessarily using virtual-to-physical address translation hardware.

The following methods, defined in the glossary, are recommended for MMU *packages*:

claim	([virt] size align -- base)	Allocate (claim) addressable resource
release	(virt size --)	Free (release) addressable resource.
map	(phys.lo ... phys.hi virt size mode --)	Create address translation
unmap	(virt size --)	Invalidate existing address translation.
modify	(virt size mode --)	Modify existing address translation.
translate	(virt -- false phys.lo ... phys.hi mode true)	Translate virtual address to physical address.

Additional requirements for the **claim** and **release** methods:

- The address format, *virt*, is a single-cell *virtual address*.
- The allocation length, *size*, is a single cell.
- The allocated resource is a region of virtual address space.

The following properties are recommended for MMU packages:

“available”	The property values are as defined for the standard “ reg ” format, with single-cell virtual addresses. The regions of virtual address space denote the virtual address space that is currently unallocated by the Open Firmware and is available for use by client programs.
“existing”	The value of this property defines the regions of virtual address space managed by the MMU in whose package this property is defined without regard to whether or not these regions are currently in use. The encodings of <i>virt</i> and <i>len</i> are MMU-specific.

NOTE—Freeing virtual address space does not necessarily free any associated physical resource. The correct sequence of operations for freeing mapped memory is to first use **unmap**, thus destroying the translation. Then the physical memory and virtual address space can be freed with the **release** methods of the respective nodes.

3.7 Standard device types

The *device type* of a particular *package* identifies the set of *properties* and *methods* that the package is expected to implement. Any particular package may also implement an arbitrary number of properties and methods in addition to those implied by its device type. The device type of a *node* is given by the *property value* (of type string) of its “**device_type**” property.

It is not necessary for every node to have a “**device_type**” property. If a particular *device* is not useful for any Open Firmware function (e.g., booting, console, probing) then it need not have a device type. For example, Open Firmware has no use for a FAX modem, so such a device does not need a device type. However, there is no restriction preventing it from having a device type so long as its device type is not the same as one of the standard types (i.e., a device should not claim to be something that it is not).

Open Firmware supplies a set of standard *support packages* that assist in the implementation of methods for standard device types in terms of “lower-level” methods that more closely match the native capabilities of some common types of hardware devices. For example, the “**deblocker**” support package implements a byte-oriented **read** method in terms of record-oriented operations on a tape device. A particular implementation of a standard package for a given device type is allowed, but not required, to use the provided support packages.

The following standard device types are defined by Open Firmware. Subsequent subclauses discuss these device types more extensively.

“ device_type ” value	Example	Typical use
“ display ”	bit-mapped frame-buffer	console output
“ block ”	hard disk	booting
“ byte ”	tape	booting
“ network ”	Ethernet interface	booting
“ serial ”	asynchronous serial line	console input and output

Related standards will define additional standard device types. For example, standards specifying the application of Open Firmware to particular expansion buses will define standard device types for those buses (see 2.1).

3.7.1 “display” devices

“**display**” *devices* are user output devices that can display text, perform cursor-positioning operations controlled by embedded ANSI X3.64 escape sequences, and possibly display bit-mapped logos. Examples of “**display**” devices include bit-mapped *frame buffers*, graphics displays, and character-mapped displays. Open Firmware typically uses display devices for console output.

There are several standard *support packages* to assist in the implementation of the standard “**display**” device methods. The *terminal emulator* support package processes a stream of text with embedded ANSI X3.64 escape sequences, converting it to a sequence of calls to primitive display operations such as **draw-character**. For certain types of bit-mapped frame buffers, the “**fb8**” support package implements those primitive operations. Finally, the “**font**” support package provides a default bit-mapped font suitable for use with the “**fb8**” support package.

The “**display**” glossary entry (annex A) specifies the set of methods for this *device type*. For reference, those methods are listed as follows:

open	(-- okay?)	Prepare this device for subsequent use.
close	(--)	Close this previously opened device.
write	(addr len -- actual)	Write memory buffer to device, return actual byte count.
draw-logo	(line# addr width height --)	Calls draw-logo routine for this device.
restore	(--)	Restore device to useable state after unexpected reset.

The following *property* is specific to this device type:

character-set device.	Standard <i>property name</i> to specify the character set for this
---------------------------------	---

3.7.2 “block” devices

“**block**” *devices* are nonvolatile mass storage devices whose information can be accessed in any order. Examples of “**block**” devices include hard disks, floppy disks, and CD-ROMs. Open Firmware typically uses “**block**” devices for booting.

Although standard *packages* of the “**block**” *device type* present a byte-oriented interface to the rest of the system, the associated hardware devices are usually block-oriented; i.e., the device reads and writes data in “blocks” (groups of, for example, 512 or 2048 bytes). The standard “**deblocator**” *support package* assists in the presentation of a byte-oriented interface “on top of” an underlying block-oriented interface, implementing a layer of buffering that “hides” the underlying block length.

“**block**” devices are often subdivided into several logical “partitions”, as defined by a *disk label*—a special block, usually the first one—containing information about the device. The driver is responsible for appropriately interpreting a disk label. The driver may use the standard “**disk-label**” support package if it does not implement a specialized label. The “**disk-label**” support package interprets a system-dependent label format. Since the disk-booting protocol usually depends upon the label format, the standard “**disk-label**” support package also implements a **load method** for the corresponding boot protocol.

The “**block**” glossary entry (annex A) specifies the set of methods for this device type. For reference, those methods are listed as follows:

open	(-- okay?)	Prepare this device for subsequent use.
close	(--)	Close this previously opened device.

read	(addr len -- actual)	Read device into memory buffer, return actual byte count.
<i>(continued)</i>		
write	(addr len -- actual)	Write memory buffer to device, return actual byte count.
seek	(pos.lo pos.hi -- status)	Set device position for next read or write .
load	(addr -- size)	Load a client program from device to memory.

3.7.3 “byte” devices

“**byte**” *devices* are sequential-access mass storage devices, typically, tape devices. Open Firmware typically uses byte devices for booting.

Although standard *packages* of the “**byte**” *device type* present a byte-oriented interface to the rest of the system, the associated hardware devices are usually record-oriented; i.e., the device reads and writes data in “records” containing more than one byte. The records may be either fixed length (all records must be the same length) or variable length (the record length may vary from record to record). Tapes may be subdivided into several tape files delimited by file marks.

The standard “**deblocker**” *support package* assists in the presentation of a byte-oriented interface “on top of” an underlying record-oriented interface, implementing a layer of buffering that “hides” the underlying record structure.

The “**byte**” glossary entry (annex A) specifies the set of *methods* for this device type. For reference, those methods are listed as follows:

open	(-- okay?)	Prepare this device for subsequent use.
close	(--)	Close this previously opened device.
read	(addr len -- actual)	Read device into memory buffer; return actual byte count.
write	(addr len -- actual)	Write memory buffer to device; return actual byte count.
seek	(pos.lo pos.hi -- status)	Set device position for next read or write .
load	(addr -- size)	Load a client program from device to memory.

3.7.4 “network” devices

“**network**” *devices* are packet-oriented devices capable of sending and receiving packets (frames) that are addressed according to Local Area Network (LAN) specifications for Media Access Control (MAC) addresses administered by the IEEE Registration Authority.⁸ Open Firmware typically uses “**network**” devices for booting.

The standard “**obp-tftp**” *support package* assists in the implementation of the “**load**” *method* for this *device type*.

The “**network**” glossary entry (annex A) specifies the set of *methods* for this device type. For reference, those methods are listed as follows:

open	(-- okay?)	Prepare this device for subsequent use.
close	(--)	Close this previously opened device.
read	(addr len -- actual)	Read device into memory buffer; return actual byte count.
write	(addr len -- actual)	Write memory buffer to device; return actual byte count.
load	(addr -- size)	Load a client program from device to memory.

The following *properties* are specific to this device type:

⁸ For information on the use of MAC addresses and Organizationally Unique Identifiers (OUI), see IEEE Std 802-1990. To apply for an OUI or MAC address, contact the Registration Authority, IEEE Standards Dept., 445 Hoes Lane, P.O. Box 1331, Piscataway, NJ 08855-1331, USA.

“local-mac-address”	Standard <i>property name</i> to specify preassigned network address.
“mac-address”	Standard <i>property name</i> to specify network address last used.
“address-bits”	Standard <i>property name</i> to indicate network address length.
“max-frame-size”	Standard <i>property name</i> to indicate maximum packet size.

3.7.5 “serial” devices

“**serial**” *devices* are byte-oriented sequentially accessed devices such as asynchronous communication lines (often attached to “dumb” terminals). Open Firmware typically uses “**serial**” devices for console input and output.

The “**serial**” glossary entry (annex A) specifies the set of *methods* for this *device type*. For reference, those methods are listed as follows:

open	(-- okay?)	Prepare this device for subsequent use.
close	(--)	Close this previously opened device.
read	(addr len -- actual)	Read device into memory buffer; return actual byte count.
write	(addr len -- actual)	Write memory buffer to device; return actual byte count.
install-abort	(--)	Begin polling for a console abort sequence.
remove-abort	(--)	Cease polling for a console abort sequence.
restore	(--)	Restore device to useable state after unexpected reset.
ring-bell	(--)	Ring the bell.

3.7.6 Memory

In this context, *memory* refers to traditional RAM, suitable for temporary storage of data. Typically, the aggregate amount of main memory on a system is represented by a single *device node*. The *properties* of that node describe the regions of memory that exist and those that are currently available. The *methods* provide fine-grained control over the allocation of that memory. These allocation methods are intended for use by system-specific programs that need precise control over their use of physical memory. Portable programs must use other functions (e.g., **alloc-mem** and **free-mem**).

The “**memory**” glossary entry (annex A) specifies the set of methods for this *device type*. For reference, those methods are listed as follows:

claim	([phys.lo ... phys.hi] size ... align -- base.lo...base.hi)	Allocate (claim) addressable resource.
release	(phys.lo ... phys.hi size ... --)	Free (release) addressable resource.

The “**memory**” glossary entry (annex A) defines the following *properties*. For reference, those properties are listed as follows:

“reg”	Standard property defining the <i>physical addresses</i> installed in the system without regard to whether or not that memory is currently in use by the Open Firmware or <i>client program</i> .
“available”	Standard “ reg ” format property defining the regions of physical address space that are currently unallocated by the Open Firmware.

3.8 Standard support packages

Support packages are used by other *packages* to implement commonly used functions. With the exception of the support packages related to display *devices*, they are located in the **/packages** *device node*, *opened* with either **open-package** or **\$open-package**, and *closed* with **close-package**.

3.8.1 “disk-label” support package

The “**disk-label**” *package* interprets the *disk label*, interpreting any “partitioning” information contained therein. It is used by “**block**” *device drivers*.

This package uses the **read** and **seek** *methods* of its parent. It defines the following methods:

open	(-- okay?)	Prepare this device for subsequent use.
close	(--)	Close this previously opened device.
load	(addr -- size)	Load a client program from device to memory.
offset	(d.rel -- d.abs)	Convert partition-relative disk position to absolute position.

3.8.2 “obp-tftp” support package

The “**obp-tftp**” *package* implements the Internet Trivial File Transfer Protocol (TFTP) for use in network booting. It is typically used by “**network**” *device drivers*.

This package uses the **read** and **write** *methods* of its parent, and defines the following methods:

open	(-- okay?)	Prepare this device for subsequent use.
close	(--)	Close this previously opened device.
load	(addr -- size)	Load a client program from device to memory.

3.8.3 “deblocator” support package

The “**deblocator**” *package* assists in the implementation of byte-oriented **read** and **write** *methods* for block-oriented or record-oriented *devices* such as disks and tapes. It provides a layer of buffering to implement a high-level byte-oriented interface “on top of” a low-level block-oriented interface. The “**deblocator**” *support package* defines the following methods:

open	(-- okay?)	Prepare this device for subsequent use.
close	(--)	Close this previously opened device.
read	(addr len -- actual)	Read device into memory buffer; return actual byte count.
write	(addr len -- actual)	Write memory buffer to device; return actual byte count.
seek	(pos.lo pos.hi -- status)	Set device position for next read or write .

Any package that uses the “**deblocator**” support package must define the following methods, which the deblocator uses as its low-level interface to the device.

block-size	(-- block-len)	Return “granularity” for accesses to this device.
max-transfer	(-- max-len)	Return size of largest possible transfer.
read-blocks	(addr block# #blocks -- #read)	Read <i>#blocks</i> , starting at <i>block#</i> , from device into memory.
write-blocks	(addr block# #blocks -- #written)	Write <i>#blocks</i> from memory into device, starting at <i>block#</i> .

3.8.4 Terminal emulator support package

The *terminal emulator support package*, if present, shall interpret control sequences as described in annex B.

3.8.4.1 Terminal emulator interface conventions

For historical reasons, the *terminal emulator support package*’s interface conventions differ from those used by other support packages.

A standard *package* of the “**display**” *device* type that uses the terminal emulator support package does not create **open** and **close** *methods* in the usual way. Instead, it executes **is-install** and **is-remove**, which themselves create suitable **open** and **close** methods that, when later executed, automatically install and initialize

the terminal emulator support package. The **selftest** method for such a package can either be created in the normal fashion or by executing **is-selftest**.

is-install	(xt --)	Create open and other methods for this display device.
is-remove	(xt --)	Create close method for this display device.
is-selftest	(xt --)	Create selftest method for this display device.

Instead of acquiring its low-level services with the usual technique of calling methods of its parent, the terminal emulator uses a set of interface **defer** words and **values**. This interface is called the **defer** words interface. A **defer** word is a *Forth word* (or an equivalent *FCode function*) which, when executed, has the effect of executing another Forth word. It is like a variable that executes its contents. The terminal emulator uses a group of **defer** words for invoking display *device driver* routines. When a display device driver is *opened*, it sets the values of those **defer** words so that they later execute the driver's device-specific routines for performing various display operations.

Open Firmware functions that write text to a display device use the normal package methods interface. The **defer** words interface is used for the internal communication between the terminal emulator software and the low-level display management routines.

3.8.4.2 Terminal emulator state variables

The following **value** words are used and/or set by the *terminal emulator*. The “**fb8**” generic *frame-buffer support package* uses them to determine where and how to display characters. Display *device drivers* may use them as needed. A display device driver routine is permitted to change their values temporarily, but the previous values must be restored before that routine exits.

line#, **column#**, **inverse?** and **inverse-screen** are set by the terminal emulator and are used by the driver or the “**fb8**” support package. **#lines** and **#columns** are set by the driver or **fb8-install** and are used by the terminal emulator and the “**fb8**” support package.

line#	(-- line#)	Return the current cursor line number.
column#	(-- column#)	Return the current cursor column number.
inverse?	(-- white-on-black?)	Indicates how to paint characters.
inverse-screen?	(-- black?)	Indicates how to paint the background.
#lines	(-- rows)	Return number of lines of text in text window.
#columns	(-- columns)	Return number of columns of text in text window.

3.8.4.3 Display device low-level interfaces

The *terminal emulator* uses the following **defer** words to access display *device driver* routines. When a display device driver is *opened*, it must set the values of these **defer** words so that they will execute the corresponding device-dependent routines defined by that device driver. Many display device drivers can use the “**fb8**” generic *frame-buffer support package* to do most of the work. In that case, the following **defer** words are set as a group by executing **fb8-install**, and then selected **defer** words, for which the generic implementations are incorrect for that device, are changed as needed.

The text cursor is considered to be between two adjacent characters. For displays that indicate the cursor position by highlighting a particular character, the “true” cursor position is just before the highlighted character.

draw-character	(char --)	Draw a character at the current cursor position.
reset-screen	(--)	Perform frame-buffer device initialization.
toggle-cursor	(--)	Toggle the state of the text cursor.
erase-screen	(--)	Clear the screen.
blink-screen	(--)	Flash the screen.
invert-screen	(--)	Exchange the foreground and background colors.

insert-characters	(<i>n</i> --)	Insert <i>n</i> spaces to the right of the cursor.
delete-characters	(<i>n</i> --)	Delete <i>n</i> characters to the right of the cursor.
insert-lines	(<i>n</i> --)	Insert <i>n</i> blank lines at and below the cursor line.
delete-lines	(<i>n</i> --)	Delete <i>n</i> lines at and below the cursor line.

is-install creates a **draw-logo** *method* in the current *package* that will execute the **draw-logo defer** word. The **draw-logo** method is not invoked by the terminal emulator, but by **banner**.

draw-logo (*line#* *addr* *width* *height* --) Draw (at *line#*) the logo stored at location *addr*.

NOTE—These **defer** words are intended to be called *only* by the terminal emulator. Essentially, this **defer** words interface is a private communication channel between the terminal emulator package and a display device driver that happens to use it. There is no requirement that a given display device driver must use the terminal emulator support package.

3.8.4.4 Frame-buffer support routines

The *frame-buffer* support routines make it easy to implement the low-level display interfaces for certain kinds of “dumb” bit-mapped frame buffers. There are two sets of frame-buffer support routines. One set is for 1-bit-per-pixel frame buffers, and the other for 8-bits-per-pixel frame buffers. The 8-bits-per-pixel routines can sometimes be coerced into service for deeper (e.g., 24-bits-per-pixel) frame buffers as well. It can be difficult to achieve acceptable text display performance with “dumb” frame buffers if the rendering routines are written directly in *FCode*, because each display operation typically changes hundreds of individual pixels. These support routines can alleviate that problem, since their underlying implementation can be in optimized machine code.

The following discussion applies to both the obsolete 1-bit frame-buffer support routines and the 8-bit frame-buffer support routines. When referring to the obsolete 1-bit frame-buffer routines substitute the number 1 for the number 8. The frame-buffer support routines are used as follows:

The display driver *package* determines the *virtual address* of the beginning of the frame buffer (typically, with a mapping operation), sets **frame-buffer-adr** to that address with the *FCode* equivalent of the phrase “`to frame-buffer-adr`”, sets up the font with **set-font**, and then executes **fb8-install** with appropriate arguments describing the width and height of the frame buffer. This establishes behaviors for the **defer** words that comprise the low-level display *device interface*. The display driver package then replaces the behaviors of any of those **defer** words for which it has a better or more appropriate implementation than the one supplied by the frame-buffer support package just installed and corrects the centering if necessary by changing the values of **window-left** and possibly **window-top**.

set-font establishes the font for use by the frame-buffer support routines. Its arguments are typically supplied by **default-font**, thus using the font provided by the system, but a display driver can supply its own font by calling **set-font** with arguments denoting that font. **>font** is used internally by the frame-buffer support packages. It can also be used by display drivers that perform their own rendering (not using the frame-buffer support packages) using the system default font.

default-font	(-- <i>addr</i> <i>width</i> <i>height</i> <i>advance</i> <i>min-char</i> <i>#glyphs</i>)	Return the font parameters for the default system font.
set-font	(<i>addr</i> <i>width</i> <i>height</i> <i>advance</i> <i>min-char</i> <i>#glyphs</i> --)	Set the current font as specified.
>font	(<i>char</i> -- <i>addr</i>)	Return beginning address for <i>char</i> in the current font.

The following **value** words are used internally by both the 1-bit and the 8-bit frame-buffer support routines.

— **frame-buffer-adr** is set by the display driver prior to installing the support routines.

- **screen-height**, **screen-width**, **window-top**, and **window-left** are set by the execution of **fb8-install**. The display driver can change **window-top** and **window-left** afterwards if that is necessary to correct the centering of the display on the screen.
- **char-height**, **char-width**, and **fontbytes** are set by the execution of **set-font**.

Most display driver packages do not directly use **screen-height**, **screen-width**, **window-top**, **window-left**, **char-height**, **char-width**, **font**, or **fontbytes**. For those that do, the primary use is for drivers that install their own routines in place of one or more of the support package routines; such routines often need to know the display and font geometry, and the driver can avoid keeping a duplicate copy of the information by using these values.

frame-buffer-adr	(-- addr)	Return current frame-buffer virtual address.
screen-height	(-- height)	Return total <i>height</i> of the display in pixels.
screen-width	(-- width)	Return total <i>width</i> of the display in pixels.
window-top	(-- border-height)	Return window top border in pixels.
window-left	(-- border-width)	Return window left border in pixels.
char-height	(-- height)	Return the <i>height</i> of a font character in pixels.
char-width	(-- width)	Return the <i>width</i> of a font character in pixels.
fontbytes	(-- bytes)	Return interval between entries in the font table.

3.8.4.4.1 1-bit frame-buffer support routines

The “**fb1**” generic *frame-buffer support package* implements the display device low-level interfaces for frame buffers with 1 memory bit per pixel. The “**fb1**” generic frame-buffer support package is an obsolete feature that is implemented in many existing systems. It is described in annex H. A system may, but need not, implement this support package.

3.8.4.4.2 8-bit frame-buffer support routines

The “**fb8**” generic *frame-buffer support package* implements the display device low-level interfaces for frame-buffers with 8 memory bits per pixel. It assumes that successive memory bytes correspond to successive pixels, possibly with undisplayed bytes at the end of each scan line, and that bytes at lower addresses correspond to pixels to the left. In normal (not inverse) video mode, background pixels are drawn with the value 0x00, and foreground pixels are drawn with the value 0xFF.

Execution of **fb8-install** installs the other routines as the behaviors of the corresponding low-level display device interface **defer** words, and sets the values of **screen-height**, **screen-width**, **window-top**, **window-left**, **#lines**, and **#columns**.

fb8-install	(width height #columns #lines --)	Install all built-in generic 8-bit frame-buffer routines.
fb8-draw-character	(char --)	Implement the “ fb8 ” draw-character function.
fb8-reset-screen	(--)	Implement the “ fb8 ” reset-screen function.
fb8-toggle-cursor	(--)	Implement the “ fb8 ” toggle-cursor function.
fb8-erase-screen	(--)	Implement the “ fb8 ” erase-screen function.
fb8-blink-screen	(--)	Implement the “ fb8 ” blink-screen function.
fb8-invert-screen	(--)	Implement the “ fb8 ” invert-screen function.
fb8-insert-characters	(n --)	Implement the “ fb8 ” insert-characters function.
fb8-delete-characters	(n --)	Implement the “ fb8 ” delete-characters function.
fb8-insert-lines	(n --)	Implement the “ fb8 ” insert-lines function.
fb8-delete-lines	(n --)	Implement the “ fb8 ” delete-lines function.
fb8-draw-logo	(line# addr width height --)	Implement the “ fb8 ” draw-logo function.

4. Internal procedures

Open Firmware's primary task is to control the machine from the time power is applied until the primary operating system has been *loaded* and has taken control of the machine.

In typical operation, Open Firmware performs the following sequence of operations, in the order given:

- a) Initialize and test *built-in devices*.
- b) Locate, initialize, and test *plug-in devices*.
- c) Load and execute a *client program*.
- d) Provide services requested by the client program.

4.1 Forth language environment

The underlying execution model for Open Firmware is the execution model of the Forth programming language. The Forth execution model includes the following items:

- **Dictionary.** The list of *Forth words*.
- **Data space.** The memory used by Forth words.
- **Data stack.** The stack used for parameter passing.
- **Return stack.** The stack used for procedure nesting.
- **Input buffer.** The current line of textual input.
- **Input source.** The source device for textual input.
- **Output stream.** The destination of textual output.
- **Text interpreter.** Processes textual commands.

Open Firmware uses the dialect of Forth described in ANSI X3.215-1994. That document should be consulted for more information about the Forth programming language.

4.2 Start-up sequence

The typical start-up sequence is described in more detail below. Some portions of the start-up sequence may not be present in all implementations. For example, the “probing” process may not be relevant to systems without any provision for *plug-in devices*, and the ability to manually interrupt the start-up sequence is of dubious value if no *user interface* is present.

After the system power is turned on, or the system is otherwise restarted, but before Open Firmware gains control of the machine, other system-dependent *firmware* may be executed. Typically that other firmware tests some portion of the machine before passing control to Open Firmware. The details of such other firmware, the *methods* it uses to pass control to Open Firmware, and the “division of labor” between that other firmware and Open Firmware in the initialization of *built-in devices* and other *devices* that do not use the Open Firmware methods of auto-identification, are outside the scope of this standard.

Upon entry, Open Firmware initializes its own data structures and those devices necessary for its own execution. If the *script* is present and enabled, Open Firmware executes the contents of the script. Open Firmware then initializes a system-dependent set of built-in devices and locates and initializes the system's plug-in devices.

The process of initializing a device generally includes some amount of testing to ensure that the device is functioning correctly.

After the devices are initialized, Open Firmware selects devices for console input and output and displays a start-up message on the console output device. If the preceding initialization/testing steps detected any device failure conditions, messages describing those failures may be displayed on the console output device before the start-up message.

After the console is established, additional initialization and testing operations may be performed. For example, the initialization and testing of large memory regions might be deferred until after the console has been established.

Open Firmware then selects a boot device, uses it to *load a client program* into memory, and executes the client program. Subsequently, the client program uses Open Firmware services via the *client interface*. The sequence may be different in certain circumstances. Some examples follow:

- If a serious hardware failure is detected during an initialization/testing step, the normal start-up sequence may be aborted at a system-dependent step.
- The user may choose to abort the start-up sequence from the keyboard, perhaps to avoid automatic loading and execution of the client program.
- The system may allow the user to dynamically control the extent of various testing steps.
- The execution of the script may modify subsequent portions of the start-up sequence.
- Automatic booting may be disabled by *configuration variables*.

4.2.1 Initial self-test

Initial self-test is whatever testing is performed in the very early stages of the start-up sequence, before Open Firmware gains control of the machine.

The details of the initial self-test sequence are outside the scope of this standard but typically include some amount of “sanity checking” of the processor and the hardware that is closely connected to it. Usually, some portion of initial self-test (perhaps all of it) is written in register-based assembly language, because it must run when the machine first begins to execute instructions and must initialize and test the computer at a very low level.

The details of how this initial self-test transfers control to Open Firmware are not specified by this standard, because the state of the machine at the time of that transfer tends to be quite system-specific. Often, the transfer can be as simple as jumping to a well-known location in ROM.

4.2.2 Firmware initialization

After the machine-dependent initial self-test, Open Firmware gains control of the machine and begins to initialize itself. The precise details of this initialization depend on the implementation and the computer system, but the following steps are often included (in no particular order):

- Determining the memory configuration.
- Selecting and preparing the memory to be used for Forth and Open Firmware data structures like stacks, memory allocation pools, and *device tree* internal structures.
- Initializing various devices (e.g., MMUs, interrupt controllers, timers) that are required for the basic functioning of Forth and Open Firmware.
- Initializing a “fallback” diagnostic output device to display error reports in case an error occurs during *firmware* initialization.
- Testing configuration memory to determine if its contents are valid and, if not, resetting the *configuration variables* contained therein to their default values.

4.2.3 Start-up script evaluation

If the *script* is present and enabled, the Forth program contained therein is evaluated. Normally, after the script is evaluated, the start-up sequence continues. However, it is possible to include in the custom start-up script commands that modify the remainder of the start-up sequence in an essentially arbitrary manner.

The normal Open Firmware start-up sequence is as follows:

- a) Power-on self-test (POST)
- b) System initialization
- c) Evaluate the script (if `use-nvramrc?` is true)
- d) `probe-all` (evaluate *FCode*)
- e) `install-console`
- f) `banner`
- g) Secondary diagnostics and other system-dependent initialization
- h) Default boot (if `auto-boot?` is true)
- i) Invoke the *command interpreter* (if the preceding step returns)

If the *user interface* script feature is implemented, users may modify the portions of the start-up sequence that follow its evaluation.

4.2.4 Plug-in device probing

Probing is the process of determining the presence and characteristics of *plug-in devices*. For a *device* that uses the Open Firmware identification *methods*, the bulk of the probing process consists of the execution of an *FCode program* associated with the device.

Some devices are always attached to a system, and other plug-in devices are optional. The *device nodes* and associated drivers for permanently attached devices usually reside in the main Open Firmware system ROM, where they are permanently installed in the *device tree*. The device nodes for plug-in devices are not permanently installed in the device tree; Open Firmware must locate those devices before using them.

Probing is the process of locating plug-in devices and installing their device nodes in the device tree. This involves selecting a bus device and using it to test for the presence of devices attached to that bus.

It is possible for a plug-in device itself to be a bus device. For example, an SBus (IEEE Std 1496-1993 [B2]) plug-in device might be an adapter for a VMEbus (IEEE Std 1014-1987 [B1]) in an external card cage. Before the children of a bus device can be probed, the device itself must already exist in the device tree. For the preceding example, the SBus would have to be probed to locate the VMEbus adapter and install its device node before the VMEbus could be probed for its children.

The device tree is thus constructed incrementally, beginning from the permanent part representing *built-in devices* and proceeding outward toward the leaves of the tree.

The system default probing sequence is automatically executed during the start-up sequence, unless overridden.

Each bus device that is capable of accepting plug-in devices defines a device method for probing its subordinate devices. In addition, bus devices may define device-dependent *user interface commands* for probing.

4.2.5 Console selection

The console is the pair of input and output *devices* that Open Firmware uses for communicating with the user (for example, a keyboard and a bit-mapped display). The console devices are selected after probing, allowing the use of *plug-in devices* for the console. Input and output may be on different devices.

After probing, an input device and an output device are selected for use as the console devices. The selection process may be either automatic, based upon the set of devices found during probing, or as configured by *configuration variables*. The drivers for the selected devices are *opened*, and console input and output is directed to those devices.

Before the console is activated, any output produced by Open Firmware must either be buffered for later display or directed to a separate diagnostic output device. Whether a diagnostic output device exists, how it is chosen, and how it is accessed, are all system-dependent.

After the console is activated, subsequent Open Firmware output is displayed on the console output device by invoking its **write method**. Characters are received from the console input device by invoking its **read method**.

4.2.6 Secondary self-test

Except for those *devices* that are so closely connected to the main processor that they must be tested very early in the start-up sequence, device testing is often deferred until after the console has been activated. This has three benefits:

- Messages showing the progress of and the results from the testing may be displayed on the console.
- The user-perceived delay from the time power is applied until the console is activated is minimized (because the testing in question occurs after console activation rather than before).
- The testing may be done via *package methods*, thus providing a rich set of tools for use in developing and controlling the tests and allowing machine-independent testing of *plug-in devices*.

4.2.7 Booting

Booting is the process of *loading* and executing a *client program*, usually the operating system. Booting usually happens automatically, requiring no user intervention. From the *command interpreter*, the user can also explicitly initiate booting.

4.2.7.1 Boot process

The boot process proceeds as follows: A *device* is selected for booting by invoking the device's **load method**, a program is read from that device into memory using a protocol that depends on the type of device, and the program is then executed. The further behavior of that program may be controlled by an argument string that is made available to the program. Often, this program is a *secondary boot program*, whose purpose is to load yet another program. The secondary boot program may be capable of using additional protocols other than the protocol that Open Firmware used to load the first program. For example, Open Firmware may use the Trivial File Transfer Protocol (TFTP) to load the secondary boot program, which then uses the Network File System (NFS) protocol to load the operating system from another file.

For disk booting, Open Firmware might load the secondary boot program by reading the first few sectors from the disk, and that secondary boot program might understand the operating system's native file system structure, loading the operating system from such a file.

Typical secondary boot programs accept arguments of the following form:

filename -flags ...

where *filename* is the name of a file containing the operating system, and *-flags* is a list of options controlling the details of the start-up phase of either the secondary boot program, the operating system or both. However, from Open Firmware's point of view the boot arguments are an opaque string that is passed uninterpreted to the boot program. The boot arguments are made available through the *client interface*.

The *device path* of the boot device is also available to client programs, so they may determine the device from which they were booted.

4.2.7.2 Boot protocol

The protocol used to *load* the first *client program* depends on the type of *device*. For example, the first stage disk boot might read a fixed number of blocks from the beginning of the disk. The first stage tape boot might read a particular tape file.

4.2.8 Interrupting start-up

The provisions for interrupting the start-up sequence by user command are implementation-dependent. The typical *methods* for doing so are as follows:

- The *device driver* for the console input device may periodically test for the presence of some event that means the user wants to interrupt the current operation. Typically, that event is a particular character or a particular combination of keys simultaneously depressed. The usual response to such a user request is to abort the current operation and invoke the *command interpreter*.

The effectiveness of this method depends on the presence of a timer-driven interrupt facility (the “alarm” function) to periodically invoke the console input driver so that it may test for the user-interrupt request regardless of what other operations may be occurring. In most implementations, it is inappropriate to interrupt certain portions of the start-up sequence. Those portions may be guarded by disabling the timer interrupt while they are executing.

- Test sequences that may take a long time to finish, such as memory tests, may choose to explicitly check for a user-interrupt request at certain times. The usual response is to skip the remainder of the test, but thence to return to the normal start-up sequence so that it may proceed.

4.3 Path resolution

This section defines the process of resolving a *device path* given by a device-specifier. There are three contexts in which this can occur:

- **find-device**. In this context, the intention is to locate the named *device node* and select it as the *active package* without any other side effects.
- **open-dev**. In this context, the intention is to *open* every node named in the path by executing its **open** method, thereby creating an instance chain, and to return the *ihandle* of the node at the tail end of the chain (the node farthest from the root node).
- **execute-device-method**. In this context, the intention is to open every node named in the path *except for the last node*. An instance chain is created, including an instance for the last node, but instead of executing that last node's **open** method, a different method, given as an argument, is executed. Then the open instances are *closed* and the instance chain is destroyed.

The overall structure of the path resolution process is the same in all three contexts. This description shows it as one process with conditional tests at places where the details are context-dependent. However, it need not be implemented that way; for example, each context could be implemented separately.

The process is described in English as a set of procedures, each consisting of steps that are generally executed in order, with the scope of conditional tests shown by indentation and looping structures shown by labels and “go to”

lines. It makes liberal use of variable names to identify intermediate data items. The scope of such variables is “global” with respect to the procedures. The use of these variable names does not imply that an implementation must or should use such variables; they are used solely for descriptive purposes. Similarly, the description of the process in terms of procedures does not imply that the implementation should be so structured; the separate procedures were used in the description so that the top-level description would not be unwieldy.

The following notation describes the parsing of pathnames into component parts:

$\text{left-split}(\text{string}, “x”) \rightarrow \text{initial}, \text{remainder}$

String, *initial*, and *remainder* are the names of string variables, and “x” is a character.

Left-split divides *string* into two disjoint substrings, setting *initial* to the portion of *string* before the first occurrence of the character “x”, and *remainder* to the portion of *string* following the first occurrence of the character “x”. Neither *initial* nor *remainder* contains that first occurrence of “x”, although *remainder* may contain other later occurrences of that character. If *string* does not contain the character “x”, *initial* is set to *string* in its entirety, and *remainder* is set to the empty string.

$\text{right-split}(\text{string}, “x”) \rightarrow \text{initial}, \text{remainder}$

Right-split is similar to left-split, except that the division of the string occurs around the last occurrence of the character “x”, rather than the first.

The use of the preceding notation does not necessarily imply the existence of functions named left-split and right-split; it is simply a notational convention. (This standard does define a function **left-parse-string** whose semantics are very similar to left-split, but the details of returning the results are somewhat different.)

In searching for a matching node, the order in which the various *child nodes* are considered is unspecified. At the implementation's discretion, if no match is found among the children, the search may be widened to include the children's children, recursively to any depth.

In the following algorithmic description (4.3.1 through 4.3.5), the text enclosed in boxes is commentary describing the intention of the algorithm. The text outside of the boxes is definitive.

4.3.1 Path resolution procedure (top level procedure)

If the pathname does not begin with “/”, and its first node name component is an alias, replace the alias with its expansion.

- a) If `PATH_NAME` does not begin with the “/” character,
 - 1) `Left-split(PATH_NAME, “/”) -> HEAD, TAIL.`
 - 2) `Left-split(HEAD, “:”) -> ALIAS_NAME, ALIAS_ARGS.`
 - 3) If `ALIAS_NAME` matches a defined alias,
 - i) Replace `ALIAS_NAME` with its alias value.
 - ii) If `ALIAS_ARGS` is not empty:
 - a) `Right-split(ALIAS_NAME, “/”) -> ALIAS_HEAD, ALIAS_TAIL.`

- b) Right-split(ALIAS_TAIL, “:”) -> ALIAS_TAIL, DEAD_ARGS.
 - c) If ALIAS_HEAD is not empty,
Concatenate(ALIAS_HEAD, “/”,ALIAS_TAIL) -> ALIAS_TAIL.
 - d) Concatenate(ALIAS_TAIL, “:”, ALIAS_ARGS) -> ALIAS_NAME.
- iii) If TAIL is empty, replace PATH_NAME with ALIAS_NAME.
- iv) Otherwise (when TAIL is not empty),
Concatenate(ALIAS_NAME, “/”, TAIL) -> PATH_NAME.

If the pathname, after possible alias expansion, begins with “/”, begin the search at the root node. Otherwise, begin at the active package.

- b) Otherwise (when PATH_NAME begins with the “/” character),
 - 1) Remove the “/” from PATH_NAME.
 - 2) Set the *active package* to the root node.
- c) If there is no active package, exit this procedure, returning **false**.

Begin the creation of an instance chain.

*NOTE—If, at this step, the active package is not the root node and we are in **open-dev** or **execute-device-method** contexts, the instance chain that results from the path resolution process may be incomplete.*

- d) Set the temporary variable PARENT-INSTANCE to zero, ARGUMENTS and UNIT_ADDR to empty strings.

This is the beginning of a loop whose body is executed once for each node name of the pathname.

- e) If PATH_NAME is empty, go to step m).

Open the node if that is appropriate.

- f) If in **execute-device-method** or **open-dev** context,
 - 1) Create a new linked instance using the procedure described in 4.3.2.
 - 2) Execute the node’s **open** method.

Parse the next node name into its driver name, unit address, and device argument components.

- g) Left-split(PATH_NAME, “/”) -> COMPONENT, PATH_NAME.
- h) Left-split(COMPONENT, “:”) -> NODE_ADDR, ARGUMENTS.
- i) Left-split(NODE_ADDR, “@”) -> NODE_NAME, UNIT_ADDR.
- j) Search for a matching child node using the procedure described in 4.3.3.
- k) If the search succeeds,

The following optional step creates well-formed instance chains (i.e., with no missing components) by opening intermediate nodes that were not explicitly named in the pathname.

- 1) (Optional.) If in **execute-device-method** context or **open-dev** context, traverse the path from the *active package* to the *child node* found in the search step; at each node in that path, exclusive of the two endpoints,
 - i) Set active package to the node in question.
 - ii) Create a new linked instance using the procedure described in 4.3.2, with ARGUMENTS and UNIT_ADDR temporarily set to the empty string.
 - iii) Execute the node's **open** method.

Move to the matching node.

- 2) Set the active package to the child node found in step j).

Go back to the beginning of the loop to handle further pathname components.

- 3) Go back to step e).

On a failing search, clean up any resources that have been allocated so far, then exit.

- l) Otherwise, (when the search fails):
 - 1) Close and destroy any instances that were created during this procedure, closing more recently created instances first.
 - 2) Restore the *current instance* to the instance that was current prior to beginning this procedure.
 - 3) Restore the active package to the package that was active prior to beginning this procedure.
 - 4) If in **open-dev** context or **execute-device-method** context, exit from this procedure, returning **false**.
 - 5) Otherwise (when in **find-device** context), exit from this procedure by **throwing** a nonzero code of unspecified value.

At this point, the final node name has been selected.

- m) If in **open-dev** context,

*Open the final node, thus completing the instance chain, and return its *ihandle*.*

- 1) Create a new linked instance using the procedure described in 4.3.2.
- 2) Execute the node's **open** method.
- 3) Restore the current instance to the instance that was current prior to beginning this procedure.
- 4) Restore the active package to the package that was active prior to beginning this procedure.
- 5) Exit from this procedure, returning the *ihandle* of the instance created in step m1).

n) Otherwise, if in **execute-device-method** context,

Complete the instance chain, execute the desired method, clean up, and exit.

- 1) Create a new linked instance using the procedure described in 4.3.2.
 - 2) Attempt to execute the method whose name was given as the *method* argument to **execute-device-method**, guarded by a **catch**.
 - 3) Destroy the current instance.
 - 4) Close and destroy any parent instances that were created during this procedure, closing more recently created instances first.
 - 5) Restore the current instance to the instance that was current prior to beginning this procedure.
 - 6) Restore the active package to the package that was active prior to beginning this procedure.
 - 7) If the method execution in step n2) succeeds (i.e., the method exists and did not **throw** an error), exit from this procedure, returning the value that resulted from the execution of the named method and **true**.
 - 8) Otherwise (when the method execution in step n2) fails), exit from this procedure, returning **false**.
- o) Otherwise (when in **find-device** context), exit from this procedure, leaving the active package set to the node that was located by this procedure.

4.3.2 Create new linked instance procedure

Create a new instance, add it to the instance chain, and set its various fields (used several places by “Path Resolution” procedure).

- a) Create a new *instance* of the *active package* and make it the *current instance*.
- b) Set the instance's **my-args** field to ARGUMENTS.
- c) Set its **my-parent** field to PARENT-INSTANCE.
- d) Set PARENT-INSTANCE to the newly created instance.
- e) Set the instance's **my-unit** field as follows:
 - 1) If UNIT_ADDR is empty,
 - i) If the *active package* has a “**reg**” property, set **my-unit** to the physical address in the first component of the “**reg**” property value.
 - ii) Otherwise, set **my-unit** to 0, ... 0.
 - 2) Otherwise, set **my-unit** to UNIT_PHYS.
- f) Exit this procedure.

4.3.3 Search for matching child node procedure

Search for a node that matches the given driver name and unit address, searching first the direct children of the active package, and then, optionally, deeper levels of the tree (used by “Path Resolution” procedure).

a) If UNIT_ADDR is not empty,

Initialize the unit search for the active package by converting the unit address string to its canonical numerical form.

- 1) If the *active package* has a **decode-unit** method, execute the active package’s **decode-unit** method with UNIT_ADDR as the argument and set UNIT_PHYS to the result.
 - 2) Otherwise, return FAILURE.
- b) Search for a matching node among the direct children of the active package, first using the exact match criteria described in 4.3.4 and, if no exact match is found, then using the wild card match criteria described in 4.3.5.
- c) If a match is found among those direct children, return SUCCESS.

This optional step allows nodes to be located even if some intermediate nodes were omitted from the pathname.

- d) (Optional.) Otherwise, (when no matching node is found among those direct children), repeat the following steps for each of those children:
- 1) Set the *active package* to a *child node*.
 - 2) Recursively execute this “Search for Matching Child Node” procedure until either a matching node is found or all nodes in this subtree have been searched.
 - 3) Restore the active package to the node that was active at the beginning of the process.
 - 4) If a match is found, return SUCCESS.
- e) Return FAILURE.

4.3.4 Exact Match criteria

Under the Exact Match criteria, the node must match the driver name and unit address components if both are given in the pathname. Otherwise, the node must match whichever component is given (used by “Search for Matching Child Node” procedure).

- a) If NODE_NAME is not empty,
- 1) If the test node has no “**name**” property, return FAILURE.
 - 2) If the value of the “**name**” property does not match NODE_NAME, according to the criteria described in 4.3.6, return FAILURE.
- b) If UNIT_ADDR is not empty,
- 1) If the test node has no “**reg**” property, return FAILURE.

- 2) If the physical address in the first component of the value of the “**reg**” property does not match UNIT_PHYS, return FAILURE.
- c) If both NODE_NAME and UNIT_ADDR are empty, return FAILURE.
- d) Return SUCCESS.

4.3.5 Wildcard Match criteria

*Under the Wildcard Match criteria, the node must match the driver name component if it is given in the pathname, and the node must have no “**reg**” property (used by “Search for Matching Child Node” procedure).*

- a) If NODE_NAME is not empty,
 - 1) If the test node has no “**name**” property, return FAILURE.
 - 2) If the value of the “**name**” property does not match NODE_NAME, according to the criteria described in 4.3.6, return FAILURE.
- b) If the test node has a “**reg**” property, return FAILURE.
- c) If both NODE_NAME and UNIT_ADDR are empty, return FAILURE.
- d) Return SUCCESS.

4.3.6 Node Name Match criteria

The Node Name Match criteria allows the “manufacturer name” portion of the node name to be optionally omitted from the pathname.

- a) If NODE_NAME contains a “**,**”,
 - 1) If the NODE_NAME string is the same as the entire string value of the “**name**” property, return SUCCESS
 - 2) Otherwise return FAILURE.
- b) If NODE_NAME does not contain a “**,**”,
 - 1) If the NODE_NAME string is the same as the entire string value of the “**name**” property, return SUCCESS.
 - 2) If the NODE_NAME string is the same as the string value of the portion of the “**name**” property following its first “**,**”, return SUCCESS.
 - 3) Otherwise return FAILURE.

5. Device interface

The *device interface* allows Open Firmware to identify and use *plug-in devices*. The interface is based on a byte-coded programming language known as *FCode*. The FCode language is evaluated by a Open Firmware component known as the *FCode evaluator*.

5.1 General

The Open Firmware *device interface* specifies the behavior of a *firmware* system so that, when compliant *devices* are added to a computer system whose firmware is compliant, the firmware may determine the characteristics of those devices and may use them for various purposes, such as text display and program *loading*.

5.1.1 Description

A standard *FCode evaluator* provides a defined environment for the execution of standard *FCode programs*. A standard FCode evaluator is typically a component of the boot *firmware* associated with a CPU board.

A standard FCode program is a program written in the *FCode* language (defined herein) that obeys prescribed rules for program structure and usage. Consequently, its behavior is predictable when executed by a standard FCode evaluator. A standard FCode program is typically resident on a *plug-in device*.

A common use of a standard FCode program is to implement a standard *package* that is relevant to the kind of device with which the FCode program is associated.

5.1.1.1 FCode basics

FCode is a way of representing a program in the Forth programming language by using machine-independent byte codes to represent a set of standard *Forth words*. FCode uses a dialect of Forth that is based on ANSI X3.215-1994 (however, FCode is not a Standard System as defined by ANSI X3.215-1994), with extensions appropriate for *firmware* requirements. An *FCode program* is a representation of a computer program in the FCode language.

FCode programs are processed by a software component known as an *FCode evaluator*. An FCode evaluator reads a sequence of bytes (the FCode program), performing a specified action for each byte.

Typically, an FCode program resides in a ROM attached to a *plug-in device*. The FCode program serves to identify and to provide a *firmware device driver* for that device. The FCode evaluator is typically a part of the firmware associated with a CPU board.

The means for invoking the FCode evaluator and for locating the FCode corresponding to particular devices depends on the set of buses and features supported by a particular Firmware implementation. Those means are described in machine-specific Open Firmware documents (see 2.1) and in clause 7.

Forth is a stack-based programming language with postfix syntax. *Forth source* code may be either interpreted “on-the-fly” or incrementally compiled for later execution. FCode is semantically similar to Forth source code, but the lexical tokens of Forth are space-delimited text strings, whereas the lexical tokens of FCode are binary bytes.

The basic action of a Forth *command interpreter* is to repeat the following sequence:

- a) Collect a space-delimited string from the input buffer.
- b) Find the corresponding name in a symbol table.
- c) Either execute or compile the associated function.

An FCode evaluator replaces items a) and b) with “Read a byte” and “Use that byte as an index into an array,” respectively. The same executable functions that are associated with textual Forth words are associated with *FCode numbers*.

FCode programs are created from textual Forth source code by a program called a *tokenizer*. A tokenizer reads a sequence of textual Forth words and writes the corresponding sequence of FCode bytes. The specification for a preferred form of source code for generating FCode programs, and for the behavior of a tokenizer to process that form of source code, is given in annex C. The mapping from textual Forth words to FCode bytes is nearly one-to-one, and the preferred source format is very similar to a standard Forth program.

Since *FCode functions* are semantically identical to Forth words, the FCode execution environment is that of the Forth programming language. Forth words are passed input arguments and provide output results via a LIFO *data stack*. Each stack element is an integer. The maximum stack depth is implementation-dependent, but must be at least 64 elements.

5.1.1.2 Notation

This clause lists *FCode functions* using a short-form notation. The complete descriptions are given in annex A.

Each of the short-form descriptions in this clause gives the name of the FCode function (usually the same as the name of the corresponding *Forth word*), a *stack diagram*, the *FCode number*, and a brief description. The following is an example:

Name	Stack diagram	FCode number	Description
dup	(x -- x x)	0x47	Duplicate the top item on the stack.

A stack diagram documents the arguments that an FCode function removes from the top of the *data stack* and the results that the function places on the top of the data stack, as follows:

(argument1 argument2 ... -- result1 result2 ...)

The right-most item in each list represents the top-most item on the data stack. FCode functions that do not affect the stack are shown with the stack diagram:

(--)

Some FCode functions, when evaluated, read one or more bytes from the *FCode program*. The description field for such functions takes the following form:

(F: n1 /FCode# name string/ -- n2)

In this example, *FCode#* and *name string* represent bytes that are read from the FCode program when the FCode being described is first encountered. (*n1* and *n2* represent the stack effect at that time, if any.)

5.1.2 Specification

In order to be compliant with the Open Firmware *device interface*:

- The boot *firmware* associated with a main CPU *device* shall implement a standard *FCode evaluator*, the */packages* standard system *node*, and the complete set of standard *support packages*. It should implement any additional standard packages that are relevant to the system environment. It may implement additional packages that are not defined in this specification. Packages in the *device tree* in the path from the root of the device tree to any package that can be *opened* with **open-dev** shall conform to the rules given in 3.6.1.

- A *plug-in device* shall have a standard *FCode program* packaged according to the rules for the particular expansion bus with which that device is used. That standard FCode program shall identify the device with at least a “**name**” *property*. It shall comply to any additional requirements imposed by the specification describing the application of Open Firmware to the expansion bus in question. It should implement any standard packages that are relevant to the particular device.

5.2 FCode evaluator

A standard *FCode evaluator* shall behave as described in 5.2.1 in processing the byte codes associated with an *FCode program*, and shall implement the set of *FCode functions* as described in 5.3.

5.2.1 FCode evaluation sequence

Once invoked, the *FCode evaluator* shall set the internal state variable *fcode-end* to false and shall repeat the following sequence of operations until *fcode-end* is true at the beginning of the sequence:

- a) Read the next *FCode#*, denoting an *FCode number*, from the current *FCode program*.
- b) Evaluate the *FCode function* associated with that FCode number.

The details of the reading process in the first step are bus-dependent and are specified in related documents describing the application of this standard to particular buses. An *FCode#* consists of either 1 or 2 bytes, as specified in 5.2.2.

The FCode evaluator has two states, “interpretation state” and “compilation state”, determining the way that it evaluates a particular FCode function. The execution of certain FCode functions causes transitions between these two states.

The details of step b) are as follows:

- 1) If the FCode function has explicit “FCode evaluation” semantics, perform the FCode function's “FCode evaluation” semantics.
- 2) Otherwise,
 - i) If in interpretation state, perform the FCode function's execution semantics.
 - ii) Otherwise (i.e., in compilation state), append the FCode function's execution semantics to the current definition.

Subclause 5.3 defines the association between particular FCode numbers and their corresponding FCode functions.

NOTE—The behavior for some FCode functions includes reading FCode bytes. Thus, some of the bytes in an FCode program are not read directly by the FCode evaluator but by those FCode functions instead.

5.2.2 Encodings of in-line data

The following data formats are used to encode *FCode programs*. At the top level, an FCode program consists of a sequence of *FCode#s*. Certain individual *FCode functions* are followed by additional bytes in the sequence of bytes representing the FCode program. Those functions are recognized during the FCode evaluation process, and the bytes that follow are read from the FCode program and used as arguments to control the interpretation or compilation of the associated function. The encoding of such following bytes are described below.

In the following descriptions, the left-most byte in a printed sequence corresponds to the byte that appears first (either chronologically earlier or at a lower memory address, whichever is applicable) in the sequence of bytes constituting the FCode program, and so on from left to right. For binary values that are represented by more than one byte, bytes of greater significance precede those of lesser significance in the FCode program (i.e., *big-endian* byte ordering).

5.2.2.1 FCode#

Either
 byte (0x00 or 0x10 .. 0xFF) Encodes an *FCode number* less than 0x100.
 or
 byte (0x01.. 0x0f) byte (0x00 .. 0xFF) Encodes an FCode number greater than or equal to 0x100.

5.2.2.2 FCode-offset

Either
 byte Encodes an 8-bit signed (two's complement) offset.
 or
 byte.high byte.low Encodes a 16-bit signed (two's complement) offset.

A conditional or looping control transfer is represented by a pair of *FCode functions*. An *FCode-offset* specifies the number of bytes in the FCode program between two corresponding components of a control flow construct. The offset is calculated as the number of FCode bytes from the first byte of the offset to the byte just after the “target” of the control transfer. A positive offset corresponds to a transfer of control in the “forward” (towards the end of the FCode program) direction, and a negative offset corresponds to the “backward” (towards the beginning of the FCode program) direction.

The following control transfer pairs are meaningful, with “...” representing an arbitrary sequence of FCode bytes:

<u>FCode control transfer pair</u>	<u>Example source construct</u>
b(<mark) ... bbranch <i>FCode-offset</i> b(<mark) ... b?branch <i>FCode-offset</i> <div style="text-align: center;"> \hat{T} </div>	begin ... again begin ... until
bbranch <i>FCode-offset</i> ... b(>resolve) b?branch <i>FCode-offset</i> ... b(>resolve) <div style="text-align: center;"> \hat{B} </div>	... else ... then if ... then
b(do) <i>FCode-offset1</i> ... b(loop) <i>FCode-offset2</i> b(do) <i>FCode-offset1</i> ... b(+loop) <i>FCode-offset2</i> b(?do) <i>FCode-offset1</i> ... b(loop) <i>FCode-offset2</i> b(?do) <i>FCode-offset1</i> ... b(+loop) <i>FCode-offset2</i> <div style="text-align: center;"> $\hat{B1}$ </div>	do ... loop do ... +loop ?do ... loop ?do ... +loop
<div style="text-align: center;"> $\hat{T2}$ </div>	<div style="text-align: center;"> $\hat{T1}$ </div>

The markers *B* and *T* show the “branch” and “target” locations used for the calculation of the value of *FCode-offset*. The value is the signed number of FCode bytes between *B* and *T* (positive if *B* is before *T*). *B1/T1* are for *FCode-offset1* and *B2/T2* are for *FCode-offset2*.

NOTE—On some devices, FCode programs are stored with “gaps” between successive FCode bytes. For example, each FCode byte might be stored in the least significant byte of a separate quadlet, in which case it might be necessary to add four to the address to advance to the next FCode byte. This does not affect the calculation of an *FCode-offset*—the offset is in terms of the number of FCode bytes, independent of how those bytes are addressed.

The offset size (whether of 8 bits or 16 bits) is established at the beginning of the FCode program by the particular start code that begins the FCode program. **version1** sets the offset size to 8 bits, and the other start codes (**start0**, **start1**, **start2**, and **start4**) set the offset size to 16 bits. The offset size may be changed from 8 bits to 16 bits by executing **offset16**.

In most cases (the exceptions are **bbranch** and **b?branch** in interpretation state), the *FCode evaluator* needs only the sign of the offset, not its numerical value. In these cases, the value of the offset is essentially redundant because control transfers are represented by pairs of FCode functions (a branching function and its target). The offset indicates the distance between the branch and its target, but that information can be derived during the FCode evaluation process without needing the offset value. However, standard FCode programs are required to have numerically correct offsets (as described in the above paragraph) for compatibility with existing practice.

5.2.2.3 FCode-num32

byte.high byte.highmid byte.lowmid byte.low Encodes a 32-bit integer

5.2.2.4 FCode-string

byte.count byte.string1 ... byte.stringn Encodes a text string. The first byte is the length of the string (0 to 255 bytes), not including the count byte. Subsequent bytes are the bytes of the string.

5.2.2.5 FCode-header

The *FCode-header* data type appears only at the beginning of an *FCode program* following one of the functions **version1**, **start0**, **start1**, **start2**, or **start4**. It contains information about the FCode program as a whole. That information is provided for the benefit of external software that may wish to characterize the FCode program. A standard FCode evaluator is permitted to skip and ignore the *FCode-header* information, or to use it to verify, in an implementation-dependent manner, that the FCode program is intact.

Byte	Name	Description
1	format	The value 0x08 in this field indicates that this FCode program is intended to operate with boot <i>firmware</i> that complies with the <i>device interface</i> portion of this standard. The values 0x09 through 0xFF are reserved for future revisions of this standard. Values 0x00 through 0x07 indicate that this FCode program is intended to operate with boot firmware that does not comply with this standard.
2	checksum-high	High byte of the body checksum. Checksum is the doublet size sum of the bytes of the program body (i.e., excluding the header), calculated using two's complement addition and ignoring overflow.
3	checksum-low	Low byte of the body checksum.
4	length-high	Most significant byte of the program length. Program length is the quadlet size number of bytes in the program, including both the body and the header.
5	length-high-middle	High middle byte of the program length.
6	length-low-middle	Low middle byte of the program length.
7	length-low	Least significant byte of the program length.

5.3 FCode functions

The following subclause specify the set of predefined *FCode functions* and their associated *FCode numbers*. The evaluation of an *FCode program* may create additional FCode functions and associate them with FCode numbers.

The following subclauses give the names, FCode numbers, *stack diagrams* and brief descriptions of predefined FCode functions. The complete semantics of these FCode functions are specified in annex A.

5.3.1 FCode numbers (FCodes)

FCode numbers (sometimes called *FCodes*) are values between 0x0000 and 0x0FFF, inclusive. FCode numbers between 0x00 and 0xFF, inclusive, are represented in *FCode programs* by single bytes; all other FCode numbers are represented by pairs of bytes, with the high-order byte first. The FCode numbers between 0x01 and 0x0F, inclusive, are not used, thus eliminating the ambiguity between the one-byte and two-byte forms that would otherwise result. Another way to look at this is to think of the single-byte codes 0x01 through 0x0F as “escape” codes that are followed by another byte.

A summary of assigned FCode numbers is given in annex G.

5.3.1.1 System-defined FCode numbers

System-defined *FCode functions* are predefined by the *firmware* system and thus are available to any *FCode program*. They have *FCode numbers* in the range 0x0000 through 0x07FF, inclusive.

5.3.1.1.1 Historical FCode numbers

Historical FCode numbers correspond to FCode functions that are not defined by this standard, but that are or have been used by *FCode evaluators* that predate this standard. These numbers are reserved for the benefit of those pre-existing systems and are not available for reassignment by future revisions of this standard. The historical FCode numbers are interspersed within the range 0x000 through 0x2FF.

The historical FCode numbers are as follows:

0xA1	convert
0xB3	set-token
0xB4	set-table
0xBF	b(code)
0xFE	4-byte-id
0x101	dma-alloc
0x104	memmap
0x106	>physical
0x10F	my-params
0x118	driver
0x123	group-code
0x156	frame-buffer-busy?
0x170-17C	fb1 routines
0x190-0x196	Obsolete VMEbus support
0x1A0	return-buffer
0x1A1	xmit-packet
0x1A2	poll-packet
0x210	processor-type
0x211	firmware-version
0x212	fcode-version
0x229	adr-mask
0x238	probe
0x239	probe-virtual

These FCode numbers are reserved for the benefit of pre-existing FCode systems and shall not be used except for the purpose of compatibility with such pre-existing systems.

5.3.1.1.2 Defined FCode numbers

Defined FCode numbers correspond to FCode functions specified by this standard. Defined FCode numbers are interspersed within the range 0x000 through 0x5FF.

5.3.1.1.3 Reserved FCode numbers

Reserved FCode numbers are those in the range 0x10 through 0x5FF that are neither defined in this standard nor listed in 5.3.1.1.1. These FCode numbers are reserved for assignment by future versions of this standard.

5.3.1.1.4 Vendor-unique FCode numbers

Vendor-unique FCode numbers are all those in the range 0x600 through 0x7FF. These FCode numbers are reserved for vendor-specific use with *built-in devices* and will not be assigned by this standard or future versions thereof.

A standard FCode program shall not use vendor-unique FCode numbers.

NOTE—It is generally preferable to provide vendor-unique enhancements in the form of packages with methods, rather than as vendor-unique FCode functions.

5.3.1.2 Program-defined FCode numbers

Within a particular *FCode program*, new *FCode functions* may be created and assigned to *FCode numbers* in the range 0x0800 through 0x0FFF, inclusive. The assignment persists while that particular FCode program is being evaluated and becomes invalid thereafter.

The program-defined FCode number space is private to a particular FCode program; each FCode program may reuse these codes without conflicting with other FCode programs. Functions defined within an FCode program may be exported for external use via another mechanism that does not involve FCode numbers.

5.3.1.3 Undefined FCode numbers

All *FCode numbers* for which an implementation has not assigned a specific function shall be associated with the **error** function.

5.3.2 Forth FCode functions

5.3.2.1 Standard Forth FCode functions

The following *FCode functions* have behaviors identical to ANS *Forth words* (as specified by ANSI X3.215-1994) of the same names. They perform basic functions in the Forth programming language:

dup	(x -- x x)	0x47	Duplicate the top item on the stack.
2dup	(x1 x2 -- x1 x2 x1 x2)	0x53	Duplicate the top two items on the stack.
?dup	(x -- 0 x x)	0x50	Duplicate top stack item if it is nonzero.
over	(x1 x2 -- x1 x2 x1)	0x48	Copy second stack item to top of stack.
2over	(x1 x2 x3 x4 -- x1 x2 x3 x4 x1 x2)	0x54	Copy second pair of stack items to top of stack.
pick	(xu ... x1 x0 u -- xu ... x1 x0 xu)	0x4E	Copy <i>u</i> th stack item to top of stack.
tuck	(x1 x2 -- x2 x1 x2)	0x4C	Copy top stack item underneath the second stack item.
drop	(x --)	0x46	Remove top item from the stack.
2drop	(x1 x2 --)	0x52	Remove top two items from the stack.
nip	(x1 x2 -- x2)	0x4D	Remove the second stack item.
roll	(xu ... x1 x0 u -- xu-1... x1 x0 xu)	0x4F	Rotate <i>u</i> +1 stack items as shown.

(continued)

rot	(x1 x2 x3 -- x2 x3 x1)	0x4A	Rotate top three stack items as shown.
-rot	(x1 x2 x3 -- x3 x1 x2)	0x4B	Rotate top three stack items as shown.
2rot	(x1 x2 x3 x4 x5 x6 -- x3 x4 x5 x6 x1 x2)	0x56	Rotate three pairs of stack items as shown.
swap	(x1 x2 -- x2 x1)	0x49	Exchange top two stack items.
2swap	(x1 x2 x3 x4 -- x3 x4 x1 x2)	0x55	Exchange top two pairs of stack items.
>r	(x --) (R: -- x)	0x30	Move top stack item to the return stack.
r>	(-- x) (R: x --)	0x31	Move top return stack item to the stack.
r@	(-- x) (R: x -- x)	0x32	Copy top return stack item to the stack.
depth	(-- u)	0x51	Return count of items on the stack.
+	(nu1 nu2 -- sum)	0x1E	Add <i>nu1</i> to <i>nu2</i> .
-	(nu1 nu2 -- diff)	0x1F	Subtract <i>nu2</i> from <i>nu1</i> .
*	(nu1 nu2 -- prod)	0x20	Multiply <i>nu1</i> by <i>nu2</i> .
/	(n1 n2 -- quot)	0x21	Divide <i>n1</i> by <i>n2</i> ; return quotient.
mod	(n1 n2 -- rem)	0x22	Divide <i>n1</i> by <i>n2</i> ; return remainder.
/mod	(n1 n2 -- rem quot)	0x2A	Divide <i>n1</i> by <i>n2</i> ; return remainder and quotient.
u/mod	(u1 u2 - urem uquot)	0x2B	Divide <i>n1</i> by <i>n2</i> , all unsigned.
abs	(n -- u)	0x2D	Return absolute value of <i>n</i> .
negate	(n1 -- n2)	0x2C	Return negation of <i>n1</i> .
max	(n1 n2 -- n1 n2)	0x2F	Return greater of <i>n1</i> and <i>n2</i> .
min	(n1 n2 -- n1 n2)	0x2E	Return lesser of <i>n1</i> and <i>n2</i> .
bounds	(n cnt -- n+cnt n)	0xAC	Prepare arguments for do or ?do loop.
lshift	(x1 u -- x2)	0x27	Shift <i>x1</i> left by <i>u</i> bit-places. Zero-fill low bits.
rshift	(x1 u -- x2)	0x28	Shift <i>x1</i> right by <i>u</i> bit-places. Zero-fill high bits.
2*	(x1 -- x2)	0x59	Shift <i>x1</i> left by one bit-place. Zero-fill low bit.
2/	(x1 -- x2)	0x57	Shift <i>x1</i> right by one bit-place. High bit unchanged.
and	(x1 x2 -- x3)	0x23	Return bitwise logical “and” of <i>x1</i> and <i>x2</i> .
or	(x1 x2 -- x3)	0x24	Return bitwise logical “inclusive-or” of <i>x1</i> and <i>x2</i> .
xor	(x1 x2 -- x3)	0x25	Return bitwise logical “exclusive-or” of <i>x1</i> and <i>x2</i> .
invert	(x1 -- x2)	0x26	Invert all bits of <i>x1</i> .
d+	(d1 d2 -- d.sum)	0xD8	Add <i>d1</i> to <i>d2</i> giving double-number <i>d.sum</i> .
d-	(d1 d2 -- d.diff)	0xD9	Subtract <i>d2</i> from <i>d1</i> giving double-number difference <i>d.diff</i> .
um*	(u1 u2 -- d.prod)	0xD4	Unsigned multiply with double number product.
um/mod	(ud u-- urem uquot)	0xD5	Divide unsigned double number <i>ud</i> by <i>u</i> .
char+	(addr1 -- addr2)	0x62	Increment <i>addr1</i> by the value of /c .
cell+	(addr1 -- addr2)	0x65	Increment <i>addr1</i> by the value of /n .
chars	(nu1 -- nu2)	0x66	Multiply <i>nu1</i> by the value of /c .
cells	(nu1 -- nu2)	0x69	Multiply <i>nu1</i> by the value of /n .
aligned	(n1 -- n1 a-addr)	0xAE	Increase <i>n1</i> as necessary to give valid address boundary.
@	(a-addr -- x)	0x6D	Fetch item <i>x</i> from cell at <i>a-addr</i> .
2@	(a-addr -- x1 x2)	0x76	Fetch cell pair from <i>a-addr</i> .
c@	(addr -- byte)	0x71	Fetch <i>byte</i> from <i>addr</i> .
!	(x a-addr --)	0x72	Store item <i>x</i> to cell at <i>a-addr</i> .
2!	(x1 x2 a-addr --)	0x77	Store cell pair at <i>a-addr</i> .
+!	(nu a-addr --)	0x6C	Add <i>nu</i> to cell at <i>a-addr</i> .
c!	(byte addr --)	0x75	Store <i>byte</i> to <i>addr</i> .
move	(src-addr dest-addr len --)	0x78	Copy <i>len</i> bytes from <i>src-addr</i> to <i>dest-addr</i> .
fill	(addr len byte --)	0x79	Set <i>len</i> bytes beginning at <i>addr</i> to the value <i>byte</i> .
key?	(-- pressed?)	0x8D	Return true if an input character available.
key	(-- char)	0x8E	Read a character from the console input device.
expect	(addr len --)	0x8A	Get edited input line, storing it at <i>addr</i> .
span	(-- a-addr)	0x88	variable holding number of characters received by expect .
bl	(-- 0x20)	0xA9	ASCII code for space (blank) character.

(continued)

emit	(char --)	0x8F	Display the given ASCII character.
type	(text-str text-len --)	0x90	Display <i>text-len</i> characters beginning at address <i>text-str</i> .
cr	(--)	0x92	Subsequent output goes to the next line.
count	(pstr --str len)	0x84	Unpack a counted string to a text string.
base	(-- a-addr)	0xA0	variable containing the number-conversion radix.
.	(nu --)	0x9D	Display number (and trailing space).
u.	(u --)	0x9B	Display an unsigned number with a trailing space.
.r	(n size --)	0x9E	Display a signed number, right-justified.
u.r	(u size --)	0x9C	Display an unsigned number, right-justified.
.s	(... -- ...)	0x9F	Display entire stack contents, unchanged.
<#	(--)	0x96	Initialize pictured numeric output conversion.
#	(ud1 -- ud2)	0xC7	Convert a digit in pictured numeric output conversion.
#s	(ud -- 0 0)	0xC8	Convert remaining digits in pictured numeric output.
#>	(ud -- str len)	0xC9	End pictured numeric output conversion.
hold	(char --)	0x95	Add <i>char</i> in pictured numeric output conversion.
sign	(n --)	0x98	If $n < 0$, insert “-” in pictured numeric output.
<	(n1 n2 -- less?)	0x3A	Return true if <i>n1</i> is less than <i>n2</i> .
<>	(x1 x2 -- not-equal?)	0x3D	Return true if <i>x1</i> is not equal to <i>x2</i> .
=	(x1 x2 -- equal?)	0x3C	Return true if <i>x1</i> is equal to <i>x2</i> .
>	(n1 n2 -- greater?)	0x3B	Return true if <i>n1</i> is greater than <i>n2</i> .
within	(n min max -- min<=n<max?)	0x45	Return true if <i>n</i> is between <i>min</i> and <i>max</i> -1, inclusive.
0<	(n -- less-than-0?)	0x36	Return true if <i>n</i> is less than zero.
0<>	(n -- not-equal-to-0?)	0x35	Return true if <i>n</i> is not equal to zero.
0=	(nu flag -- equal-to-0?)	0x34	Return true if <i>nu flag</i> is equal to zero.
0>	(n -- greater-than-0?)	0x38	Return true if <i>n</i> is greater than zero.
u<	(u1 u2 -- unsigned-less?)	0x40	Return true if <i>u1</i> is less than <i>u2</i> , unsigned.
u>	(u1 u2 -- unsigned-greater?)	0x3E	Return true if <i>u1</i> is greater than <i>u2</i> , unsigned.
i	(-- index) (R: sys -- sys)	0x19	Return current loop index value.
j	(-- index) (R: sys -- sys)	0x1A	Return next outer loop index value.
unloop	(--) (R: sys --)	0x89	Discard loop control parameters.
evaluate	(... str len -- ???)	0xCD	Evaluate Forth text from the given string.
execute	(... xt -- ???)	0x1D	Execute the command whose execution token is <i>xt</i> .
exit	(--) (R: sys --)	0x33	Exit from the currently executing command.
abort	(... --) (R: ... --)	0x216	Abort program execution; clear stacks.
catch	(... xt -- ??? error-code ??? false)	0x217	Execute command indicated by <i>xt</i> . Return throw result.
throw	(... error-code -- ??? error-code ...)	0x218	Transfer back to catch routine if <i>error-code</i> is nonzero.
here	(-- addr)	0xAD	Return current dictionary pointer.
c,	(byte --)	0xD0	Compile a byte into the dictionary.
,	(x --)	0xD3	Append <i>x</i> to data space.
compile,	(xt --)	0xDD	Compile the behavior of the word given by <i>xt</i> .
state	(-- a-addr)	0xDC	variable containing true if in compilation state.
>body	(xt -- a-addr)	0x86	Convert execution token to data field address.

5.3.2.2 Other simple Forth FCode functions

/c	(-- n)	0x5A	The number of address units to a byte: one.
/w	(-- n)	0x5B	The number of address units to a doublet: typically, two.
/l	(-- n)	0x5C	The number of address units to a quadlet: typically, four.
/n	(-- n)	0x5D	The number of address units in a cell.
ca+	(addr1 index -- addr2)	0x5E	Increment <i>addr1</i> by <i>index</i> times the value of /c .
wa+	(addr1 index -- addr2)	0x5F	Increment <i>addr1</i> by <i>index</i> times the value of /w .
la+	(addr1 index -- addr2)	0x60	Increment <i>addr1</i> by <i>index</i> times the value of /l .

(continued)

na+	(addr1 index -- addr2)	0x61	Increment <i>addr1</i> by <i>index</i> times the value of <i>/n</i> .
wa1+	(addr1 -- addr2)	0x63	Increment <i>addr1</i> by the value of <i>/w</i> .
la1+	(addr1 -- addr2)	0x64	Increment <i>addr1</i> by the value of <i>/l</i> .
/w*	(nu1 -- nu2)	0x67	Multiply <i>nu1</i> by the value of <i>/w</i> .
/l*	(nu1 -- nu2)	0x68	Multiply <i>nu1</i> by the value of <i>/l</i> .
w@	(waddr -- w)	0x6F	Fetch doublet <i>w</i> from <i>waddr</i> .
<w@	(waddr -- n)	0x70	Fetch doublet from <i>waddr</i> , sign-extended.
l@	(qaddr -- quad)	0x6E	Fetch quadlet from <i>qaddr</i> .
w!	(w waddr --)	0x74	Store doublet <i>w</i> to <i>waddr</i> .
l!	(quad qaddr --)	0x73	Store quadlet to <i>qaddr</i> .
w,	(w --)	0xD1	Compile a doublet <i>w</i> into the dictionary, doublet-aligned).
l,	(quad --)	0xD2	Compile a quadlet into the dictionary, doublet-aligned).
off	(a-addr --)	0x6B	Store false to cell at <i>a-addr</i> .
on	(a-addr --)	0x6A	Store true to cell at <i>a-addr</i> .
u#	(u1 -- u2)	0x99	Convert a digit in pictured numeric output conversion.
u#s	(u -- 0)	0x9A	Convert remaining digits in pictured numeric output.
u#>	(u -- str len)	0x97	End pictured numeric output conversion.
comp	(addr1 addr2 len -- ?diff?)	0x7A	Compare two arrays of length <i>len</i> .
lbsplit	(quad -- b.lo b2 b3 b4.hi)	0x7E	Split a quadlet into four bytes.
lwsplit	(quad -- w1.lo w2.hi)	0x7C	Split a quadlet into two doublets.
wbsplit	(w -- b1.lo b2.hi)	0xAF	Split a doublet <i>w</i> into two bytes.
bljoin	(b1.lo b2 b3 b4.hi -- quad)	0x7F	Join four bytes to form a quadlet.
bwjoin	(b.lo b.hi -- w)	0xB0	Join two bytes to form a doublet <i>w</i> .
wljoin	(w.lo w.hi -- quad)	0x7D	Join two doublets to form a quadlet.
wbflip	(w1 -- w2)	0x80	Swap the bytes within a doublet.
wbflips	(waddr len --)	0x236	Swap the bytes within each doublet in the given region.
lbflip	(q1 -- q2)	0x227	Reverse the bytes within a quadlet.
lbflips	(qaddr len --)	0x228	Reverse the bytes within each quadlet in the given region.
lwflip	(q1 -- q2)	0x226	Swap the doublets within a quadlet.
lwflips	(qaddr len --)	0x237	Swap the doublets within each quadlet in the given region.
u2/	(x1 -- x2)	0x58	Shift <i>x1</i> right by one bit-place. Zero-fill high bit.
between	(n min max -- min<=n<=max?)	0x44	Return true if <i>n</i> is between min and max, inclusive.
>=	(n1 n2 -- greater-or-equal?)	0x42	Return true if <i>n1</i> is greater than or equal to <i>n2</i> .
<=	(n1 n2 -- less-or-equal?)	0x43	Return true if <i>n1</i> is less than or equal to <i>n2</i> .
0<=	(n -- less-or-equal-to-0?)	0x37	Return true if <i>n</i> is less than or equal to zero.
0>=	(n -- greater-or-equal-to-0?)	0x39	Return true if <i>n</i> is greater than or equal to zero.
u<=	(u1 u2 -- unsigned-less-or-equal?)	0x3F	Return true if <i>u1</i> less or equal to <i>u2</i> , unsigned.
u>=	(u1 u2 -- unsigned-greater-or-equal?)	0x41	Return true if <i>u1</i> greater or equal to <i>u2</i> , unsigned.
>>a	(x1 u -- x2)	0x29	Arithmetic shift <i>x1</i> right by <i>u</i> bit-places.
body>	(a-addr -- xt)	0x85	Convert data field address to execution token.
noop	(--)	0x7B	Do nothing.
bell	(-- 0x07)	0xAB	ASCII code for “bell” character.
bs	(-- 0x08)	0xAA	ASCII code for “backspace” character.
#line	(-- a-addr)	0x94	variable holding the output line number.
#out	(-- a-addr)	0x93	variable holding the output column number.
pack	(str len addr -- pstr)	0x83	Pack a text string into a counted string.
lcc	(char1 -- char2)	0x82	Convert ASCII <i>char1</i> to lowercase.
upc	(char1 -- char2)	0x81	Convert ASCII <i>char1</i> to uppercase.
-1	(-- -1)	0xA4	Constant -1.
0	(-- 0)	0xA5	Constant 0.
1	(-- 1)	0xA6	Constant 1.
2	(-- 2)	0xA7	Constant 2.

(continued)

3	(-- 3)	0xA8	Constant 3.
(cr	(--)	0x91	Output the carriage-return character, 0x0D.
\$number	(addr len -- true n false)	0xA2	Convert a string to a number.
digit	(char base -- digit true char false)	0xA3	Convert a character to a digit in the given base.
\$find	(name-str name-len -- xt true name-str name-len false)		
		0xCB	Find the command named <i>name string</i> in the dictionary.
alloc-mem	(len -- a-addr)	0x8B	Allocate <i>len</i> bytes of memory.
free-mem	(a-addr len --)	0x8C	Free memory allocated by alloc-mem .

5.3.3 FCode implementation functions

These *FCode functions* correspond only indirectly to *Forth words* (most other FCode functions correspond directly to identically named Forth words). In general, the names of these FCode functions do not appear in *FCode source*. Instead, certain FCode source constructs are translated by a *tokenizer* program into sequences of these FCode functions. Such constructs are indicated in glossary entries by the “T” type code (see A.1.2.3).

5.3.3.1 Defining new FCode functions

Program-defined *FCode functions* are created by executing a sequence of FCode functions of the following form:

[**instance**] *token-type function-type*

If present, **instance** modifies the behavior of the following FCode function definition so that it allocates instance-specific data storage instead of global data storage; **instance** only applies to FCode functions that allocate data storage, specifically, **b(buffer:)**, **b(defer)**, **b(value)**, **b(variable)**.

Token-type, one of the FCode functions **new-token**, **named-token**, or **external-token**, establishes the new function's *FCode number* and possibly its externally visible name. The *token-type* portion of the *FCode program* includes an *FCode-string* (except in the case of **new-token**) and an *FCode#*. Any program-defined FCode function may be executed from within the FCode program that defines it, but only those functions with an externally visible name can be called from outside the FCode program (e.g., with **\$call-method**).

Function-type, one of the FCode functions **b(:)**, **b(buffer:)**, **b(constant)**, **b(create)**, **b(defer)**, **b(field)**, **b(value)**, or **b(variable)**, establishes the general behavior of the new function.

instance	(--)	0xC0	Mark next defining word as instance-specific.
new-token	(F: /FCode#/ --)	0xB5	Create a new unnamed FCode function.
named-token	(F: /FCode-string FCode#/ --)	0xB6	Create a new possibly named FCode function.
external-token	(F: /FCode-string FCode#/ --)		
		0xCA	Create a new named FCode function.
b(;)	(--)	0xC2	End an FCode colon definition.
b(:)	(--)	0xB7	Defines type of new FCode function as “colon definition”.
	(E: ... -- ???)		
b(buffer:)	(size --)	0xBD	Defines type of new FCode function as buffer: .
	(E: -- a-addr)		
b(constant)	(n1 --)	0xBA	Defines type of new FCode function as constant .
	(E: -- n1)		
b(create)	(--)	0xBB	Defines type of new FCode function as create word.
	(E: -- a-addr)		
b(defer)	(--)	0xBC	Defines type of new FCode function as defer word.
	(E: ... -- ???)		

(continued)

b(field)	(offset size -- offset+size) (E: addr -- addr+offset)	0xBE	Defines type of new FCode function as field .
b(value)	(x --) (E: -- x)	0xB8	Defines type of new FCode function as value .
b(variable)	(--) (E: -- a-addr)	0xB9	Defines type of new FCode function as variable .
(is-user-word)	(name-str name-len xt --) (E: ... -- ???)	0x214	Create a new named user interface command.
get-token	(fcode# -- xt immediate?)	0xDA	Convert FCode number to function execution token.
set-token	(xt immediate? fcode# --)	0xDB	Assign FCode number to existing function.

5.3.3.2 Literals

Each of these functions reads a literal value from the *FCode program* and pushes the value on the *data stack*:

b(lit)	(-- n1)	0x10	Numeric literal FCode. Followed by <i>FCode-num32</i> .
b(')	(-- xt)	0x11	Function literal FCode. Followed by <i>FCode#</i> .
b(")	(-- str len)	0x12	String literal FCode. Followed by <i>FCode-string</i> .

5.3.3.3 Controlling values and defers

b(to) sets the value of **value** and **defer** functions, reading the *FCode#* of the function whose value is to be set from the *FCode program*.

behavior	(defer-xt -- contents-xt)	0xDE	Retrieve execution behavior of a defer word.
b(to)	(params --)	0xC3	FCode for setting values and defers . Followed by <i>FCode#</i> .

5.3.3.4 Control flow

In various combinations, these functions implement control structures, such as conditionals and loops. Many of these functions are similar in most respects to ANS *Forth words* (as specified by ANSI X3.215-1994), but their behavioral descriptions account for the fact that they read *FCode-offsets* from the *FCode program* during *FCode evaluation*:

offset16	(--)	0xCC	Makes subsequent <i>FCode-offsets</i> use 16-bit (not 8-bit) form.
bbranch	(--)	0x13	Unconditional branch FCode. Followed by <i>FCode-offset</i> .
b?branch	(continue? --)	0x14	Conditional branch FCode. Followed by <i>FCode-offset</i> .
b(<mark)	(--)	0xB1	Target of backward branches.
b(>resolve)	(--)	0xB2	Target of forward branches.
b(loop)	(--)	0x15	End FCode do ... loop . Followed by <i>FCode-offset</i> .
b(+loop)	(delta --)	0x16	End FCode do ... +loop . Followed by <i>FCode-offset</i> .
b(do)	(limit start --)	0x17	Begin FCode do ... loop . Followed by <i>FCode-offset</i> .
b(?do)	(limit start --)	0x18	Begin FCode ?do ... loop . Followed by <i>FCode-offset</i> .
b(leave)	(--)	0x1B	Exit from a do ... loop .
b(case)	(sel -- sel)	0xC4	Begin a case (multiple selection) statement.
b(endcase)	(sel <nothing> --)	0xC5	End a case (multiple selection) statement.
b(of)	(sel of-val -- sel <nothing>)	0x1C	FCode for of in case statement. Followed by <i>FCode-offset</i> .
b(endif)	(--)	0xC6	FCode for endif in case statement. Followed by <i>FCode-offset</i> .

5.3.4 Package access

These functions manage the interface between *packages*, allowing packages to call each other's *methods* and inspect each other's *properties*.

5.3.4.1 Open/close packages

These functions find, *open*, and *close packages*:

find-package	(name-str name-len -- false phandle true)		
		0x204	Locate the support package named by <i>name string</i> .
open-package	(arg-str arg-len phandle -- ihandle 0)		
		0x205	Open the package indicated by <i>phandle</i> .
\$open-package	(arg-str arg-len name-str name-len -- ihandle 0)		
		0x20F	Open the support package named by <i>name string</i> .
close-package	(ihandle --)	0x206	Close the specified package instance.
my-self	(-- ihandle)	0x203	Return the <i>ihandle</i> of the current instance.
my-parent	(-- ihandle)	0x20A	Return the <i>ihandle</i> of the parent of the current instance.
ihandle>phandle	(ihandle -- phandle)	0x20B	Return the <i>phandle</i> for the indicated <i>ihandle</i> .
next-property	(previous-str previous-len phandle -- false name-str name-len true)		
		0x23D	Return the <i>name</i> of the property following <i>previous</i> of <i>phandle</i> .
peer	(phandle -- phandle.sibling)	0x23C	Return the phandle of the next sibling node.
child	(phandle.parent -- phandle.child)	0x23B	Return the phandle of the first child node of parent.

5.3.4.2 Call methods from other packages

These functions find and execute *methods* from other *packages*:

find-method	(method-str method-len phandle -- false xt true)		
		0x207	Find the method named <i>method-string</i> in the package <i>phandle</i> .
call-package	(... xt ihandle -- ???)	0x208	Execute the method <i>xt</i> within the instance <i>ihandle</i> .
\$call-method	(... method-str method-len ihandle -- ???)		
		0x20E	Execute the method named <i>method-string</i> in the instance <i>ihandle</i> .
\$call-parent	(... method-str method-len -- ???)		
		0x209	Execute the method named <i>method-string</i> in the parent instance.

5.3.4.3 Get local arguments

These functions return information about the current instance:

my-address	(-- phys.lo ...)	0x102	Return low component(s) of device's physical address.
my-space	(-- phys.hi)	0x103	Return high component of device's physical address.
my-unit	(-- phys.lo ... phys.hi)	0x20D	Return the unit address of the current instance.
my-args	(-- arg-str arg-len)	0x202	Return the instance-argument string for this instance.
left-parse-string	(str len char -- R-str R-len L-str L-len)		
		0x240	Split the string at first occurrence of delimiter <i>char</i> .
parse-2int	(str len -- val.lo val.hi)	0x11B	Convert a "hi,lo" string into a pair of values.

5.3.4.4 Mapping tools

These functions are shorthand versions of common sequences:

map-low	(phys.lo ... size -- virt)	0x130	Map the specified region; return a virtual address.
free-virtual	(virt size --)	0x105	Destroy mapping and "address" property.

5.3.5 Property management

5.3.5.1 Property array encoding

These functions encode various data types into *prop-encoded-arrays* suitable for *property values*:

```

encode-int      ( n -- prop-addr prop-len ) 0x111  Encode a number into a prop-encoded-array.
encode-string ( str len -- prop-addr prop-len )
                                     0x114  Encode a string into a prop-encoded-array.
encode-bytes ( data-addr data-len -- prop-addr prop-len )
                                     0x115  Encode a byte array into a prop-encoded-array.
encode-phys ( phys.lo ... phys.hi -- prop-addr prop-len )
                                     0x113  Encode a unit address into a prop-encoded-array.
encode+ ( prop-addr1 prop-len1 prop-addr2 prop-len2 -- prop-addr3 prop-len3 )
                                     0x112  Concatenate two prop-encoded-arrays into a single array.
sbus-intr>cpu ( sbus-intr# -- cpu-intr# ) 0x131  Converts SBus interrupt level to CPU interrupt level.

```

5.3.5.2 Property array decoding

These functions decode various data types from *prop-encoded-arrays*:

```

decode-int ( prop-addr1 prop-len1 -- prop-addr2 prop-len2 n )
                                     0x21B  Decode a number from a prop-encoded-array.
decode-phys ( prop-addr1 prop-len1 -- prop-addr2 prop-len2 phys.lo ... phys.hi )
                                     0x128  Decode a unit address from a prop-encoded-array.
decode-string ( prop-addr1 prop-len1 -- prop-addr2 prop-len2 str len )
                                     0x21C  Decode a string from a prop-encoded-array.

```

5.3.5.3 Property declaration

These functions create, delete, and modify properties in the *active package*. **property** is the general-purpose function for creating properties. **delete-property** deletes a *property*. The other functions in this subclause are space-saving words for a common property, with behavior identical to the use of **property** with the indicated name string.

```

property ( prop-addr prop-len name-str name-len -- )
                                     0x110  Create a new property with the given name and value.
delete-property ( name-str name-len -- ) 0x21E  Delete the named property in the active package.
device-name      ( str len -- ) 0x201  Create the “name” property; value is indicated string.
device-type      ( str len -- ) 0x11A  Create “device_type” property; value is indicated string.
reg              ( phys.lo ... phys.hi size -- ) 0x116  Create the “reg” property with the given values.
model            ( str len -- ) 0x119  Create the “model” property; value is indicated string.

```

5.3.5.4 Property value access

The following functions retrieve *property values*:

```

get-package-property ( name-str name-len phandle -- true | prop-addr prop-len false )
                                     0x21F  Return value for name string property in package phandle.
get-inherited-property ( name-str name-len -- true | prop-addr prop-len false )
                                     0x21D  Return value for given property in the current instance or its parents.
get-my-property ( name-str name-len -- true | prop-addr prop-len false )
                                     0x21A  Return value for given property in this package.

```

5.3.6 Display device management

These functions assist in the implementation of console display devices, devices identified by the “**display**” device-type *property*.

5.3.6.1 Terminal emulator routines

The terminal emulator implements an ANSI X3.64 terminal using the display *device driver* for low-level screen manipulation operations.

The following **values** are used and set by the terminal emulator:

line#	(-- line#)	0x152	Return the current cursor line number.
column#	(-- column#)	0x153	Return the current cursor column number.
inverse?	(-- white-on-black?)	0x154	Indicates how to paint characters.
inverse-screen?	(-- black?)	0x155	Indicates how to paint the background.
#lines	(-- rows)	0x150	Return number of lines of text in text window.
#columns	(-- columns)	0x151	Return number of columns of text in text window.

The terminal emulator uses the following **defer** words to access display device driver routines:

draw-character	(char --)	0x157	Draw a character at the current cursor position.
reset-screen	(--)	0x158	Perform frame-buffer device initialization.
toggle-cursor	(--)	0x159	Toggle the state of the text cursor.
erase-screen	(--)	0x15A	Clear the screen.
blink-screen	(--)	0x15B	Flash the screen.
invert-screen	(--)	0x15C	Exchange the foreground and background colors.
insert-characters	(n --)	0x15D	Insert <i>n</i> spaces to the right of the cursor.
delete-characters	(n --)	0x15E	Delete <i>n</i> characters to the right of the cursor.
insert-lines	(n --)	0x15F	Insert <i>n</i> blank lines at and below the cursor line.
delete-lines	(n --)	0x160	Delete <i>n</i> lines at and below the cursor line.
draw-logo	(line# addr width height --)	0x161	Draw (at line#) the logo stored at location <i>addr</i> .

5.3.6.2 Frame-buffer support routines

These functions control the character font used to display characters. **set-font** may be used with the system-provided font described by the **default-font** or with a font provided by the *FCode program*.

default-font	(-- addr width height advance min-char #glyphs)	0x16A	Return the font parameters for the default system font.
set-font	(addr width height advance min-char #glyphs --)	0x16B	Set the current font as specified.
>font	(char -- addr)	0x16E	Return beginning address for <i>char</i> in the current font.

The following **values** are used internally by both the 1-bit and the 8-bit frame-buffer support routines.

frame-buffer-adr	(-- addr)	0x162	Return current frame-buffer virtual address.
screen-height	(-- height)	0x163	Return total <i>height</i> of the display in pixels.
screen-width	(-- width)	0x164	Return total <i>width</i> of the display in pixels.
window-top	(-- border-height)	0x165	Return window top border in pixels.
window-left	(-- border-width)	0x166	Return window left border in pixels.
char-height	(-- height)	0x16C	Return the <i>height</i> of a font character in pixels.
char-width	(-- width)	0x16D	Return the <i>width</i> of a font character in pixels.
fontbytes	(-- bytes)	0x16F	Return interval between entries in the font table.

5.3.6.3 Display device support

This subclause defines support routines used in *FCode frame-buffer packages*:

5.3.6.3.1 Frame-buffer package interface

is-install	(xt --)	0x11C	Create open and other methods for this display device.
is-remove	(xt --)	0x11D	Create close method for this display device.
is-selftest	(xt --)	0x11E	Create selftest method for this display device.

5.3.6.3.2 Generic one-bit frame-buffer support (optional)

See annex H.

5.3.6.3.3 Generic eight-bit frame-buffer support

The “**fb8**” generic *frame-buffer support package* implements the *display device interface* for frame buffers with 8 bits per pixel.

fb8-install	(width height #columns #lines --)	0x18B	Install all built-in generic 8-bit frame-buffer routines.
fb8-draw-character	(char --)	0x180	Implement the “ fb8 ” draw-character function.
fb8-reset-screen	(--)	0x181	Implement the “ fb8 ” reset-screen function.
fb8-toggle-cursor	(--)	0x182	Implement the “ fb8 ” toggle-cursor function.
fb8-erase-screen	(--)	0x183	Implement the “ fb8 ” erase-screen function.
fb8-blink-screen	(--)	0x184	Implement the “ fb8 ” blink-screen function.
fb8-invert-screen	(--)	0x185	Implement the “ fb8 ” invert-screen function.
fb8-insert-characters	(n --)	0x186	Implement the “ fb8 ” insert-characters function.
fb8-delete-characters	(n --)	0x187	Implement the “ fb8 ” delete-characters function.
fb8-insert-lines	(n --)	0x188	Implement the “ fb8 ” insert-lines function.
fb8-delete-lines	(n --)	0x189	Implement the “ fb8 ” delete-lines function.
fb8-draw-logo	(line# addr width height --)	0x18A	Implement the “ fb8 ” draw-logo function.

5.3.7 Other FCode functions

5.3.7.1 Peek/poke

The following functions attempt a read or write access at a possibly invalid address, returning a flag indicating whether or not an access error occurred:

cpeek	(addr -- false byte true)	0x220	Attempt to fetch the <i>byte</i> at <i>addr</i> .
wpeek	(waddr -- false w true)	0x221	Attempt to fetch the doublet <i>w</i> at <i>waddr</i> .
lpeek	(qaddr -- false quad true)	0x222	Attempt to fetch the quadlet at <i>qaddr</i> .
cpoke	(byte addr -- okay?)	0x223	Attempt to store the <i>byte</i> to <i>addr</i> .
wpoke	(w waddr -- okay?)	0x224	Attempt to store the doublet <i>w</i> to <i>waddr</i> .
lpoke	(quad qaddr -- okay?)	0x225	Attempt to store the quadlet to <i>qaddr</i> .

5.3.7.2 Device-register access

The following functions are used to access device registers, providing a predictable access model in the presence of such effects as byte order differences across bus bridges, presence of write buffers, and so forth. Unlike the standard

Forth data-access words **c@**, **c!**, **@**, and **!**, these words are guaranteed to read or write with a single access operation.

rb@	(addr -- byte)	0x230	Fetch a byte from device register at <i>addr</i> .
rw@	(waddr -- w)	0x232	Fetch a doublet <i>w</i> from device register at <i>waddr</i> .
rl@	(qaddr -- quad)	0x234	Fetch a quadlet from device register at <i>qaddr</i> .
rb!	(byte addr --)	0x231	Store a byte to device register at <i>addr</i> .
rw!	(w waddr --)	0x233	Store a doublet <i>w</i> to device register at <i>waddr</i> .
rl!	(quad qaddr --)	0x235	Store a quadlet to device register at <i>qaddr</i> .

5.3.7.3 Time

These functions provide basic real-time measurements and delays. The accuracy of time values is system-dependent.

get-msecs	(-- n)	0x125	Return elapsed time in milliseconds.
ms	(n --)	0x126	Delay for at least <i>n</i> milliseconds.
alarm	(xt n --)	0x213	Execute <i>xt</i> repeatedly at intervals of <i>n</i> milliseconds.
user-abort	(... --) (R: ... --)	0x219	After alarm routine is finished, abort program execution.

5.3.7.4 System information

fcode-revision	(-- n)	0x87	Return revision level of FCode interface.
mac-address	(-- mac-str mac-len)	0x1A4	Return a sequence of bytes containing network address.

5.3.7.5 FCode self-test

These functions are used primarily to implement **selftest** methods:

display-status	(n --)	0x121	Display the results of a device self-test.
memory-test-suite	(addr len -- fail?)	0x122	Perform tests of memory, starting at <i>addr</i> for <i>len</i> bytes.
mask	(-- a-addr)	0x124	variable to control bits tested with memory-test-suite .
diagnostic-mode?	(-- diag?)	0x120	If true , boot from diag sources; perform longer self-tests.

5.3.7.6 Start and end

These functions begin, end, and partition *FCode programs*. *Spread* is the distance in address units between consecutive bytes of the FCode program.

start0	(--)	0xF0	Begin program with <i>spread</i> 0 followed by <i>FCode-header</i> .
start1	(--)	0xF1	Begin program with <i>spread</i> 1 followed by <i>FCode-header</i> .
start2	(--)	0xF2	Begin program with <i>spread</i> 2 followed by <i>FCode-header</i> .
start4	(--)	0xF3	Begin program with <i>spread</i> 4 followed by <i>FCode-header</i> .
version1	(--)	0xFD	Begin program with <i>spread</i> 1 followed by <i>FCode-header</i> .
end0	(--)	0x00	Cease evaluating this FCode program.
end1	(--)	0xFF	Cease evaluating this FCode program.
ferror	(--)	0xFC	Standard FCode number for undefined FCode functions.
suspend-fcode	(--)	0x215	Pause FCode evaluation if desired; can resume later.
new-device	(--)	0x11F	Start new package as child of <i>active package</i> .
finish-device	(--)	0x127	Finish this package; set <i>active package</i> to parent.
byte-load	(addr xt --)	0x23E	Evaluate FCode beginning at location <i>addr</i> .
set-args	(arg-str arg-len unit-str unit-len --)	0x23F	Set address and arguments of new device node.

5.4 Standard FCode program

5.4.1 Overall structure

A standard *FCode program*

- shall begin with the *FCode#* for one of the following *FCode functions*:
version1, start0, start1, start2, start4
- shall end with the *FCode#* for one of the following *FCode functions*:
end0, end1
- may contain a sequence of other *FCode#s* between the beginning code and the ending code.

5.4.2 Usage rules

A standard *FCode program* shall comply with all of the following rules.

- Each *FCode#* that corresponds to an *FCode function* that reads from the FCode program shall be followed by the appropriate in-line data with the following exception: If the *FCode#* is itself the in-line data for some other FCode function (for example the *FCode#* that follows **b(')**), it shall not be followed by additional in-line data.'
- During FCode evaluation, the compilation and control flow stack effects shall balance throughout the FCode program as a whole.
- For all possible execution paths, the contents of the stack shall be appropriate, at each execution of an FCode function, for that FCode function. The program may assume that the *methods* of this program are called from the outside with valid stack arguments, and that any external methods that are called perform according to their specifications.
- Any external methods that are called from within the program shall be called with valid stack arguments.
- Ambiguous conditions or undefined parameter ranges of FCode functions or external methods shall be avoided.

6. Client interface

The *client interface* allows *client programs* (programs that have been *loaded* and executed under the control of Open Firmware) to make use of services provided by Open Firmware. The interface consists of a set of software procedures and a mechanism for calling and passing arguments and results to and from those procedures.

6.1 General

The Open Firmware *client interface* specifies the behavior of a *firmware* system so that *client programs* (programs that are *loaded* into and execute from RAM) begin their execution with a predictable machine state and may use various Open Firmware facilities. The client interface consists of both the specification of the machine environment that exists when the client program begins execution and the set of services that Open Firmware provides for the program's use.

6.1.1 Description

Client interface services are those services that Open Firmware provides to *client programs*, including *device tree* access, memory allocation, mapping, console I/O, mass storage and network I/O, and other services.

The *client execution environment* is the machine state that exists when a client program begins execution.

6.1.2 Specification

In order to be compliant with the Open Firmware *client interface*, the boot *firmware* associated with a main CPU *device* shall

- Implement the set of *client interface services* defined in this clause and provide the *client execution environment* specified in this clause.
- Implement these standard system nodes: `/openprom`, `/options`, `/chosen`, and “memory” (the node whose *ihandle* is given by the value of `/chosen`'s “**memory**” *property*).

6.1.3 Warning

The services provided herein may cease to be available if the *client program* does any of the following:

- Uses system memory not obtained from the *client interface* memory-allocation functions.
- Performs virtual-address-mapping operations, except by executing virtual-address-mapping client interface routines which may be provided as system-dependent extensions to Open Firmware.
- Directly modifies the state of any hardware *device* that is in use by the *firmware* (for example the console device). The list of such devices is system-dependent.
- Directly modifies the state of certain processor registers. The list of such registers is processor-dependent. Supplements to this document may specify such registers for particular processors.

6.2 Client program environment

The details of the *client execution environment* are ISA-dependent and are specified in Open Firmware ISA-specific supplements (see 2.1).

6.3 Client interface services

6.3.1 Access to the client interface functions

The Open Firmware *client interface handler* is a mechanism by which control and data are transferred from a *client program* to the *firmware*, and subsequently returned, for the purpose of providing *client interface services*. The data is transferred by means of an array of arguments and results whose address is provided to the client interface handler. The contents of that array is specified in this clause, but the detailed mechanism for transferring control and for providing the address of the array to the client interface handler is specified in the Open Firmware supplement for each ISA (see 2.1).

The argument array consists of the following sequence of cells:

Cell Name	Contents
<code>service</code>	Address of a null-terminated string specifying the client interface service.
<code>N-args</code>	Number of input arguments to the client interface service.
<code>N-returns</code>	Number of return values from the client interface service.
<code>arg1, ..., argN</code>	Input arguments to the client interface service.
<code>ret1, ..., retN</code>	Returned values from the client interface service.

The argument `service` is the address of a null-terminated string that specifies which firmware service is to be invoked. The arguments `N-args` and `N-returns` specify the number of calling arguments and return values; they must agree with the number of arguments and return values expected by the particular service. Each argument `arg1` through `argN` is either represented literally in the argument array (if it can fit into a cell) or is a pointer to the actual argument (if it requires more storage than a single cell); the return values are represented similarly. The form of these arguments and return values depends upon the particular service and may be constants, strings, data structures, or other arbitrary data.

In addition to the `ret1` through `retN` values that are returned in the array, the client interface handler returns a single value as specified in the Open Firmware supplement for the appropriate ISA (see 2.1). That value indicates whether the transfer of control to the Open Firmware succeeded or failed. If the requested service is unavailable or if the control transfer failed, the client interface handler returns the value `-1`; otherwise, it returns the value zero.

Client interface service names shall be drawn from the character set “0-9 A-Z a-z , _ + -” and shall be at most 31 characters in length. Client interface service names as defined in this specification shall not include a “;”. Manufacturers may define proprietary client interface services; any services so defined shall contain the manufacturer’s name followed by a “;”, followed by the interface service name.

6.3.2 Client interface service definitions

In the following definitions, all arguments and return values are cells. The first item listed corresponds with `arg1`, the second with `arg2`, continuing through the *n*th item. The keyword `none` indicates that there is no argument or return value for this service. The modifier `[string]` indicates that this argument or return value is the address of a null-terminated string. The modifier `[address]` indicates that this argument or return value is an address.

6.3.2.1 Client interface

test

IN: [string] name

OUT: missing

Missing is 0 if the service *name* exists, and `-1` if it does not exist.

6.3.2.2 Device tree

peer

IN: phandle
 OUT: sibling-phandle

Sibling-phandle is either the identifier of the device node that is the next sibling of the device node identified by *phandle* or zero if there are no more siblings. If *phandle* is zero, *sibling-phandle* is the identifier of the root node.

child

IN: phandle
 OUT: child-phandle

Child-phandle is either the identifier of the device node that is the first child of the device node identified by *phandle* or zero if there are no children.

parent

IN: phandle
 OUT: parent-phandle

Parent-phandle is either the node identifier of the device node that is the parent of the device node identified by *phandle* or zero if *phandle* is the identifier of the root node.

instance-to-package

IN: ihandle
 OUT: phandle

Phandle is either the identifier corresponding to the instance identifier *ihandle* or -1 if there is no instance identifier *ihandle*.

If *phandle* is -1 , Open Firmware was unable to translate *ihandle*. Open Firmware may, but is not required to, check the validity of an *ihandle*.

getproplen

IN: phandle, [string] name
 OUT: proplen

Proplen is either the length of the value associated with the property *name* in the device node identified by *phandle*, zero if the property *name* exists but has no corresponding value, or -1 if the property *name* does not exist.

getprop

IN: phandle, [string] name, [address] buf, buflen
 OUT: size

Copies a maximum of *buflen* bytes of the value of the property *name* in the device node identified by *phandle* into the memory pointed to by *buf*. *Size* is either the actual size of the property, or -1 if *name* does not exist.

nextprop

IN: phandle, [string] previous, [address] buf
 OUT: flag

Copies the name of the property following *previous* in the property list of the device node identified by *phandle* into *buf*, as a null-terminated string. *Buf* is the address of a 32-byte region of memory. If *previous* is zero or a pointer to a null string, copies the name of the device node's first property. If there are no more properties after *previous* or if *previous* is invalid (i.e., names a property which does not exist in that device node), copies a null string. The return value *flag* is -1 if *previous* is invalid, zero if there are no more properties after *previous*, or 1 otherwise.

setprop

IN: phandle, [string] name, [address] buf, len
OUT: size

Sets the property value of the property *name* in the device node identified by *phandle* to the value beginning at memory address *buf* and continuing for *len* bytes, attempting to create the property if it does not exist. *Size* is the actual length of the new value, or -1 if the property value could not be set or could not be created.

NOTE—There may be a length limitation on the property values of the “/options” node, which are stored as fields in nonvolatile RAM. In such cases, the property value could be truncated to fit the available space.

canon

IN: [string] device-specifier, [address] buf, buflen
OUT: length

This service converts the possibly ambiguous *device-specifier* to a fully qualified pathname, storing, at most, *buflen* bytes as a null-terminated string in the memory buffer starting at the address *buf*. If the length of the null-terminated pathname is greater than *buflen*, the trailing characters and the null terminator are not stored. *Length* is the length of the fully qualified pathname excluding any null terminator, or -1 if the pathname is invalid.

finddevice

IN: [string] device-specifier
OUT: phandle

Phandle is the identifier of the device node selected by *device-specifier*, as with **find-device**, or -1 if *device-specifier* cannot be matched. In either case, the *active package* is unaffected.

instance-to-path

IN: ihandle, [address] buf, buflen
OUT: length

This service returns the fully qualified pathname corresponding to the identifier *ihandle*, storing, at most, *buflen* bytes as a null-terminated string in the memory buffer starting at the address *buf*. If the length of the null-terminated pathname is greater than *buflen*, the trailing characters and the null terminator are not stored. *Length* is the length of the fully qualified pathname excluding any null terminator, or -1 if *ihandle* is invalid.

package-to-path

IN: phandle, [address] buf, buflen
OUT: length

Returns the fully qualified pathname corresponding to the node identifier *phandle*, storing, at most, *buflen* bytes as a null-terminated string in the memory buffer starting at the address *buf*. If the length of the null-terminated pathname is greater than *buflen*, the trailing characters and the null terminator are not stored. *Length* is the length of the fully qualified pathname excluding any null terminator, or -1 if *phandle* is invalid.

call-method

IN: [string] method, *ihandle*, *stack-arg1*, ..., *stack-argP*
 OUT: *catch-result*, *stack-result1*, ..., *stack-resultQ*

Pushes two less than *N-args* items, *stack-arg1*, ..., *stack-argP*, onto the Forth data stack, with *stack-arg1* on top of the stack, and executes the package method named *method* in the instance *ihandle* as with **\$call-method**, guarded by **catch**. Pops the result returned by **catch** into *catch-result*. If that result is nonzero, restore the depth of the Forth data stack to its depth prior to the execution of **call-method**. If that result is zero, pops up to one less than *N-returns* items, *stack-result1*, ..., *stack-resultQ*, from the Forth data stack into the returned values portion of the argument array, with *stack-result1* corresponding to the top of the stack.

N-args and *N-returns* are stored in the argument array and may be different for different calls to **call-method**. If the number of items *X* left on the Forth data stack as a result of the execution of *method* is less than *N-returns*, only *stack-result1* ... *stack-resultX* are modified; other elements of the returned values portion of the argument array are unaffected. If *X* is more than *N-returns*, additional items are popped from the Forth data stack after setting *stack-result1* ... *stack-resultQ* so that, in all cases, the execution of **call-method** results in no net change to the depth of the Forth data stack.

An implementation shall allow at least six *stack-arg* and six *stack-result* items.

6.3.2.3 Device I/O**open**

IN: [string] *device-specifier*
 OUT: *ihandle*

Opens the package named by *device-specifier* as with **open-dev**, returning the instance identifier *ihandle*. *Ihandle* is zero if the operation fails.

The same package can be opened more than once if the particular package permits it, in which case a distinct *ihandle* will be returned each time.

close

IN: *ihandle*
 OUT: none

Closes the instance identified by *ihandle* as with **close-dev**; subsequent use of that *ihandle* is invalid.

A *client program* should close instances it has opened after the instances are no longer needed, in order to release resources and to deactivate any associated devices.

read

IN: *ihandle*, [address] *addr*, *len*
 OUT: *actual*

Executes the **read** method in the instance *ihandle* with arguments *addr* and *len*. *Actual* is either the value returned by that **read** method or -1 if that instance does not have a **read** method.

write

IN: *ihandle*, [address] *addr*, *len*
 OUT: *actual*

Executes the **write** method in the instance *ihandle* with arguments *addr* and *len*. *Actual* is either the value returned by that **write** method or -1 if that instance does not have a **write** method.

seek

IN: *ihandle*, *pos.hi*, *pos.lo*
 OUT: *status*

Executes the **seek** method in the instance *ihandle* with arguments *pos.hi* and *pos.lo*. *Status* is either the value returned by that **seek** method or -1 if that instance does not have a **seek** method.

6.3.2.4 Memory

claim

IN: [address] virt, size, align
OUT: [address] baseaddr

Allocates *size* bytes of memory. If *align* is zero, the allocated range begins at the virtual address *virt*. Otherwise, an aligned address is automatically chosen and the input argument *virt* is ignored. The *alignment* boundary is the smallest power of two greater than or equal to the value of *align*; an *align* value of 1 signifies 1-byte alignment. *Base* is the beginning address of the allocated memory (equal to *virt* if *align* was 0) or -1 if the operation fails (for example, if the requested virtual address is unavailable).

The range of physical memory and virtual addresses affected by this operation will be unavailable for subsequent mapping or allocation operations until freed by *release*.

release

IN: [address] virt, size
OUT: none

Frees *size* bytes of physical memory starting at virtual address *virt*, making that physical memory and the corresponding range of virtual address space available for later use. That memory must have been previously allocated by *claim*.

6.3.2.5 Control transfer

boot

IN: [string] bootspec
OUT: none

Exits the *client program*, resets the system (as with the command **reset-all**), and reboots the system with the device and arguments given by the null-terminated string *bootspec*. The string *bootspec* is interpreted in the same manner as the arguments of the command **boot**.

enter

IN: none
OUT: none

Enters the Open Firmware command interpreter (e.g., called by the operating system after a console input device abort). The client program may be resumed if the user continues execution with the **go** command.

exit

IN: none
OUT: none

Exits from the client program. The execution of the client program may not be resumed.

chain

IN: [address] virt, size, [address] entry, [address] args, len
OUT: none

Frees *size* bytes of memory starting at virtual address *virt*, then executes another client program beginning at address *entry*. The argument buffer *args, len* is copied into the Open Firmware memory and passed to the other program. The address of the arguments in the Open Firmware memory is the client program's second argument, and their length is its third argument. *chain* is used to free any remaining memory for a secondary boot program and begin executing the booted program.

NOTE—The behavior of the *chain client interface service* includes the functions of **init-program** and **go** on behalf of the new client program, but does not include the functions of reading the client program into memory, parsing its header, or allocating its memory.

6.3.2.6 User interface

`interpret`

IN: [string] *cmd*, *stack-arg1*, ..., *stack-argP*
OUT: *catch-result*, *stack-result1*, ..., *stack-resultQ*

Pushes one less than *N-args* items, *stack-arg1*, ..., *stack-argP*, onto the Forth data stack, with *stack-arg1* on top of the stack; executes the null-terminated string *cmd* as a Forth command line guarded by **catch**. Pops the result returned by **catch** into *catch-result*. If that result is nonzero, restore the depth of the Forth data stack to its depth prior to the execution of `interpret`. If that result is zero, pops up to one less than *N-returns* items, *stack-result1*, ..., *stack-resultQ*, from the Forth data stack into the returned values portion of the argument array, with *stack-result1* corresponding to the top of the stack.

N-args and *N-returns* are stored in the argument array and may be different for different calls to `interpret`. If the number of items *X* left on the Forth data stack as a result of the execution of *cmd* is less than *N-returns*, only *stack-result1*, ..., *stack-resultX* are modified; other elements of the returned values portion of the argument array are unaffected. If *X* is more than *N-returns*, additional items are popped from the Forth data stack after setting *stack-result1*, ..., *stack-resultQ* so that, in all cases, the execution of `interpret` results in no net change to the depth of the Forth data stack.

An implementation shall allow at least six *stack-arg* and six *stack-result* items.

`interpret` is optional; it need be present only if the Open Firmware user interface is present.

`set-callback`

IN: [address] *newfunc*
OUT: [address] *oldfunc*

Client programs may define a routine for handling the Open Firmware routines **callback** and **sync**. *Newfunc* is the address of the entry point of the callback routine. This service sets the callback handler to *newfunc* and returns as *oldfunc* the address of the entry point of the previously installed callback handler.

The Open Firmware shall use the same calling conventions specified in 6.3.1 for *client interface services* when calling the callback handler function. See **callback** and **\$callback** glossary entries for details.

A client program callback handler shall return either a nonzero error code in the *ret1* cell of the argument array if the service indicated by the service argument is unavailable, or zero otherwise. The client program callback handler shall return any additional results in the *ret2* ... *retN* cells, setting *N-returns* to the total number of return values including the error code (or zero) that is in the *ret1* cell. The handler shall not store more than *M* results, where *M* is the value that was in the *N-returns* cell when the handler was called, nor shall the returned value of *N-returns* exceed *M*.

set-symbol-lookup

IN: [address] sym-to-value, [address] value-to-sym
OUT: none

Sets the symbol table resolution **defer** words **sym>value** and **value>sym** so that they execute the client program callbacks whose addresses are given by the arguments *sym-to-value* and *value-to-sym*, respectively. If either argument is zero, the corresponding **defer** word is set to the action of **false**.

sym-to-value is called as follows:

IN: [string] symname
OUT: error, symvalue

Searches for a symbol whose name is *symname*. If such a symbol is found, returns zero in *error* and the symbol's value in *symvalue*. If no such symbol is found, returns -1 in *error* and zero in *symvalue*.

value-to-sym is called as follows:

IN: symvalue
OUT: offset, [string] symname

Locates the symbol whose value is closest to but not greater than *symvalue* and returns *offset*, the non-negative offset from the value of that symbol to *symvalue*, and *symname*, the symbol name. If *symvalue* is less than the value of any known symbol, or is insufficiently close to any symbol value according to an implementation-dependent criterion, returns -1 in *offset* and the empty string in *symname*.

`set-symbol-lookup` is optional; it need be present only if the Open Firmware user interface is present and the Client Program Debugging *command group* (see 7.6) is implemented.

6.3.2.7 Time

milliseconds

IN: none
OUT: ms

Returns a number that increases periodically, representing the passage of time in units of one millisecond. The granularity of this clock (i.e., the amount by which the number increases when it changes) is system-dependent.

7. User interface

The *user interface* allows a person to use Open Firmware services for such purposes as configuration management and debugging of hardware, software, and *firmware*. The interface consists of facilities for keyboard input, line editing, and display output, and an evaluator (the Forth *command interpreter*) for the Forth programming language.

7.1 General

The Open Firmware *user interface* specifies the behavior of a *firmware* system so that a human may interact with it for such purposes as configuration management, control of the booting process, and the debugging of hardware, *client programs*, *device drivers*, and the firmware itself.

7.1.1 Description

A standard *command interpreter* accepts and executes commands, typically entered interactively by a human, according to defined command editing, syntax, and semantic rules. A standard command interpreter is typically a component of the boot *firmware* associated with a CPU board.

A *command group* is a set of commands with defined behaviors, the group as a whole providing some particular capability (for example, one group of commands is concerned with *client program* debugging). Each command in the group may be executed via a standard command interpreter. This standard defines several such groups. Most such groups are optional. This clause lists the commands that comprise the individual command groups. The detailed specification of the commands themselves is given in annex A.

A standard program is a program, written in the language defined by the specification of the standard command interpreter in conjunction with the specification of one or more command groups, that obeys prescribed rules for program structure and usage. Consequently, its behavior is predictable when executed by a standard command interpreter. A standard program is typically either entered interactively by a human, downloaded from some storage device, or stored within the *script* (see 7.4.4.2).

7.1.2 Specification

In order to be compliant with the Open Firmware *user interface*, the boot *firmware* associated with a main CPU device shall implement a standard *command interpreter* that accepts user input as defined in this clause and one or more of the *command groups* defined herein (see figure 2). It should implement the Administration and the Forth Language command groups. It may implement additional commands that are not defined in this specification.

A command group implementation shall include all of the words and capabilities listed for that command group (except those words that are explicitly denoted as optional), and shall have behaviors as given.

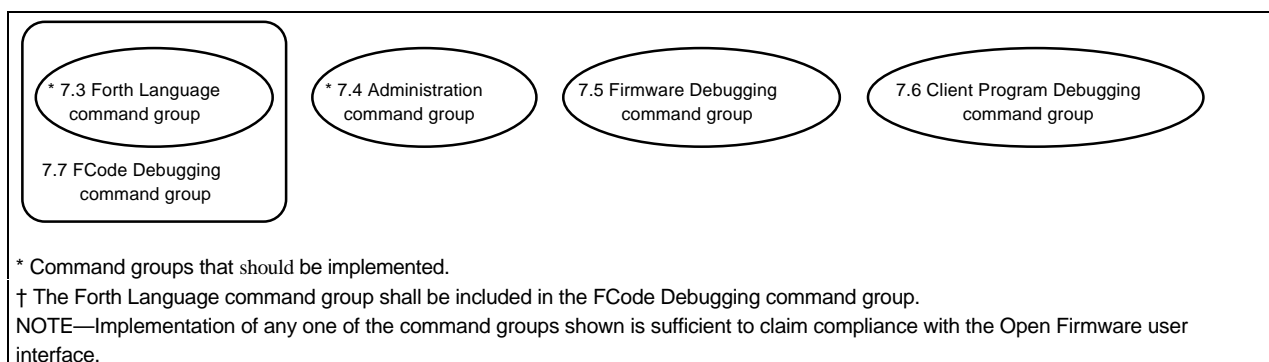


Figure 2—Open Firmware user interface command groups

7.1.3 Warning

The Open Firmware *user interface* is not required to operate correctly after a *client program* has begun execution, because, in general, it is possible for a client program to modify system state in ways that are inconsistent with continued *firmware* operation.

7.2 Standard command interpreter

7.2.1 Command interpretation

Command lines are interpreted as specified by ANSI X3.215-1994 and 2.3.3, with the following clarifications:

- Although Open Firmware implementations are encouraged to leave the numeric conversion radix set to sixteen (hexadecimal) in normal operation, the implementation is not required to establish a particular radix before evaluating a Forth program or an *FCode program*, nor is it required to do so when executing device *methods*. Consequently, if a program requires a particular radix, it must explicitly set the radix (e.g., with **decimal** or **hex**).
- In accordance with ANSI X3.215-1994, an Open Firmware *command interpreter* treats numbers that end with a period (e.g., 123456.) as double numbers. Unlike ANSI X3.215-1994, which does not specify what happens with embedded periods, an Open Firmware command interpreter ignores “.” or “;” at other positions within numbers (e.g., 120.0000). Such embedded periods or commas may be used to make it easier for humans to read the numbers, but have no significance to the command interpreter. By convention, such periods or commas usually appear four digits from the right.
- At a given time, the process of searching for *Forth words* depends on whether or not there is an *active package*. If there is an active package, searching considers first the methods of that package, followed by globally visible Forth commands. If there is not an active package, searching considers only globally visible Forth commands.

7.2.2 Command-line editing

All keys typed by the user are echoed on the command line, except where noted. When the Return key (sometimes called the Enter key) is pressed, the edited line is presented to the command interpretation process.

The following keys edit the command line while it is being entered:

Backspace	Erases the character before the cursor.
Delete	Erases the character before the cursor.
Control-U	Erases the entire line.
Return (Enter)	Finishes editing the line, making it available to the program.

7.2.3 Command-line editor extensions

The optional command-line editor extension provides additional command line editing capabilities.

These are user keystrokes, typed by the user while composing a command line. They allow a variety of convenient mechanisms for the user, including line editing, command history, and command completion.

The notation “^” means to hold down the Control key while typing the following character. “esc-” means to depress and release the “escape” key, then depress and release the following character.

7.2.3.1 Intraline editing

These command keystrokes alter the command line being typed. The editing cursor is considered to be between two adjacent characters. For displays that can only indicate the cursor position by highlighting a particular character, the character following the “true” cursor position should be highlighted.

Normal typed characters are inserted at the cursor position. Typing the Return key sends the entire visible line to be interpreted (regardless of the current cursor position).

Each of the following keystrokes shall perform the function of erasing the previous character: ^h, Delete key (if present), Backspace key (if present). If a system has both a Delete key and a Backspace key, each of these keys shall perform the “delete character” function.

Keystroke	Description
^b	Moves backward one character.
esc-b	Moves backward one word.
^f	Moves forward one character.
esc-f	Moves forward one word.
^a	Moves backward to beginning of line.
^e	Moves forward to end of line.
Delete	Erases previous character.
Backspace	Erases previous character.
^h	Erases previous character.
esc-h	Erases from beginning of word to just before the cursor, storing erased characters in a save buffer.
^w	Erases from beginning of word to just before the cursor, storing erased characters in a save buffer.
^d	Erases next character.
esc-d	Erases from cursor to end of the word, storing erased characters in a save buffer.
^k	Erases from cursor to end of line, storing erased characters in a save buffer.
^u	Erases entire line, storing erased characters in a save buffer.
^r	Retypes the line.
^q	Quotes next character (allows the insertion of control characters).
^y	Inserts the contents of the save buffer before the cursor.

7.2.3.2 Command-line history

These command keystrokes recall previously typed command lines. Once recalled, they may be edited and/or submitted for execution (by typing the Return key). At least eight previous command lines shall be saved.

Keystroke	Description
^p	Selects and displays the previous line for subsequent editing.
^n	Selects and displays the next line for subsequent editing.
^l	Displays the entire command history list.

7.2.3.3 Command completion

The command-completion function makes it easier for the user to enter long command names. After typing a portion of the desired word, typing the “completion” keystroke causes the system to search the dictionary of defined words, looking for word names beginning with the characters typed so far. If there is exactly one such word, the rest of the characters are filled in automatically. If there are several possibilities, the system fills in any additional characters that are common to all the candidates. If there are no defined word names starting with the given characters, characters are erased until there are candidates for the remaining characters.

Similarly, the “show” keystroke displays all words that begin with the letters supplied.

Keystroke	Description
^<space>	Complete this word.
^? or ^/	Show all possible matches.

7.3 Forth language command group

This clause does not attempt to describe how to use the Forth programming language; it simply lists the Forth commands that are required for conformance with this standard. More information about Forth may be found in the bibliography in ANSI X3.215-1994.

Commands in this subclause provide the basic Forth language structure. Many commands listed are also *FCode functions*. Unless stated otherwise, all commands shown may be used from the *ok* prompt within *colon definitions* and within downloaded Forth programs.

7.3.1 Stack

This subclause describes basic stack manipulation tools.

7.3.1.1 Stack duplication

These commands duplicate stack items and have no other effect.

dup	(x -- x x)	Duplicate the top item on the stack.
2dup	(x1 x2 -- x1 x2 x1 x2)	Duplicate the top two items on the stack.
3dup	(x1 x2 x3 -- x1 x2 x3 x1 x2 x3)	Duplicate three stack items.
?dup	(x -- 0 x x)	Duplicate top stack item if it is nonzero.
over	(x1 x2 -- x1 x2 x1)	Copy second stack item to top of stack.
2over	(x1 x2 x3 x4 -- x1 x2 x3 x4 x1 x2)	Copy second pair of stack items to top of stack.
pick	(xu ... x1 x0 u -- xu ... x1 x0 xu)	Copy <i>u</i> th stack item to top of stack.
tuck	(x1 x2 -- x2 x1 x2)	Copy top stack item underneath the second stack item.

7.3.1.2 Stack removal

These commands remove stack items and have no other effect.

clear	(... --)	Empty the stack.
drop	(x --)	Remove top item from the stack.
2drop	(x1 x2 --)	Remove top two items from the stack.
3drop	(x1 x2 x3 --)	Remove top three items from the stack.
nip	(x1 x2 -- x2)	Remove the second stack item.

7.3.1.3 Stack rearrangement

These commands rearrange stack items and have no other effect.

roll	(xu ... x1 x0 u -- xu-1 ... x1 x0 xu)	Rotate <i>u</i> +1 stack items as shown.
rot	(x1 x2 x3 -- x2 x3 x1)	Rotate top three stack items as shown.
-rot	(x1 x2 x3 -- x3 x1 x2)	Rotate top three stack items as shown.
2rot	(x1 x2 x3 x4 x5 x6 -- x3 x4 x5 x6 x1 x2)	Rotate three pairs of stack items as shown.
swap	(x1 x2 -- x2 x1)	Exchange top two stack items.
2swap	(x1 x2 x3 x4 -- x3 x4 x1 x2)	Exchange top two pairs of stack items.

7.3.1.4 Return stack

The *return stack* is a second stack used for system purposes. It may also be used as a temporary stack by the Forth programmer; however, there are strong restrictions on such usage as specified by ANSI X3.215-1994 (see 3.2.3.3).

>r	(x --) (R: -- x)	Move top stack item to the return stack.
r>	(-- x) (R: x --)	Move top return stack item to the stack.
r@	(-- x) (R: x -- x)	Copy top return stack item to the stack.

7.3.1.5 Stack depth

The **depth** command is useful for error detection, by checking the total depth of the stack to find unintended stack effects.

depth	(-- u)	Return count of items on the stack.
--------------	----------	-------------------------------------

7.3.2 Arithmetic

7.3.2.1 Single-precision integer arithmetic

+	(nu1 nu2 -- sum)	Add <i>nu1</i> to <i>nu2</i> .
-	(nu1 nu2 -- diff)	Subtract <i>nu2</i> from <i>nu1</i> .
*	(nu1 nu2 -- prod)	Multiply <i>nu1</i> by <i>nu2</i> .
u*	(u1 u2 -- uprod)	Multiply <i>u1</i> by <i>u2</i> yielding <i>uprod</i> , all unsigned.
/	(n1 n2 -- quot)	Divide <i>n1</i> by <i>n2</i> ; return quotient.
*/	(n1 n2 n3 -- quot)	Calculate <i>n1</i> times <i>n2</i> divided by <i>n3</i> .
mod	(n1 n2 -- rem)	Divide <i>n1</i> by <i>n2</i> ; return remainder.
/mod	(n1 n2 -- rem quot)	Divide <i>n1</i> by <i>n2</i> ; return remainder and quotient.
*/mod	(n1 n2 n3 -- rem quot)	Calculate <i>n1</i> times <i>n2</i> divided by <i>n3</i> .
u/mod	(u1 u2 -- urem uquot)	Divide <i>n1</i> by <i>n2</i> , all unsigned.
1+	(nu1 -- nu2)	Add 1 to <i>nu1</i> .
1-	(nu1 -- nu2)	Subtract 1 from <i>nu1</i> .
2+	(nu1 -- nu2)	Add 2 to <i>nu1</i> .
2-	(nu1 -- nu2)	Subtract 2 from <i>nu1</i> .
abs	(n -- u)	Return absolute value of <i>n</i> .
negate	(n1 -- n2)	Return negation of <i>n1</i> .
max	(n1 n2 -- n1 n2)	Return greater of <i>n1</i> and <i>n2</i> .
min	(n1 n2 -- n1 n2)	Return lesser of <i>n1</i> and <i>n2</i> .
bounds	(n cnt -- n+cnt n)	Prepare arguments for do or ?do loop.
even	(n -- n n+1)	Round to nearest even integer <i>_n</i> .

7.3.2.2 Bitwise logical operators

lshift	(x1 u -- x2)	Shift <i>x1</i> left by <i>u</i> bit-places. Zero-fill low bits.
rshift	(x1 u -- x2)	Shift <i>x1</i> right by <i>u</i> bit-places. Zero-fill high bits.
>>a	(x1 u -- x2)	Arithmetic shift <i>x1</i> right by <i>u</i> bit-places.
<<	(x1 u -- x2)	Synonym for lshift .
>>	(x1 u -- x2)	Synonym for rshift .
2*	(x1 -- x2)	Shift <i>x1</i> left by one bit-place. Zero-fill low bit.
u2/	(x1 -- x2)	Shift <i>x1</i> right by one bit-place. Zero-fill high bit.
2/	(x1 -- x2)	Shift <i>x1</i> right by one bit-place. High bit unchanged.
and	(x1 x2 -- x3)	Return bitwise logical “and” of <i>x1</i> and <i>x2</i> .

(continued)

or	(<i>x1</i> <i>x2</i> -- <i>x3</i>)	Return bitwise logical “inclusive-or” of <i>x1</i> and <i>x2</i> .
xor	(<i>x1</i> <i>x2</i> -- <i>x3</i>)	Return bitwise logical “exclusive-or” of <i>x1</i> and <i>x2</i> .
invert	(<i>x1</i> -- <i>x2</i>)	Invert all bits of <i>x1</i> .
not	(<i>x1</i> -- <i>x2</i>)	Synonym for invert .

7.3.2.3 Double number arithmetic

Double numbers occupy two stack items. The most significant half of the double is always the topmost stack item.

s>d	(<i>n1</i> -- <i>d1</i>)	Convert a number to a double number.
d+	(<i>d1</i> <i>d2</i> -- <i>d.sum</i>)	Add <i>d1</i> to <i>d2</i> giving double number <i>d.sum</i> .
d-	(<i>d1</i> <i>d2</i> -- <i>d.diff</i>)	Subtract <i>d2</i> from <i>d1</i> giving double number <i>d.diff</i> .
um*	(<i>u1</i> <i>u2</i> -- <i>ud</i>)	Unsigned multiply with unsigned double number product.
m*	(<i>n1</i> <i>n2</i> -- <i>d</i>)	Signed multiply with double number product.
um/mod	(<i>ud</i> <i>u</i> -- <i>urem</i> <i>uquot</i>)	Divide <i>ud</i> by <i>u</i> .
fm/mod	(<i>d</i> <i>n</i> -- <i>rem</i> <i>quot</i>)	Divide <i>d</i> by <i>n</i> .
sm/rem	(<i>d</i> <i>n</i> -- <i>rem</i> <i>quot</i>)	Divide <i>d</i> by <i>n</i> , symmetric division.

7.3.2.4 Data type conversion

lbsplit	(<i>quad</i> -- <i>b.lo</i> <i>b2</i> <i>b3</i> <i>b4.hi</i>)	Split a quadlet into four bytes.
lwsplit	(<i>quad</i> -- <i>w1.lo</i> <i>w2.hi</i>)	Split a quadlet into two doublets.
wbsplit	(<i>w</i> -- <i>b1.lo</i> <i>b2.hi</i>)	Split a doublet into two bytes.
bljoin	(<i>b1.lo</i> <i>b2</i> <i>b3</i> <i>b4.hi</i> -- <i>quad</i>)	Join four bytes to form a quadlet.
bwjoin	(<i>b.lo</i> <i>b.hi</i> -- <i>w</i>)	Join two bytes to form a doublet.
wljoin	(<i>w.lo</i> <i>w.hi</i> -- <i>quad</i>)	Join two doublets to form a quadlet.
wbflip	(<i>w1</i> -- <i>w2</i>)	Swap the bytes within a doublet.
lbflip	(<i>q1</i> -- <i>q2</i>)	Reverse the bytes within a quadlet.
lwflip	(<i>q1</i> -- <i>q2</i>)	Swap the doublets within a quadlet.

7.3.2.5 Address arithmetic

/c	(-- <i>n</i>)	The number of address units to a byte: one.
/w	(-- <i>n</i>)	The number of address units to a doublet: typically, two.
/l	(-- <i>n</i>)	The number of address units to a quadlet: typically, four.
/n	(-- <i>n</i>)	The number of address units in a cell.
ca+	(<i>addr1</i> <i>index</i> -- <i>addr2</i>)	Increment <i>addr1</i> by <i>index</i> times the value of /c .
wa+	(<i>addr1</i> <i>index</i> -- <i>addr2</i>)	Increment <i>addr1</i> by <i>index</i> times the value of /w .
la+	(<i>addr1</i> <i>index</i> -- <i>addr2</i>)	Increment <i>addr1</i> by <i>index</i> times the value of /l .
na+	(<i>addr1</i> <i>index</i> -- <i>addr2</i>)	Increment <i>addr1</i> by <i>index</i> times the value of /n .
ca1+	(<i>addr1</i> -- <i>addr2</i>)	Synonym for char+ .
wa1+	(<i>addr1</i> -- <i>addr2</i>)	Increment <i>addr1</i> by the value of /w .
la1+	(<i>addr1</i> -- <i>addr2</i>)	Increment <i>addr1</i> by the value of /l .
na1+	(<i>addr1</i> -- <i>addr2</i>)	Synonym for cell+ .
/c*	(<i>nu1</i> -- <i>nu2</i>)	Synonym for chars .
/w*	(<i>nu1</i> -- <i>nu2</i>)	Multiply <i>nu1</i> by the value of /w .
/l*	(<i>nu1</i> -- <i>nu2</i>)	Multiply <i>nu1</i> by the value of /l .
/n*	(<i>nu1</i> -- <i>nu2</i>)	Synonym for /n* .
aligned	(<i>n1</i> -- <i>n1 a-addr</i>)	Increase <i>n1</i> as necessary to give a <i>var</i> -aligned address.
char+	(<i>addr1</i> -- <i>addr2</i>)	Increment <i>addr1</i> by the value of /c .
cell+	(<i>addr1</i> -- <i>addr2</i>)	Increment <i>addr1</i> by <i>index</i> times the value of /n .
chars	(<i>nu1</i> -- <i>nu2</i>)	Multiply <i>nu1</i> by the value of /c .
cells	(<i>nu1</i> -- <i>nu2</i>)	Multiply <i>nu1</i> by the value of /n .

7.3.3 Memory control

7.3.3.1 Memory access

The following commands can be used to access memory. Devices can be accessed using the commands in 5.3.7.2. See 7.7.

@	(a-addr -- x)	Fetch item <i>x</i> from address <i>a-addr</i> .
!	(x a-addr --)	Store item <i>x</i> to address <i>a-addr</i> .
2@	(a-addr -- x1 x2)	Fetch two items from <i>a-addr</i> , item <i>x2</i> from lower address.
2!	(x1 x2 a-addr --)	Store items <i>x1</i> and <i>x2</i> to <i>a-addr</i> , <i>x2</i> at lower address.
c@	(addr -- byte)	Fetch byte from <i>addr</i> .
c!	(byte addr --)	Store byte to <i>addr</i> .
w@	(waddr -- w)	Fetch doublet <i>w</i> from <i>waddr</i> .
<w@	(waddr -- n)	Fetch doublet <i>w</i> from <i>waddr</i> , sign-extended.
w!	(w waddr --)	Store doublet <i>w</i> to <i>waddr</i> .
l@	(qaddr -- quad)	Fetch quadlet from <i>qaddr</i> .
l!	(quad qaddr --)	Store quadlet to <i>qaddr</i> .
unaligned-w@	(addr -- w)	Fetch doublet <i>w</i> from <i>addr</i> , any alignment is allowed.
unaligned-w!	(w addr --)	Store doublet <i>w</i> to <i>addr</i> , any alignment is allowed.
unaligned-l@	(addr -- quad)	Fetch quadlet from <i>addr</i> , any alignment is allowed.
unaligned-l!	(quad addr --)	Store quadlet to <i>addr</i> , any alignment is allowed.
comp	(addr1 addr2 len -- ?diff?)	Compare two arrays of length <i>len</i> .
dump	(addr len --)	Display <i>len</i> bytes of memory starting at <i>addr</i> .
+	(nu a-addr --)	Add <i>nu</i> to the number stored at address <i>a-addr</i> .
off	(a-addr --)	Store false at address <i>a-addr</i> .
on	(a-addr --)	Store true at address <i>a-addr</i> .
move	(src-addr dest-addr len --)	Copy <i>len</i> bytes from <i>src-addr</i> to <i>dest-addr</i> .
fill	(addr len byte --)	Set <i>len</i> bytes beginning at <i>addr</i> to the value <i>byte</i> .
blank	(addr len --)	Set <i>len</i> bytes beginning at <i>addr</i> to the value 0x20.
erase	(addr len --)	Set <i>len</i> bytes beginning at <i>addr</i> to zero.
wbflips	(waddr len --)	Swap the bytes within each doublet in the given region.
lbflips	(qaddr len --)	Reverse the bytes within each quadlet in the given region.
lwflips	(qaddr len --)	Swap the doublets within each quadlet in the given region.

7.3.3.2 Memory allocation

The following commands allocate and free regions of memory. The address can be used directly; it does not need to be mapped before use.

alloc-mem	(len -- a-addr)	Allocate <i>len</i> bytes of memory.
free-mem	(a-addr len --)	Free memory allocated by alloc-mem .

7.3.4 Text input and output

This subclause describes commands used for text input, output, and manipulation.

7.3.4.1 Text input

These commands parse text from the Forth input buffer. (See A.1.2.2 for the distinction between “text” and [text].)

(([text<>] --)	Ignore the immediately following text, up to closing “)”.
\	([rest-of-line<cr>] --)	Ignore the immediately following text on this line.

(continued)

>in	(-- a-addr)	variable containing offset of next input buffer character.
parse	(delim "text<delim>" -- str len)	Parse text from the input buffer, delimited by <i>delim</i> .
parse-word	("<>text<>" -- str len)	Parse text from the input buffer, delimited by space.
source	(-- addr len)	Return the location and size of the input buffer.
word	(delim "<delims>text<delim>" -- pstr)	Parse text from the input buffer, delimited by <i>delim</i> .

7.3.4.2 Console input

These commands read characters from the console input device at execution time.

key?	(-- pressed?)	Return true if an input character is available.
key	(-- char)	Read a character from the console input device.
expect	(addr len --)	Get an edited input line, storing it at <i>addr</i> .
span	(-- a-addr)	variable containing number of characters received by expect .
accept	(addr len1 -- len2)	Get an edited input line, storing it at <i>addr</i> .

7.3.4.3 ASCII constants

These commands return the numeric values of particular characters.

bell	(-- 0x07)	ASCII code for the Bell character.
b1	(-- 0x20)	ASCII code for the Space (blank) character.
bs	(-- 0x08)	ASCII code for the Backspace character.
carret	(-- 0x0D)	ASCII code for the Carriage-return character.
linefeed	(-- 0x0A)	ASCII code for the Linefeed character.
ascii	([text<>] -- char)	Generate ASCII code for the immediately following character.
char	("text<>" -- char)	Generate ASCII code for the next character from input buffer.
[char]	(C: [text<>] --) (-- char)	Generate ASCII code for the next character from input buffer.
control	([text<>] -- char)	Generate control code for the immediately following character.

7.3.4.4 Console output

These commands display text on the console output device.

."	([text<">] --)	Display the immediately following text.
.(([text<)>] --)	Display the immediately following text up to delimiting "(").
emit	(char --)	Display the given ASCII character.
type	(text-str text-len --)	Display the <i>text-len</i> characters beginning at address <i>text-str</i> .

7.3.4.5 Output formatting

These commands control the positioning of displayed text on the console output device.

cr	(--)	Subsequent output goes to the next line.
space	(--)	Display a single space.
spaces	(cnt --)	Display <i>cnt</i> spaces.
#line	(-- a-addr)	variable holding the output line number.
#out	(-- a-addr)	variable holding the output column number.

7.3.4.6 Display pause

This command is a tool that a routine can use to provide user-controlled pagination of its multiline output.

exit? (-- done?) Return **true** when output should be terminated.

7.3.4.7 String literals

" ([text<"><>] -- text-str text-len) Gather the immediately following string or hex data.
s" ([text<">] -- text-str text-len) Gather the immediately following string.

7.3.4.8 String manipulation

count (pstr -- str len) Unpack a counted string to a text string.
pack (str len addr -- pstr) Pack a text string into a counted string.
lcc (char1 -- char2) Convert ASCII *char1* to lowercase.
upc (char1 -- char2) Convert ASCII *char1* to uppercase.
-trailing (str len1 -- str len2) Remove trailing spaces from string.

7.3.5 Numeric input and output

7.3.5.1 Numeric-base control

These commands control the numeric radix for input and output conversion, i.e., hex, decimal, etc.

base (-- a-addr) **variable** containing the numeric conversion radix.
decimal (--) Set numeric conversion radix to ten.
hex (--) Set numeric conversion radix to sixteen.
octal (--) Set numeric conversion radix to eight.

7.3.5.2 Numeric input

\$number (addr len -- true | n false) Convert a string to a number.
>number (d1 str1 len1 -- d2 str2 len2) Convert *string* to a number; add to *d1*.
digit (char base -- digit true | char false) Convert a character to a digit in the given *base*.
d# ([number<>] -- n) Interpret the following number as a decimal number (base ten).
h# ([number<>] -- n) Interpret the following number as a hexadecimal number (base sixteen).
o# ([number<>] -- n) Interpret the following number as an octal number (base eight).

7.3.5.3 Numeric output

. (nu --) Display number, with a trailing space.
s. (n --) Display a signed number, with a trailing space.
u. (u --) Display an unsigned number, with a trailing space.
.r (n size --) Display a signed number, right-justified.
u.r (u size --) Display an unsigned number, right-justified.
.d (n --) Display a signed number (and space) in decimal.
.h (n --) Display a signed number (and space) in hex.
.s (... -- ...) Display entire stack contents, unchanged.
? (a-addr --) Display the number at address *a-addr*.

7.3.5.4 Numeric output primitives

These commands give precise control of number output format.

(.)	(n -- str len)	Convert a number into a text string.
(u.)	(u -- str len)	Convert an unsigned number into a text string.
<#	(--)	Initialize pictured numeric output conversion.
#	(ud1 -- ud2)	Convert a digit in pictured numeric output conversion.
#s	(ud1 -- 0 0)	Convert remaining digits in pictured numeric output.
#>	(ud -- str len)	End pictured numeric output conversion.
hold	(char --)	Add <i>char</i> in pictured numeric output conversion.
sign	(n --)	If $n < 0$, insert “-” in pictured numeric output.
u#	(u1 -- u2)	Convert a digit in pictured numeric output conversion.
u#s	(u -- 0)	Convert remaining digits in pictured numeric output.
u#>	(u -- str len)	End pictured numeric output conversion.

7.3.6 Comparison operators

<	(n1 n2 -- less?)	Return true if <i>n1</i> is less than <i>n2</i> .
<=	(n1 n2 -- less-or-equal?)	Return true if <i>n1</i> is less than or equal to <i>n2</i> .
<>	(x1 x2 -- not-equal?)	Return true if <i>x1</i> is not equal to <i>x2</i> .
=	(x1 x2 -- equal?)	Return true if <i>x1</i> is equal to <i>x2</i> .
>	(n1 n2 -- greater?)	Return true if <i>n1</i> is greater than <i>n2</i> .
>=	(n1 n2 -- greater-or-equal?)	Return true if <i>n1</i> is greater than or equal to <i>n2</i> .
between	(n min max -- min<=n<=max?)	Return true if <i>n</i> is between <i>min</i> and <i>max</i> , inclusive.
within	(n min max -- min<=n<max?)	Return true if <i>n</i> is between <i>min</i> and <i>max</i> -1, inclusive.
0<	(n -- less-than-0?)	Return true if <i>n</i> is less than zero.
0<=	(n -- less-or-equal-to-0?)	Return true if <i>n</i> is less than or equal to zero.
0<>	(n -- not-equal-to-0?)	Return true if <i>n</i> is not equal to zero.
0=	(nu flag -- equal-to-0?)	Return true if <i>nu flag</i> is equal to zero.
0>	(n -- greater-than-0?)	Return true if <i>n</i> is greater than zero.
0>=	(n -- greater-or-equal-to-0?)	Return true if <i>n</i> is greater than or equal to zero.
u<	(u1 u2 -- unsigned-less?)	Return true if <i>u1</i> is less than <i>u2</i> , unsigned.
u<=	(u1 u2 -- unsigned-less-or-equal?)	Return true if <i>u1</i> less or equal to <i>u2</i> , unsigned.
u>	(u1 u2 -- unsigned-greater?)	Return true if <i>u1</i> is greater than <i>u2</i> , unsigned.
u>=	(u1 u2 -- unsigned-greater-or-equal?)	Return true if <i>u1</i> greater or equal to <i>u2</i> , unsigned.

7.3.7 Flag constants

false	(-- false)	Return the value false (zero).
true	(-- true)	Return the value true (negative one).

7.3.8 Control-flow commands

This subclause describes commands which alter the program flow. This includes branches, loops, error handling, and other execution-control commands.

These commands can be used either within definitions or interactively.

7.3.8.1 Conditional branches

These commands provide a basic “if-then-else” branching capability.

if	(do-next? --) (C: -- orig-sys)	When flag is true , execute following code.
else	(--) (C: orig-sys1 -- orig-sys2)	When if flag is false , execute following code.
then	(--) (C: orig-sys --)	Terminate an if construct.

7.3.8.2 Case statement

These commands provide an “n-way” branching capability.

case	(sel -- sel) (C: -- case-sys)	Begin a case (multiple selection) statement.
of	(sel of-val -- sel <nothing>) (C: case-sys1 -- case-sys2 of-sys)	Begin of clause; execute through endof if params match.
endof	(--) (C: case-sys1 of-sys -- case-sys2)	Mark end of clause; jump to end of case if match.
endcase	(sel <nothing> --) (C: case-sys --)	Mark end of a case statement.

7.3.8.3 Conditional loops

These commands loop until a specified condition is met.

begin	(--) (C: -- dest-sys)	Begin a conditional loop.
until	(done? --) (C: dest-sys --)	End a begin...until loop; exits loop if flag is true.
again	(--) (C: dest-sys --)	End an (infinite) begin...again loop.
while	(continue? --) (C: dest-sys -- orig-sys dest-sys)	Conditional test within begin...while...repeat loop.
repeat	(--) (C: orig-sys dest-sys --)	End a begin...while...repeat loop; jump to begin .

7.3.8.4 Counted loops

These commands loop for a specified number of iterations, maintaining an induction variable that may be read from within the loop.

do	(limit start --) (R: -- sys) (C: -- dodest)	Start a counted loop; beginning index value is <i>start</i> .
?do	(limit start --) (R: -- sys) (C: -- dodest)	Similar to do , but do not execute loop if <i>limit = start</i> .
loop	(--) (R: sys1 -- <nothing> sys2) (C: dodest --)	Add one to index; return to the previous do or exit the loop.
+loop	(delta --) (R: sys1 -- <nothing> sys2) (C: sys --)	Add <i>delta</i> to index; return to the previous do or exit the loop.

(continued)

i	(-- index) (R: sys -- sys)	Return current loop index value.
j	(-- index) (R: sys -- sys)	Return next outer loop index value.
leave	(--) (R: sys --)	Exit this do or ?do loop immediately.
?leave	(exit? --) (R: sys --)	If flag is true, exit this do or ?do loop immediately.
unloop	(--) (R: sys --)	Discard loop control parameters.

7.3.8.5 Other control flow commands

eval	(... str len -- ???)	Synonym for evaluate .
evaluate	(... str len -- ???)	Interpret Forth text from the given string.
execute	(... xt -- ???)	Execute the command whose execution token is <i>xt</i> .
exit	(--) (R: sys --)	Exit from the currently executing command.

7.3.8.6 Error handling

These commands can transfer control across multiple levels of procedure nesting.

quit	(--) (R: ... --)	Abort program execution.
abort	(... --) (R: ... --)	Abort program execution; clear stacks.
abort"	(... abort? -- ... <nothing>) (R: ... -- ... <nothing>)	If flag is true , display text and call abort .
	(C: [text<">] --)	
catch	(... xt -- ??? error-code ??? false)	Execute command indicated by <i>xt</i> ; return throw result.
throw	(... error-code -- ??? error-code ...)	Transfer back to catch routine if <i>error-code</i> is nonzero.

7.3.9 Forth dictionary

This section describes commands used to create and find Forth definitions and data. They are grouped into two broad categories: *defining words* and *dictionary commands*.

7.3.9.1 Defining words

Defining words are commands that create other Forth commands.

If a Forth command is created with the same name as an existing command, the new command will be created normally. A warning message “xyz isn't unique” may optionally be displayed. Previous uses of that command name will be unaffected. Subsequent uses of that command name will use the latest definition of that command name.

constant	(x “new-name<>” --) (E: -- x)	Create a named constant; <i>new-name</i> returns value <i>x</i> .
2constant	(x1 x2 “new-name<>” --) (E: -- x1 x2)	Create a named two-number constant.
value	(x “new-name<>” --) (E: -- x)	Create a named variable; change with to .
variable	(“new-name<>” --) (E: -- a-addr)	Create a named variable; <i>new-name</i> returns address <i>a-addr</i> .
buffer:	(len “new-name<>” --) (E: -- a-addr)	Creates a named data buffer; <i>new-name</i> returns address.

(continued)

:	(“new-name<>” -- colon-sys) (E: ... -- ???)	Begin creation of a colon definition.
;	(colon-sys --)	End creation of a colon definition.
alias	(“new-name<>old-name<>” --) (E: ... -- ???)	Create a new command equivalent to an existing command.
defer	(“new-name<>” --) (E: ... -- ???)	Create a command with alterable behavior; alter with to .
struct	(-- 0)	Start a struct . . . field definition.
field	(offset size “new-name<>” -- offset+size) (E: addr -- addr+offset)	Create new field offset specifier, named <i>new-name</i> .
create	(“new-name<>” --) (E: ... -- ???)	Create a new command; behavior set by further commands.
does>	(C: colon-sys1 -- colon-sys2) (--) (R: sys1 --) (... -- ... a-addr) (R: -- sys2) (E: ... -- ???)	Specify run-time behavior of a created word.
\$create	(name-str name-len --)	Call create ; new name specified by <i>name string</i> .
forget	(“old-name<>” --)	Remove command <i>old-name</i> and all subsequent definitions.

7.3.9.2 Dictionary commands

Dictionary commands control various aspects of the Forth dictionary.

7.3.9.2.1 Data space allocation

These commands allocate and initialize memory at the top of the data space.

here	(-- addr)	Return current dictionary pointer.
allot	(len --)	Allocate <i>len</i> bytes in the dictionary.
align	(--)	Allocate dictionary bytes to leave top of dictionary <i>var</i> -aligned.
c,	(byte --)	Compile a byte into the dictionary.
w,	(w --)	Compile a doublet <i>w</i> into the dictionary (doublet-aligned).
l,	(quad --)	Compile a quadlet into the dictionary (doublet-aligned).
,	(x --)	Append <i>x</i> to data space.

7.3.9.2.2 Immediate words

Most Forth commands, when encountered within a *colon definition*, are compiled for later use. When the colon definition is later executed, the Forth commands compiled within are then executed. *Immediate words*, in contrast, are executed immediately, even when encountered within a colon definition.

immediate	(--)	Declare the previous definition as “immediate”.
state	(-- a-addr)	variable containing true if in compile state.

(continued)

[(--)	Enter interpret state.
]	(--)	Enter compile state.
compile	(--)	Compile following command at run time.
[compile]	([old-name<>] --)	Compile the immediately following command.
literal	(-- x1)	Compile a number, later leave it on the stack.
	(C: x1 --)	
postpone	(... -- ???)	Delay execution of the immediately following command.
	(C: [old-name<>] --)	
compile,	(xt --)	Compile the behavior of the word given by <i>xt</i> .

7.3.9.2.3 Dictionary search

These commands are all variations of the same idea: find a command in the dictionary (given its name) and return the execution token of the word and/or other information. The portions of the dictionary that are visible at a particular time are controlled by the search order (see 3.2.2.4 and 7.5.3.1 for additional commands).

[']	([old-name<>] -- xt)	Return execution token <i>xt</i> of a command.'
'	(old-name<> -- xt)	Return execution token <i>xt</i> of a command, parsed later.'
find	(pstr -- xt n pstr false)	Find command, return -1 (found), +1 (immediate), or 0 (not found).

7.3.9.2.4 Miscellaneous dictionary

This subclause contains other dictionary-related commands.

to	(param [old-name<>] --)	Change value or defer or machine register contents.
behavior	(defer-xt -- contents-xt)	Retrieve execution behavior of a defer word.
>body	(xt -- a-addr)	Convert execution token to data field address.
body>	(a-addr -- xt)	Convert data field address to execution token.
noop	(--)	Do nothing.
recursive	(--)	Make current definition visible, for recursive call.
recurse	(... -- ???)	Compile recursive call to the command being compiled.
forth	(--)	Make Forth the context vocabulary.
environment?	(str len -- false value true)	Return system information based on input keyword.

7.3.9.3 Assembler

The assembler permits machine-level code definitions to be created and executed by the user at the interactive *command interpreter* level. A machine-code definition, once created, can be executed or used in subsequent definitions, just like any other command. The assembler mnemonics depend on the processor instruction set. The commands to invoke and exit the assembler are the same for all processors.

The assembler mnemonics are processor- and implementation-dependent and are not specified in this document. Creation of a machine-code definition also depends on specific knowledge of the details of the particular Forth implementation. Register usage, etc., by the Forth implementation is not specified in this document.

code	("new-name<>" -- code-sys)	Begin creation of machine-code command called <i>new-name</i> .
	(E: ... -- ???)	
label	("new-name<>" -- code-sys)	Begin machine-code sequence; leave <i>addr</i> on stack.
	(E: -- addr)	
c;	(code-sys --)	End creation of machine-code command; will return to caller.
end-code	(code-sys --)	End creation of machine-code sequence.

7.4 Administration command group

Commands in this subclause relate to booting and system configuration. These commands generally work from the ok prompt, but are not designed for use within Forth programs. An Open Firmware implementation that includes the Administration *command group* shall implement the `/aliases` and `/options` standard system nodes.

7.4.1 Help

The help function displays messages describing names and usages for various Open Firmware commands and *configuration variables*. This command may be invoked in three basic ways: general, by name, and by category.

Examples:

```
ok help<cr>
Enter "help command-name" or "help category-name" for more help
(Use ONLY the first word of a category description)
Examples: help select -or- help line
      Main categories are:
      File download and boot
      Resume execution
      Diag (diagnostic routines)
```

etc.

```
ok help +bp<cr>
+bp ( addr -- ) add a breakpoint at the given address
```

The specific set of commands described by **help** is system-dependent. That set should include at least the most commonly used commands, and may include other commands as space permits.

help (“{name}<cr>” --) Provide information for category or specific command.

7.4.2 System start-up

Following is a quick summary of the Open Firmware start-up sequence after power-on or reset. All of the commands mentioned here are described in more detail later in this clause and in annex A.

The normal Open Firmware start-up sequence is as follows:

- a) Power-on self-test (POST)
- b) System initialization
- c) Evaluate the *script* (if **use-nvramrc?** is true)
- d) **probe-all** (evaluate FCode)
- e) **install-console**
- f) **banner**
- g) Secondary diagnostics
- h) Default boot (if **auto-boot?** is true)
- i) Invoke the *command interpreter* (if the preceding step returns)

It is sometimes desirable to modify the sequence “**probe-all install-console banner**”. For example, commands that modify the characteristics of *plug-in devices* might need to be executed after the plug-in devices have been probed but before the console device has been selected. Such commands need to be executed between **probe-all** and **install-console**. Commands that display output on the console need to be placed after **install-console** or **banner**. This is accomplished by creating a custom script. To accommodate such customized script sequences, the sequence “**probe-all install-console banner**” is not executed if either **banner** or **suppress-banner** is executed from the script. This allows the use of **probe-all**,

install-console and **banner** inside the script, possibly interspersed with other commands, without having those commands re-executed after the script finishes.

7.4.3 Booting

Booting is the process of *loading* and executing a *client program*, usually the operating system. Booting usually happens automatically, requiring no user intervention. From the *command interpreter*, the user can also explicitly initiate booting.

7.4.3.1 Overview

The booting process proceeds as follows. A *device* is selected for booting. A program is read from that device into memory, using a protocol that depends on the type of device, and is executed. Further behavior of that program may be controlled by an argument string that is made available to the program by the Open Firmware. Often, this program is a *secondary boot program* whose purpose is to *load* yet another program. The secondary boot program may be capable of using additional protocols other than the protocol that Open Firmware used to load the first program. For example, Open Firmware may use the Trivial File Transfer Protocol (TFTP) to load the “/boot” program, which then might use the Network File System (NFS) protocol to load the operating system from a file named “/vmunix”.

Typical secondary boot programs accept arguments of the following form:

filename -flags ...

where *filename* is the name of a file containing the operating system and *-flags* is a list of options controlling the details of the start-up phase of either the secondary boot program, the operating system or both. However, it is important to recognize that from Open Firmware’s point of view the boot arguments are an opaque string that is passed uninterpreted to the boot program.

7.4.3.2 Device and argument selection

The automatic booting process is controlled by *configuration variables* as follows:

- If **auto-boot?** is **false** (its default value is **true**), automatic booting does not occur and the interactive *command interpreter* is invoked.
- Otherwise, the command specified by the **boot-command** configuration variable is executed. The default value of **boot-command** is the command **boot** with no command-line arguments. In that case, if **diagnostic-mode?** returns **false**, the default boot device is given by **boot-device** and the default boot arguments are given by **boot-file**; if **diagnostic-mode?** returns **true**, the default boot device is given by **diag-device** and the default boot arguments are given by **diag-file**.

The user can explicitly execute the **boot** command from the command interpreter, in which case the user can either supply explicit command-line arguments or omit them so that the default arguments will be used.

7.4.3.3 Boot protocol

The protocol used to *load* the first *client program* depends on the type of device. For example, the first-stage disk boot might read a fixed number of blocks from the beginning of the disk. The first-stage tape boot might read a particular tape file.

7.4.3.4 Argument passing

The *device path* of the boot device is given by the value of the “**bootpath**” *property* in the /**chosen** node. This lets *client programs* determine the device from which they were booted.

The boot arguments are given by the “**bootargs**” property in the /**chosen** node.

7.4.3.5 User commands for booting

The syntax for the **boot** command is ambiguous because a *device* alias cannot be syntactically distinguished from the arguments. The ambiguity is resolved as follows:

- If the word following **boot** on the command line begins with a “/”, the word is a *device path* and, thus, a *device specifier*.
- Otherwise, if there is a device alias matching that word, the word is a device specifier.
- If that word is neither a device path nor a known alias, the default boot device is used and the word is included in arguments.

Assuming that **disk0** has been predefined as a device alias for some device path, the following are examples of valid boot commands:

```
ok boot<cr>                \ default boot (values specified in configuration variables)
ok boot disk0<cr>         \ boot from disk0; pass boot program default arguments
ok boot disk0 vmunix -asw<cr> \ boot from disk0; pass boot program “vmunix -asw”
ok boot vmunix -asw<cr> \ boot from default dev; pass boot program “vmunix -asw”
```

If the **boot** command is executed after a *client program* has already been run, the **boot** command may reset the machine as with **reset-all**, thus reinitializing the hardware state and Open Firmware’s data structures before proceeding with the booting process. This is necessary because the client program may have modified the machine’s state in ways that the Open Firmware cannot “undo” without a “hard reset” and the machine’s current state could prevent a boot from succeeding.

boot	(“{param-text}<cr>” --)	Load and execute a program specified by <i>param-text</i> .
diagnostic-mode?	(-- diag?)	If true , boot from diag sources; perform longer self-tests.
diag-switch?	(-- diag?)	If true , diagnostic-mode? returns true .
boot-device	(-- dev-str dev-len)	Default boot device-name (diagnostic-mode? false).
boot-file	(-- arg-str arg-len)	Default boot arguments (diagnostic-mode? false).
diag-device	(-- dev-str dev-len)	Default boot device-name (diagnostic-mode? true).
diag-file	(-- arg-str arg-len)	Default boot arguments (diagnostic-mode? true).
auto-boot?	(-- auto?)	If true , automatically execute boot-command after power-on or reset-all .
boot-command	(-- addr len)	Command executed if auto-boot? is true .

7.4.4 Nonvolatile memory

System nonvolatile memory is used to preserve system start-up and booting information. This information may be saved in EEPROM, battery-backed RAM, or some other device. The key features are that it can be accessed by the Open Firmware during system start-up, it can be changed by the user as desired, and its contents persist when power is off.

System nonvolatile memory is divided into two sections, one for the storage of *configuration variables*, and the other for the *script*.

7.4.4.1 Configuration variables

Configuration variables are an optional feature of the Administrative *command group*.

A number of Open Firmware operating characteristics are controlled by configuration variables stored in nonvolatile memory. The value of a configuration variable can be a number, a string, a true/false flag, a selection

from a set of choices, or one of several other data types, depending on the particular variable. Most configuration variables have both a current value and a default value, with the default value stored in ROM. Open Firmware implementations can maintain a checksum of the nonvolatile memory used for configuration variable storage. If that memory becomes corrupted, the Open Firmware implementation can restore some of the configuration variables to their default values, leaving untouched those configuration variables without default values.

The nonvolatile memory locations where particular parameter values are stored can change from machine to machine and from revision to revision. Thus, they cannot be accessed at fixed locations, but instead must be accessed by name. Users can access them by name using **printenv** and **setenv**. *Client programs* can access them by name via *client interface* operations on the **/options** device node.

The configuration variable data types are given in the following list. Each data type is described in terms of its “Fundamental Data Type,” which is the kind of information that it represents, its “Stack Representation,” which is the way that information is presented on the Forth stack, its “Input Text Representation,” which is the human-writable form as used with **setenv**, **\$setenv**, and **setprop**, and its “Output Text Representation,” which is its human-readable form as used with **printenv** and **getprop**. The internal storage format is not specified.

integer	Fundamental Data Type:	number
	Stack Representation:	<i>n</i>
	Input Text Representation:	decimal number or hexadecimal number beginning with “0x”
	Output Text Representation:	decimal number
bytes[<i>n</i>]	Fundamental Data Type:	a sequence of <i>n</i> bytes
	Stack Representation:	<i>addr len</i>
	Input Text Representation:	a sequence of <i>n</i> bytes
	Output Text Representation:	a sequence of <i>n</i> bytes
string[<i>n</i>]	Fundamental Data Type:	text string capable of storing at least <i>n</i> characters
	Stack Representation:	<i>addr len</i>
	Input Text Representation:	text
	Output Text Representation:	text
boolean	Fundamental Data Type:	true/false flag
	Stack Representation:	<i>flag</i>
	Input Text Representation:	one of the strings: true , false , TRUE , or FALSE
	Output Text Representation:	one of the strings: true or false
security-mode	Fundamental Data Type:	enumerated type
	Stack Representation:	none
	Input Text Representation:	one of the strings: none , command , or full
	Output Text Representation:	one of the strings: none , command , or full

Configuration variables are described in the following subclauses along with the features that require them. In implementations that do not support configuration variables, features that depend on particular configuration variables may use fixed default values for those variables.

The following commands inspect and modify configuration variables:

setenv	(“nv-param<>new-value<eol>” --)	Set the configuration variable <i>nv-param</i> to the indicated value.
\$setenv	(data-addr data-len name-str name-len --)	Set the configuration variable <i>name string</i> to new value.
printenv	(“{param-name}<eol>” --)	Display current, default value of <i>configuration variable</i> (or all).
set-default	(“param-name<eol>” --)	Set configuration variable to default value.
set-defaults	(--)	Reset most configuration variables to their default values.
nodefault-bytes	(maxlen “new-name<>” --) (E: -- addr len)	Create custom configuration variable of size <i>maxlen</i> .

A summary list of all Open Firmware defined configuration variables is given in annex G. Note that implementations are free to define additional configuration variables as needed.

7.4.4.2 The script

The *script* is a section of nonvolatile memory that is reserved for storage of user-defined commands to be executed during the start-up sequence. The script may be used for various purposes, including installation-specific *device* configuration commands and *device aliases*, patches to correct Open Firmware bugs, or user-installed extensions. Commands in the script are stored in text form, just as the user would type them at the console.

The script is evaluated only if **use-nvramrc?** is **true**.

The commands **nvedit** and **nvstore** are used to edit the script. The intraline editing keystrokes are used within the script editor, with the following exceptions:

Keystroke	Description
^c	Exits the script editor, returning to the Open Firmware <i>command interpreter</i> . The temporary buffer is preserved but is not written back to the script. (Use nvstore afterwards to write it back.)
<cr>	Inserts a newline at the cursor position and advances to the next line.
^o	Inserts a newline at the cursor position and stays on the current line.
^k	If at the end of a line, joins the next line to the current line (i.e., deletes the newline).
^n	Moves to the next line of the script editing buffer.
^p	Moves to the previous line of the script editing buffer.
^l	Displays the entire contents of the editing buffer.

nvramrc	(-- data-addr data-len)	Contents of the script.
use-nvramrc?	(-- enabled?)	If true , the script is evaluated at system start-up.
nvedit	(--)	Enter script editor (exit with ^c).
nvstore	(--)	Copy contents of nvedit temporary buffer into the script.
nvquit	(--)	Discard contents of nvedit temporary buffer.
nvrecover	(--)	Attempt to recover lost script contents.
nvrunc	(--)	Execute the contents of the nvedit temporary buffer.

7.4.5 I/O control

The console is the pair of input and output *devices* that Open Firmware uses for communicating with the user (for example, a keyboard and a bit-mapped display). The console devices are selected after probing, allowing the use of *plug-in devices* for the console.

After probing, the drivers for devices named by **input-device** and **output-device** are *opened*, and console input and output is directed to those devices. The *handles* of the open input and output drivers are saved as the values of the “**stdin**” and “**stdout**” properties in the **/chosen** node, so that *client programs* may interact with the user through the console.

If either of the specified devices cannot be opened, system-dependent default devices may be used instead of the specified devices.

The console activation process is performed by the **install-console** command.

Normally, **install-console** is automatically executed during the Open Firmware start-up sequence just after probing, but it may be executed explicitly from the *script* if desired.

Before selecting the output device, **install-console** attempts to create a *device alias* named **screen**. If a device alias named **screen** does not exist, and if a device of type **display** was found during probing, **install-console** creates an alias **screen** representing the *device path* of the first device of type **display** that was found during probing. This feature provides a degree of autoconfiguration. Typically, a system will have only one display device. If the value of **output-device** is set to **screen**, the system will automatically locate that device and use it as the console output device.

Before the console is activated, any output produced by Open Firmware must be directed to a diagnostic output device. Whether a diagnostic output device exists, how it is chosen, and how it is accessed are all system-dependent.

The input and output devices may also be modified with the **input**, **output**, and **io** commands. These modifications take place immediately. These commands do not affect **input-device** and **output-device** and hence do not affect the choice of console after a subsequent **reset-all** or power cycle (unless present in the *script*). The action taken on failure to open an input or output device is system-dependent.

input-device	(-- dev-str dev-len)	Default console input device.
output-device	(-- dev-str dev-len)	Default console output device.
stdin	(-- a-addr)	variable containing the ihandle of the console input device.
stdout	(-- a-addr)	variable containing the ihandle of the console output device.
screen-#columns	(-- n)	Maximum number of columns on console output device.
screen-#rows	(-- n)	Maximum number of rows on console output device.
install-console	(--)	Select and activate console input and output devices.
input	(dev-str dev-len --)	Select the indicated device for console input.
output	(dev-str dev-len --)	Select the indicated device for console output.
io	(dev-str dev-len --)	Select the indicated device for console input and output.

7.4.6 Security

The security feature allows the system to be configured so that a password is required to access most commands from the interactive *command interpreter's* ok prompt. Several levels of security (including “none”) are specified by the setting of **security-mode**. The **password** command is used to set the security password.

password	(--)	Prompt user to set security password.
security-mode	(-- n)	Contains level of security access protection.
security-password	(-- password-str password-len)	Contains security password text string.
security-#badlogins	(-- n)	Contains total count of invalid security access attempts.

7.4.7 Reset

This command is used to initiate a system power-on reset, thus re-initializing the hardware state and Open Firmware's data structures as if a power-on reset had occurred.

reset-all	(--)	Reset the machine as if a power-on reset had occurred.
------------------	--------	--

7.4.8 Self-test

Any *device node* (either for a *built-in device* or a *plug-in device*) may define its own **selftest** diagnostic routine as one of that device's *methods*. Many devices have two levels of diagnostics. The simplest level is a very brief “sanity check” that could be automatically executed during initial probing or whenever that device is *opened* for use by Open Firmware. The more extensive **selftest** routine is executed only upon user command. Execution of a device's **selftest** routine may be automated by storing the user command in the *script*.

test	(“device-specifier<cr>” --)	Invoke the selftest routine for the specified device.
test-all	(“{device-specifier}<cr>” --)	Invoke selftest routines at and below specified node.
selftest-#megs	(-- n)	Number of megabytes of memory to test.
diagnostic-mode?	(-- diag?)	If true , boot from diag sources, perform longer self-tests.
diag-switch?	(-- diag?)	If true , diagnostic-mode? returns true .

7.4.9 Client program callback

A *client program* may make available a set of application callback commands that the user may execute from the Open Firmware *command interpreter*. The client program declares the addresss of its callback procedure with **set-callback**. Application callback commands can be executed with the following Open Firmware commands:

callback	(“service-name<>” “arguments<cr>” --)	Execute specified client program callback routine.
\$callback	(argn ... arg1 nargs addr len -- retn ... ret2 Nreturns-1)	Execute specified client program callback routine.

sync (--) Flush system file buffers, after a program interrupt.

7.4.10 Banner

These commands control the appearance of the *firmware* banner:

banner	(--)	Display the system power-on banner.
suppress-banner	(--)	Abbreviate system start-up sequence after the <i>script</i> .
oem-logo?	(-- custom?)	If true , banner displays custom logo in oem-logo .
oem-logo	(-- logo-addr logo-len)	Contains custom logo for banner , enabled by oem-logo? .
oem-banner?	(-- custom?)	If true , banner displays custom message in oem-banner .
oem-banner	(-- text-str text-len)	Contains custom banner text, enabled by oem-banner? .

7.4.11 Device tree

The **show-devs** command is a useful tool to see the full *device path* names of all or part of the *device tree*. The following is an example of its output:

```
ok show-devs<cr>
/audio@1,f720100
/sbus@1,f8000000
/zs@1,f0000000
/packages@0,0
/sbus@1,f8000000/SUNW,1e@0,c00000
/sbus@1,f8000000/SUNW,esp@0,80000
/sbus@1,f8000000/SUNW,esp@0,800000/sd@1,0
/sbus@1,f8000000/SUNW,esp@0,800000/st@5,0
/sbus@1,f8000000/SUNW,cgthree@3,0
```

show-devs ("{device-specifier}<cr>" --) Show all devices beneath the indicated node.

7.4.11.1 Device alias

devalias	("{alias-name}<>{device-specifier}<cr>" --)	Create device alias or display current alias(es).
nvalias	("alias-name<>device-specifier<cr>" --)	Create nonvolatile device alias; edit the <i>script</i> .
\$nvalias	(name-str name-len dev-str dev-len --)	Create nonvolatile device alias; edit the <i>script</i> .
nvunalias	("alias-name<>" --)	Delete nonvolatile device alias; edit the <i>script</i> .
\$nvunalias	(name-str name-len --)	Delete nonvolatile device alias; edit the <i>script</i> .
"screen"		Standard string for alias created by install-console .

7.4.11.2 Device tree browsing

Device tree browsing allows the user to examine and modify individual device tree nodes. The device tree browsing commands are similar to the UNIX commands for changing the working directory within the UNIX directory tree. The *active package* is the *device node* that the user may examine and modify with subsequent node examination commands. Selecting a device node makes it the active package.

When a node is the active package, user-created Forth commands are added to the list of *methods* for that *device*, new *properties* may be added to the list of properties for that device, dictionary search commands will operate on the node's list of methods (followed by system *Forth words*), and that node's methods can be executed as Forth words by typing their names.

Examples:

```
ok dev /zs@1,f0000000<cr>
ok .properties<cr>
name                zs
reg                 00 00 00 01 f0 00 00 00 00 00 00 08
intr                00 00 00 0c 00 00 00 00
device_type         serial
keyboard
port-a-ignore-cd
port-b-ignore-cd
```

dev	("device-specifier<cr>" --)	Make the specified device node the active package.
find-device	(dev-str dev-len --)	Make the device node <i>dev-string</i> the active package.
device-end	(--)	Unselect the active package, leaving none selected.
pwd	(--)	Display the device path that names the active package.
ls	(--)	Display the names of the active package's children.
.properties	(--)	Display names and values of properties of the active package.

7.4.11.3 Device probing

The **probe-all** *command* probes all available *plug-in devices* and adds to the *device tree* as appropriate. This command is normally invoked automatically during system start-up, but can be disabled by executing either **banner** or **suppress-banner** from the *script*.

probe-all	(--)	Probe for all available plug-in devices.
------------------	--------	--

7.5 Firmware Debugging command group

This subclause describes *commands* that assist in the development of a Forth or *FCode program*. Most are interactive commands only and are not generally to be used within a Forth program.

7.5.1 Automatic stack display

This tool makes it easier for the user to see the stack effect of executed *commands*, by automatically displaying the entire stack just before each *ok* prompt. It is useful when developing Forth programs, as inadvertent stack errors will be more quickly spotted.

showstack	(--)	Turn on automatic stack display.
noshowstack	(--)	Turn off automatic stack display.

7.5.2 Serial download

This tool enables Forth source code to be downloaded and executed over a serial port.

d1	(--)	Download and execute Forth text; end with ^d.
-----------	--------	---

7.5.3 Dictionary

This subclause describes various productivity tools that involve the Forth dictionary. Most are useful for debugging Forth programs by providing tools for inspecting and altering the dictionary.

7.5.3.1 Dictionary search

Based on various parameters, these *commands* search the dictionary.

.calls	(xt --)	Display all commands that use the execution token <i>xt</i> .
\$sift	(text-addr text-len --)	Display all command names containing <i>text-string</i> .
sifting	(“text<>” --)	Display all command names containing <i>text</i> .
words	(--)	Display the names of methods or commands.

7.5.3.2 Decompiler

The Forth *decompiler* allows the user to “see inside” any given routine in order to see how it is built. The decompiler displays the names of the component subwords in the order used to create the routine in question.

If the word being decompiled is an assembly-code definition, the *disassembler* will be invoked automatically (assuming the disassembler is present).

Unfortunately, many of the system routines might not decompile very well since the actual names of the component routines might have been previously discarded. For these cases, the address of the component routine will be shown instead of the name.

see	(“old-name<>” --)	Decompile the Forth command <i>old-name</i> .
(see)	(xt --)	Decompile the Forth command whose execution token is <i>xt</i> .

7.5.3.3 Patch

These *commands* are used to change the definition of a command. Although the more typical method of changing the definition of a command is to edit some Forth source text, **forget** the old definition, and recompile the edited source, sometimes a quick patch is used to test a change first.

patch	(“new-name<>old-name<>word-to-patch<>” --)	Change contents of <i>word-to-patch</i> .
(patch)	(new-n1 num1? old-n2 num2? xt --)	Change contents of command indicated by <i>xt</i> .

7.5.3.4 Forth source-level debugger

The Forth source-level debugger allows single-stepping and tracing of Forth programs; each “step” represents the execution of one *Forth word*.

In trace mode, the word marked for debugging is executed; the process continues with the next word called by the debugged word. In step mode (the default), the user controls the progress of the execution. Before the execution of each word called by the debugged word, the user is prompted for one of the following keystrokes:

Keystroke	Description
<space>	Executes the word just displayed and proceeds to the next word.
d	Goes down a level; i.e., marks for debugging the word whose name was just displayed and executes it.
u	Goes up a level; i.e., unmarks the word being debugged, marks its caller for debugging, and finishes executing the word that was previously being debugged.
c	Continues; i.e., switches from stepping to tracing, thus tracing the remainder of the execution of the word being debugged.
f	Starts a subordinate Forth interpreter. Forth commands may be executed normally. When the resume command is encountered, the interpreter exits and control-returns to the debugger at the place where the f keystroke was executed.
q	Quits; i.e., aborts the execution of the word being debugged and all its callers, returning to the <i>command interpreter</i> .

debug	(“old-name<>” --)	Mark the command <i>old-name</i> for debugging.
(debug	(xt --)	Mark the command indicated by <i>xt</i> for debugging.
stepping	(--)	Set step mode (default) for Forth source-level debugging.
tracing	(--)	Set trace mode for Forth source-level debugging.
debug-off	(--)	Turn off the Forth source-level debugger.
resume	(--)	Exit from a subordinate interpreter back to the stepper.

7.6 Client Program Debugging command group

This subclause describes various commands used to download and test machine-language *client programs*.

7.6.1 Registers display

Whenever a machine-language program execution is suspended, the complete state of the machine (particularly, all machine registers) is saved in the *saved-program-state* memory area. This serves two purposes: 1) the saved program state can be restored, allowing execution of the interrupted program to be resumed, and 2) the saved register values are available from the interpreter for inspection and/or modification for debugging purposes.

CPU registers may be examined and modified. Registers may be written or read individually or read as a group. For registers other than floating-point registers, the register access commands operate on memory copies of the register values instead of directly on the processor registers themselves. The contents of the processor registers are copied to the saved-program-state memory area when a running program transfers control to Open Firmware, typically from a user abort, a program breakpoint, or a severe system crash (resulting in a watchdog reset). When Open Firmware resumes execution of the suspended program (as with the **go** command), the processor registers are reloaded from the saved-program-state area and any modifications that the user has made prior to resumption of the program will then take effect.

Since normal operation of Open Firmware does not use or affect the values of floating-point registers, their values may be accessed “in-place,” rather than from memory copies, at the discretion of the implementor.

The names of the registers depend upon the CPU type. For a particular CPU type, the register names should be chosen to be obvious to a person familiar with that processor’s assembly language. However, the register names must not conflict with other Open Firmware word names. One way of preventing such name conflicts is to use register names beginning with “%”, which is not used within any other Open Firmware word names.

Register names are executable *Forth words*. Execution of a register name pushes the value contained in that register (or its memory copy) onto the stack. The value may be changed with the **to** command, as in the following:

```
( ff4 ) to %reg-name
```

See the processor-specific Open Firmware documents for examples of machine-specific register display commands.

ctrace	(--)	Display saved call stack (subroutines calls and arguments).
.registers	(--)	Display saved register values.
.fregisters	(--)	Display floating-point registers (if present).
to	(param [old-name<>] --)	Change value or defer or machine register contents.

7.6.2 Program download and execute

These functions allow a user to download a file containing assembly code, object code, Forth source code, or anything else. A typical use for these functions is to download some extended diagnostic test routines.

The syntax and behavior for **load** are similar to **boot** except that the program is *loaded* only and is not executed. Thus, the behavior of **boot** is almost equivalent to the following:

```
load device-specifier arguments<cr>
go
```

The difference is that **boot** will reset the machine before loading if a *client program* has been executed since the last reset, but **load** will not.

load	("{params}<cr>" --)	Load a program specified by <i>params</i> .
go	(--)	Execute or resume execution of a program in memory.
state-valid	(-- a-addr)	variable, true if <i>saved-program-state</i> is valid.
init-program	(--)	Initialize <i>saved-program-state</i> .

7.6.3 Abort and resume

The user may manually invoke the *command interpreter* by typing an abort sequence. The abort sequence is implementation-dependent. Typically, the abort sequence may be generated by a line break if the console is connected via an asynchronous serial line or by a specific key combination if the console is connected via a workstation keyboard/monitor, or by a hardware event such as a momentary switch. Virtual consoles connected via network *devices* may define other protocols to implement the abort sequence.

When a program is suspended by invoking the command interpreter, the contents of the processor registers are saved in the *saved-program-state* memory area. Execution of the suspended program may be resumed by using the **go** command.

Keystroke	Description
<abort>	Suspend the currently executing program, saving processor state in the <i>saved-program-state</i> memory area, and enter the Open Firmware command interpreter.

go	(--)	Execute or resume execution of a program in memory.
-----------	--------	---

7.6.4 Disassembler

The *disassembler* takes a user-supplied memory address and produces an assembly-language interpretation of the contents of memory in a conventional format.

dis	(addr --)	Begin disassembling at the given address.
+dis	(--)	Continue disassembling where dis or +dis last stopped.

7.6.5 Breakpoints

This feature allows the user to set breakpoints in a *client program* and then use Open Firmware commands when one of the breakpoints is reached. After inspecting registers, memory, etc., the user can continue execution of the client program or choose from a variety of single-stepping options. The user may also cause any sequence of Open Firmware commands to be executed automatically when a breakpoint is reached, including automatic continuation.

To set breakpoints in a program, first **load** the program into memory or **boot** it. Re-enter the Open Firmware *command interpreter*, if necessary, with the user abort sequence. Set the desired breakpoints and continue or restart the program.

All of these commands are normally executed directly from the command interpreter, but may also be used within *colon definitions*. If a command that causes client program execution (**go**, **step**, **hop**, etc.) is executed within a colon definition, the remainder of the colon definition will not be executed.

One possible use of breakpoint commands within colon definitions is for complex breakpoint set-up sequences. Another possible use is to set-up conditional execution, by putting **go** or **step** commands inside an **if** statement within a command, and then *loading* that command into the **.breakpoint** or **.step** command.

.bp	(--)	Displays a list of all locations that are breakpoints.
+bp	(addr --)	Adds the given address to the breakpoint list.
-bp	(addr --)	Removes the breakpoint at the given address.
--bp	(--)	Removes most recently set breakpoint (repeat if desired).
bpoff	(--)	Removes all breakpoints from the breakpoint list.
step	(--)	Executes a single machine-code instruction.
steps	(n --)	Executes step <i>n</i> times.
hop	(--)	Executes single instruction, or entire subroutine call.
hops	(n --)	Executes hop <i>n</i> times.
go	(--)	Executes or resume execution of a program in memory.
gos	(n --)	Executes go <i>n</i> times.
till	(addr --)	Executes until the given address. Equivalent to: +bp go .
return	(--)	Executes until return from this subroutine.
.breakpoint	(--)	Action performed when breakpoint occurs.
.step	(--)	Action performed when a single step occurs.
.instruction	(--)	Displays next pending address and instruction.

7.6.6 Symbolic debugging

The symbolic debugger permits memory addresses to be displayed symbolically, i.e., with a program label and offset instead of simply a raw address. The program labels are taken from the string table entries of an appropriate executable file when the program is loaded by the *secondary boot program*. This secondary boot program can extract the symbol table from the executable file and use the *client interface* to initialize the Open Firmware symbol table.

After symbols are loaded, the *disassembler* displays symbolic addresses in addition to numeric addresses, and the Forth interpreter recognizes symbol names as though they were *Forth words*. Executing a symbol name pushes the symbol's value on the stack (where it may be displayed with the Forth word “.”). The Forth interpreter searches for symbol names after attempting to recognize numbers; if there is a symbol name that is spelled the same as a Forth command or a number, the Forth interpreter will recognize the command or number instead of the symbol name. To alleviate this possible problem, the `sym` command is provided. Symbol name searches are case-sensitive, in contrast to searches for Forth commands.

.adr	(addr --)	Display symbolic form for the given address.
sym	(“name<>” -- n)	Return value of client program symbol “name”.
sym>value	(addr len -- addr len false n true)	Defer word to resolve symbol names.
value>sym	(n1 -- n1 false n2 addr len true)	Defer word to resolve symbol values.

7.7 FCode Debugging command group

The *user interface* versions of these *FCode functions* allow the user to debug *FCode programs* by providing named commands corresponding to FCode functions.

A system that implements the FCode Debugging *command group* shall implement commands corresponding to all of the FCode functions listed in 5.3.2 through 5.3.7, with the same names and semantics as those FCode functions, plus the commands given in the following list. Furthermore, a system that implements the FCode Debugging command group shall implement the Forth command group.

external	(--)	Newly created functions will be visible.
headerless	(--)	Newly created functions will be invisible.
headers	(--)	Newly created functions will be optionally visible.
fcode-debug?	(-- names?)	If true , save names for FCodes with headers .
open-dev	(dev-str dev-len -- ihandle 0)	Open device (and parents) named by given <i>device specifier</i> .
begin-package	(arg-str arg-len reg-str reg-len dev-str dev-len --)	Set up device tree before creating new node.
close-dev	(ihandle --)	Close device and all of its parents.
end-package	(--)	Close the device tree entry set up with begin-package .
execute-device-method	(... dev-str dev-len method-str method-len -- ???)	Execute the named method in the package named <i>dev-string</i> .
apply	(... "method-name<>device-specifier<>" -- ???)	Execute named method in the specified package.
decode-bytes	(prop-addr1 prop-len1 data-len -- prop-addr2 prop-len2 data-addr data-len)	Decode a byte array from a <i>prop-encoded-array</i> .

Annex A Open Firmware glossary

(normative)

A.1 Description

This annex describes the complete set of *Forth words*, *FCode functions*, *methods*, *property names*, and *configuration variables* that are defined by this standard. This annex defines the behavior of individual words, but it does not specify which of these words are required in order to claim conformance with one or more of the standard interfaces defined by this standard. That information is specified in other clauses.

A.1.1 Collating sequence

The words in this glossary are collated according to the following rules:

- if the word contains alpha characters ([a–z]) plus any numeric or punctuation characters, all non-alpha characters are ignored (removed) and the “alpha-only” word is ordered alphabetically;
- else, if the word contains only numeric ([0–9]) and punctuation characters, all punctuation characters are ignored and the resulting “numeric-only” word is ordered numerically;
- else, if the word contains only punctuation characters, the word is ordered according to its ASCII collating sequence.

Words consisting of only punctuation characters appear first in this glossary, “numeric-only” words appear second, and “alpha-only” words appear last.

A.1.2 Glossary entries

The general form of a glossary entry is as follows:

name	(stack comment)	Type Codes	FCode#
Brief description			
Full description			

A.1.2.1 Name field

This field gives the name of the word that is being described. If there are multiple glossary entries with the same name, each name is followed by a clarifying comment, as shown in the following example:

draw-logo (*FCode function*)

draw-logo (*package method*)

A.1.2.2 Stack comment field

This field shows the effect of the word on the various Forth stacks and on other resources like the input buffer. The stack comment field is omitted for words to which it does not apply (e.g., *property names*).

ANS Forth conventions (as specified in ANSI X3.215-1994) are followed for stack comment descriptions, with the following differences and enhancements.

In the following table, “xyz” means an arbitrary sequence of characters, usually either a descriptive word (user-defined) or another existing standard stack abbreviation.

The prefixes “b”, “w”, and “q” are used to indicate 8-bit, 16-bit and 32-bit quantities. The terms “...” and “???” are used in place of the ANSI X3.215 terms “i*x” and “j*x”, respectively.

x x1 x2 etc.	Arbitrary stack items
n n1 n2 n3	Normal signed values
xyz	Arbitrary descriptive text
u uxyz	Unsigned value (_0)
nu nu1 etc.	Signed or unsigned value
char	8-bit value representing ISO_Latin-1 character
byte bxyz	Byte (8-bit value)
w wxyz	Doublet (16-bit value)
quad qxyz	Quadlet (32-bit value)
dxyz	Double numbers (2 stack items; most significant on top of stack)
udxyz	Unsigned double numbers (2 stack items; most significant on top of stack)
xyz.lo	Low significant bits of a data item
xyz.hi	High significant bits of a data item
false	0 (false flag)
true	-1 (true flag)
xyz?	Flag (e.g., done? ok? error?); name indicates usage
?xyz?	Flag, but can generate “impure” values (besides 0 or -1)
addr virt	Address (32-bit virtual)
waddr	Doublet(16-bit)-aligned address
qaddr	Quadlet(32-bit)-aligned address
a-addr	Var-aligned address
phys	Physical address
phys.lo	Lower cell of physical address
phys.hi	Upper cell of physical address
len	Length (in bytes)
cnt	Count, number of operations
addr len	Address and length (2 associated stack items) for memory region
xyz-str xyz-len	Address and length (2 associated stack items) for string
xyz-pstr	Address of counted string (first byte contains length)
path-str path-len	String for device path
dev-str dev-len	String for device-specifier (device path or alias)
prop-addr prop-len	A property-encoded-array
xt	Execution token
phandle	Pointer (handle) for a package
ihandle	Pointer (handle) for an instance of a package
	Separates two possible stack effects
...	Unspecified stack item(s). If encountered on both sides of stack comment, means same stack items on both sides
???	Unknown stack item(s)
<nothing>	Zero stack items, i.e., (result <nothing>)
“text<delim>”	Input buffer text, parsed when the command is executed. Text delimiter is enclosed in <...>
[text<delim>]	Text immediately following on the same line as the command; parsed immediately. Text delimiter is enclosed in <...>
/xyz/	In FCode evaluation, indicates FCode byte(s) to be read
< > <space>	Space delimiter. Leading spaces are ignored
<eol>	End-of-line delimiter
{text}	Optional text; causes default behavior if omitted
xyz-sys	Control-flow stack items; implementation-dependent

The topmost stack item is always shown on the right.

Flags are indicated in stack comments by “xyz?”, where *xyz* indicates the meaning of the flag. A **true** result agrees with the meaning of the flag. Examples are *ok?* (**true** if ok), *done?* (**true** if done), *error?* (**true** if error).

Return stack effect (if any) is shown on the same line as and after the normal stack effect (for either compile-time, run-time, or later-execution), with “R:” to distinguish the return stack, i.e.,

```
>r                ( x1 -- ) (R: -- x1 )
```

For words with different behaviors at compile time and run time, the run time behavior is shown after the compile-time behavior, with “C:” to distinguish the compile-time behavior, i.e.,

```
literal          (C: n1 -- )
                  ( -- n1 )
```

For defining words, later behavior of the word that was created is shown before the stack effect for the defining word, with “E:” to distinguish the behavior of the word that was defined, i.e.,

```
constant        (E: -- n1 )
                  ( n1 "new-name<>" -- )
```

For Fcode words, behavior of the word during Fcode compilation is shown with “F:”, i.e.,

```
b(value)        (E: -- x )
                  (F: x -- )
```

Here is a worst-case combination of some of the above:

```
does>           (E: ... -- ??? )      (created name execution)
                  (C: sys1 -- sys2 )   (compilation)
                  ( -- ) (R: sys1 -- )  (“does>” execution)
                  (... -- ... a-addr ) (R: -- sys2 ) (created name initiation)
```

Alternate individual stack items are separated by “|” *without* a space on either side, i.e., (addr len|0 result). Alternate *groups* of stack items are separated by “|” *with* a space on either side, i.e., (addr len false | xt true).

For a text string on the stack, (name-str name-len) specifies the address and length, respectively, of the string. The body of the description sometimes refers to the entire string as simply “name string”.

For a “counted string” (also known as a “packed string”), in which the length is stored as the first byte of the string, the stack comment is (name-pstr).

The following paragraphs describe the syntax used to distinguish between the two forms of commands that parse following text. Both forms have identical results if encountered outside of a definition.

Commands that parse the input buffer *immediately* show the input buffer effect as [text<delimiter>] in the stack comment. For example, `.([text<>] --)` could be used as either

```
.( print this)
```

or

```
: foo .( print this ) ;
```

Commands that parse the input buffer upon *later* execution show the input buffer effect as “text<delimiter>” in the stack comment. For example, `setenv ("name< >value< >" --)` could be used as either

```
setenv name value
```

or

```
: foo setenv ;
```

and later,

```
foo name value
```

“<eol>” denotes end-of-line. This is used for commands that consume the remainder of their input line. Unless specified otherwise, such commands remove leading and trailing white space from the arguments that they parse from the input line. For such commands, optional parameters are shown enclosed by {...}, i.e.,

```
boot ( "{params}<eol>" -- )
```

A.1.2.3 Type codes field

This field categorizes the word that is being defined. Some words fall into more than one category. Each category is denoted by a single uppercase letter. The field consists of a comma-separated list of such letters. The categories and their assigned letters are as follows:

- A ANS Forth word. In most cases, the description body for such words consists only of a one-line brief description. The full specification is given by ANSI X3.215-1994.
- C Compilation only. This command is not allowed outside of a *colon definition*.
- F This command is also a system-defined *FCode function*. The assigned *FCode number* follows.
- M Standard *method* name provided only in certain *packages*. Behavioral details may depend on the type of package in which it resides.
- N *Configuration variable*.
- O Obsolete. Refers to words that are not required for any Open Firmware implementation, but that have existed in some of Open Firmware’s precursors. The descriptions of those words are included to assist implementations that wish to be compatible with previous systems. For additional information, see annex E.
- S Standard string; not a command. Refers to certain “names” that have specified meanings. These names are used as string parameters to certain other commands but are not themselves Forth commands. Examples are package names, device types, *property names*, *device aliases*. In glossary listings, standard strings are spelled with leading/trailing double quotes (i.e., “**string-name**”) to distinguish them from Forth commands. The actual string name does not have double quotes. Standard strings do not have stack comments, because they are not Forth commands.
- T This command is commonly provided as a built-in macro in a *tokenizer*. See the glossary entries for the sequence of equivalent FCode primitives. Note that **0**, **1**, **2**, and **3** represent the FCode commands named **0**, **1**, **2**, and **3**. Literal FCode bytes are represented by 00, 01, 02, etc.

A.1.2.4 FCode# field

This field gives the *FCode number* assigned to this word. It is present only for words with the “F” type code.

A.1.2.5 Description body

This field describes the semantics of the word. The first line of the description body is a brief description that gives an overview of the word’s behavior or purpose. Subsequent lines amplify that brief description to present the detailed specification of the word.

This document uses the word *command* to mean a Forth execution procedure (instead of the ANS Forth *definition* or *named definition*). In addition, this document uses the phrase *command name* to mean the text name of a command (instead of the ANS Forth *word name*).

Within a description body, subheadings are sometimes used, denoting the environment to which the following paragraphs apply. The subheadings are as follows:

- **Interpretation:** Defines the behavior of the word when it is encountered by the Forth interpreter when in interpretation state. This appears only for words whose interpretation behavior is different from their behavior when compiled inside a definition (mostly control flow words and literals).
- **Compilation:** Defines the behavior of the word when it is encountered by the Forth interpreter when in compilation state. Compilation semantics are given only for words whose compilation behavior is different from their behavior when compiled inside a definition (mostly control flow words and literals).
- **Run-time:** Defines the behavior of a word fragment when the definition into which it has been compiled is executed.
- **Execution:** Defines the behavior of the word when it is executed. This appears only for words that have either separately specified compilation or interpretation semantics.

The majority of *Forth words* do not have separately specified interpretation, compilation, and execution semantics; such words behave the same way both inside and outside of definitions, and that one behavior is given, without a subheading, in the description body.

- **FCode evaluation:** Defines the behavior of the word when it is encountered in interpretation state by the *FCode evaluator*. This appears only for *FCode functions* whose behavior is different when encountered by the FCode evaluator than when a definition in which they have been compiled is later executed. In most cases, these are FCode functions that read one or more following bytes from the *FCode program*, such as literals, control flow words, and defining words.
- **FCODE ONLY:** Indicates that the word is not required to be present as a user interface command even if the FCode Debugging *command group* is implemented.
- **Equivalent to:** Defines a possible implementation, in terms of other more primitive commands, for the command being described. It is permissible to use a different implementation if the effective behavior is identical.
- **Tokenizer equivalent:** Defines a sequence of FCode functions that, taken as a whole, is equivalent to the word being defined. *Tokenizers* typically generate that sequence when the word being defined is encountered in *FCode source*. This subheading appears for words with the “T” type code.
- **Tokenizer:** Defines the effect of the word on the subsequent behavior of a tokenizer. This is used for words that affect certain tokenizer modes, such as those controlling its numeric conversion radix, the size of generated branch offsets, and the visibility of names for program-defined functions.
- **ANS Forth/tokenizer difference:** Notes a difference between the ANS Forth behavior of the word and the suggested tokenizer behavior. Most such differences are inevitable because an FCode program has no textual input buffer.
- **ANS Forth note:** Notes a value-added difference where this standard specifies a behavior for the word that is a superset of the required ANS Forth behavior. Usually, the added value takes the form of a specification of the behavior for conditions under which ANS Forth declines to mandate a particular behavior (for example, the interpretation behavior of control flow words).
- **Example:** Gives an example of how the word might be used in a program, with explanatory text.
- **Used as:** Shows typical, representative usage of the command, but does not exclude other formulations. In some examples, the `ok` prompt is shown, emphasizing that this is the way the command is used at the Forth interpreter prompt, as opposed to the way it would be used when compiled inside another definition, e.g.,

```
ok forget old-name
```

- **Usage restriction:** Indicates the conditions under which the word must behave as specified, thus imposing requirements on programs that wish to use the word correctly, but not on the word itself.
- **NOTE**—Gives additional information that is not part of the specification of the word, but that might be helpful in understanding how the word is used or how it can be implemented.

A.2 Specification

A standard system or standard *package* that implements one or more of the following words shall implement them with the semantics given below:

!	(x a-addr --)	A,F	0x72
Store item x to cell at a-addr.			
See: <code>r1!</code>			
"	([text<"><>] -- text-str text-len)	T	
Gather the immediately following string or hex data.			
Interpretation: ([text<"><>] -- text-str text-len)			
Parse <i>text</i> delimited by “””, with hex-sequence handling as described below. Store the resulting string <i>text-str text-len</i> at the next available temporary location. The length of the temporary buffer is implementation-dependent but shall be no less than 80 characters. At least two such temporary buffers shall be provided, using the buffers alternately for successive uses of “”” in interpretation state.			
Compilation: ([text<"><>] --)			
Parse <i>text</i> delimited by “””, with hex-sequence handling as described below. Append the run-time semantics given below to the current definition.			
Run-time: (-- text-str text-len)			
Return <i>text-str</i> and <i>text-len</i> that describe a string consisting of the characters <i>text</i> .			
A standard program shall not alter the contents of the string described by <i>text-str</i> and <i>text-len</i> .			
Used as: <code>" text "<space></code>			
Hex-sequence handling:			
If parsing was terminated by a “”” in the input buffer (as opposed to the exhaustion of the input buffer), take further action depending on the value of the next character in the input buffer as follows:			
If input buffer is exhausted:			
Take no further action			
If next character is white space:			
Consume that character and take no further action			
If next character is “(”:			
Consume that character, parse hexadecimal characters delimited by “(” and “)” as described below, append the characters denoted by those hexadecimal characters to <i>text</i> , and resume “””-delimited parsing to further extend <i>text</i> . (This feature is useful for including nonprintable characters in text strings.)			
Hexadecimal character treatment:			
Treat each pair of hexadecimal digits in the substring between “(” and “)” as the numerical representation (0x00 .. 0xFF) of a character, ignoring nonhexadecimal characters between pairs of hexadecimal characters. Hexadecimal digits shall be recognized in either uppercase or lowercase.			
Otherwise:			
The result is implementation-dependent.			
Used as: <code>" hello"(0102 ff 80,81)there" (addr len)</code>			
Tokenizer equivalent: <code>b(") len-byte xx-byte xx-byte ... xx-byte</code>			
NOTE —“”” is similar to S ” in ANS Forth, but with the addition of hex-sequence handling. The final delimiting “”” must be followed by a white space character, in contrast to S ” which does not require a trailing space.			
#	(ud1 -- ud2)	A,F	0xC7
Convert a digit in pictured numeric output conversion.			

#>	(ud -- str len)	A,F	0xC9
End pictured numeric output conversion.			
'("old-name<>" -- xt)A,T'			
Return execution token <i>xt</i> of a command, parsed later.			
Tokenizer equivalent: b(') old-FCode#			
ANS Forth/tokenizer difference: In FCode source, ' cannot be used inside a colon definition.'			
(([text<>] --)	A,T	
Ignore the immediately following text up to closing “)”.			
Tokenizer equivalent: <nothing>			
(.)	(n -- str len)	T	
Convert a number into a text string.			
Perform the conversion according to the value in base .			
Tokenizer equivalent: dup abs <# u#s swap sign u#>			
*	(nu1 nu2 -- prod)	A,F	0x20
Multiply <i>nu1</i> by <i>nu2</i> .			
* /	(n1 n2 n3 -- quot)	A	
Calculate <i>n1</i> times <i>n2</i> divided by <i>n3</i> .			
+	(nu1 nu2 -- sum)	A,F	0x1E
Add <i>nu1</i> to <i>nu2</i> .			
+!	(nu a-addr --)	A,F	0x6C
Add <i>nu</i> to cell at <i>a-addr</i> .			
,	(x --)	A,F	0xD3
Append <i>x</i> to data space.			
-	(nu1 nu2 -- diff)	A,F	0x1F
Subtract <i>nu2</i> from <i>nu1</i> .			
.	(nu --)	A,F	0x9D
Display number (and trailing space).			
. "	([text<>] --)	A,T	
Display the immediately following text.			
Interpretation: ([text<>] --)			
Parse <i>text</i> delimited by “” and display it.			
Compilation: ([text<>] --)			
Same as ANS Forth.			
Run-time: (--)			
Same as ANS Forth.			
Tokenizer equivalent: b(") len-byte xx-byte xx-byte ... xx-byte type			
ANS Forth note: Usage also allowed while interpreting.			

• (([text<>] --)	A,T	
	Display the immediately following text up to delimiting “ ”.		
/	(n1 n2 -- quot)	A,F	0x21
	Divide <i>n1</i> by <i>n2</i> ; return quotient.		
“/”		S	
	The root node of the device tree.		
	See: 3.1 for a complete description.		
:	(E: ... -- ???) ("new-name<>" -- colon-sys)	A,T	
	Begin creation of a colon definition.		
	Tokenizer equivalent: new-token named-token external-token b(:)		
	ANS Forth/tokenizer difference: In FCode source, : cannot be used inside another colon definition.		
;	(colon-sys --)	A,T,C	
	End creation of a colon definition.		
	Tokenizer equivalent: b(;)		
<	(n1 n2 -- less?)	A,F	0x3A
	Return true if <i>n1</i> is less than <i>n2</i> .		
<#	(--)	A,F	0x96
	Initialize pictured numeric output conversion.		
	See: (.) and (u .) for examples of use.		
<<	(x1 u -- x2)	T	
	Synonym for lshift .		
	Tokenizer equivalent: lshift		
<=	(n1 n2 -- less-or-equal?)	F	0x43
	Return true if <i>n1</i> is less than or equal to <i>n2</i> .		
<>	(x1 x2 -- not-equal?)	A,F	0x3D
	Return true if <i>x1</i> is not equal to <i>x2</i> .		
=	(x1 x2 -- equal?)	A,F	0x3C
	Return true if <i>x1</i> is equal to <i>x2</i> .		
>	(n1 n2 -- greater?)	A,F	0x3B
	Return true if <i>n1</i> is greater than <i>n2</i> .		
>=	(n1 n2 -- greater-or-equal?)	F	0x42
	Return true if <i>n1</i> is greater than or equal to <i>n2</i> .		
>>	(x1 u -- x2)	T	
	Synonym for rshift .		
	Tokenizer equivalent: rshift		

?	(a-addr --)	A,T	
Display the number at address <i>a-addr</i> .			
Tokenizer equivalent: @.			
@	(a-addr -- x)	A,F	0x6D
Fetch item <i>x</i> from cell at <i>a-addr</i> .			
See: r1@			
[(--)	A,C	
Enter interpretation state.			
[']([old-name<>] -- xt)A,T'			
Return execution token <i>xt</i> of a command.			
Interpretation: ([old-name<>] -- xt)			
Skip leading space delimiters. Parse <i>old-name</i> delimited by a space. Find <i>old-name</i> and place its execution token <i>xt</i> on the stack. An ambiguous condition exists if <i>old-name</i> is not found.			
Compilation: ([old-name<>] --)			
Skip leading space delimiters. Parse <i>old-name</i> delimited by a space. Find <i>old-name</i> and append the run-time semantics given below to the current definition. An ambiguous condition exists if <i>old-name</i> is not found.			
Run-time: (-- xt)			
Place <i>old-name</i> 's execution token <i>xt</i> on the stack.			
Tokenizer equivalent: b(') old-FCode#			
ANS Forth note: Usage also allowed while interpreting.			
\]	([rest-of-line<eol>] --)	A,T	
Ignore the immediately following text on this line.			
Tokenizer equivalent: <nothing>			
]	(--)	A	
Enter compilation state.			
0	(-- 0)	F	0xA5
Constant 0.			
This number has its own FCode value to save space in FCode binary form.			
0<	(n -- less-than-0?)	A,F	0x36
Return true if <i>n</i> is less than zero.			
0<=	(n -- less-or-equal-to-0?)	F	0x37
Return true if <i>n</i> is less than or equal to zero.			
0<>	(n -- not-equal-to-0?)	A,F	0x35
Return true if <i>n</i> is not equal to zero.			
0=	(nulflag -- equal-to-0?)	A,F	0x34
Return true if <i>nulflag</i> is equal to zero.			
This command correctly inverts all flags, including "impure" flags.			
0>	(n -- greater-than-0?)	A,F	0x38
Return true if <i>n</i> is greater than zero.			

0>=	(<i>n</i> -- greater-or-equal-to-0?)	F	0x39
Return true if <i>n</i> is greater than or equal to zero.			
1	(-- 1)	F	0xA6
Constant 1. This number has its own FCode value to save space in FCode binary form.			
1+	(<i>nu1</i> -- <i>nu2</i>)	A,T	
Add 1 to <i>nu1</i> . Tokenizer equivalent: 1 +			
1-	(<i>nu1</i> -- <i>nu2</i>)	A,T	
Subtract 1 from <i>nu1</i> . Tokenizer equivalent: 1 -			
-1	(-- -1)	F	0xA4
Constant -1. This number has its own FCode value to save space in FCode binary form.			
2	(-- 2)	F	0xA7
Constant 2. This number has its own FCode value to save space in FCode binary form.			
2!	(<i>x1</i> <i>x2</i> <i>a-addr</i> --)	A,F	0x77
Store cell pair at <i>a-addr</i> .			
2*	(<i>x1</i> -- <i>x2</i>)	A,F	0x59
Shift <i>x1</i> left by one bit-place. Zero-fill low bit.			
2+	(<i>nu1</i> -- <i>nu2</i>)	T	
Add 2 to <i>nu1</i> . Tokenizer equivalent: 2 +			
2-	(<i>nu1</i> -- <i>nu2</i>)	T	
Subtract 2 from <i>nu1</i> . Tokenizer equivalent: 2 -			
2/	(<i>x1</i> -- <i>x2</i>)	A,F	0x57
Shift <i>x1</i> right by one bit-place. High bit unchanged.			
2@	(<i>a-addr</i> -- <i>x1</i> <i>x2</i>)	A,F	0x76
Fetch cell pair from <i>a-addr</i> .			
3	(-- 3)	F	0xA8
Constant 3. This number has its own FCode value to save space in FCode binary form.			

>>a	(x1 u -- x2)	F	0x29
Arithmetic shift <i>x1</i> right by <i>u</i> bit-places.			
Copy high bits with the highest bit (i.e., sign-extend the high bit).			
abort	(... --) (R: ... --)	A,F	0x216
Abort program execution; clear stacks.			
The version of ABORT defined by the ANS Forth EXCEPTION wordset applies.			
abort "	(C: [text<">] --) (... abort? -- ... <nothing>) (R: ... -- ... <nothing>)	A,C	
If flag is nonzero, display text and call abort .			
Used while compiling as: (flag) abort " text "			
Leading spaces before the text are not ignored and end-of-line is not treated as a delimiting space.			
Equivalent to: -2 throw			
abs	(n -- u)	A,F	0x2D
Return absolute value of <i>n</i> .			
accept	(addr len1 -- len2)	A,T	
Get an edited input line and store it at <i>addr</i> .			
Tokenizer equivalent: span @ -rot expect span @ swap span !			
"address"		S	
Standard <i>property name</i> to identify device virtual address.			
<i>prop-encoded-array:</i>			
Arbitrary number of <i>virt-addr</i> values with each value encoded with encode-int .			
Specifies the virtual addresses of one or more memory-mapped regions on this device. This property is typically used to report the virtual addresses of regions that the firmware has already mapped so that client programs can reuse those mappings.			
The correspondence between declared addresses and the set of mappable regions for a particular device is device-dependent.			
Usage restriction: A standard package should create an "address" property after virtual addresses have been assigned by mapping operations, and shall delete the "address" property when the corresponding virtual addresses are unmapped.			
NOTE —The "address" property is particularly useful in the following cases:			
a) When the mapped region is large, reuse of the virtual address conserves mapping resources.			
b) For simple devices (for example, system interrupt control registers), using the firmware's existing mapping prevents the client program from having to know about the mapping process.			
Used as:			
(virt) encode-int " address" property			
See also: free-virtual			
"address-bits"		S	
Standard <i>property name</i> to indicate number of network address bits.			
<i>prop-encoded-array:</i>			
Integer, encoded with encode-int .			
This property, when declared in a "network" device, indicates the number of address bits needed to address this device on the physical layer of its network. The absence of this property indicates the default value of 48.			
Used as: d# 48 encode-int " address-bits" property			

“#address-cells”

S

Standard *property name* to define the package’s address format.

prop-encoded-array:

Integer, encoded with **encode-int**.

This property applies to packages that define a physical address space, i.e., those packages with “**decode-unit**” methods. The property value specifies the number of cells that are used to encode a physical address within that address space. The value of this property affects the other functions, commands, and methods that deal with physical addresses. In a package with a “**decode-unit**” method, a missing “**#address-cells**” property signifies that the number of address cells is two.

For a given bus, the value of this property should be the same on all machines for which that bus could possibly be used, even if those machines do not all have the same cell size. Consequently, the value of the property is determined in part by the smallest cell size among all the machines to which the bus can apply.

An Open Firmware implementation shall operate correctly with values of this property from one to four. An implementation may support larger values.

See also: **map-in**, **map-low**, **decode-unit**, **my-address**, **my-space**, **my-unit**, **encode-phys**, and **decode-phys**.

.adr

(addr --)

Display symbolic form for the given address.

Display the symbol nearest to (but not greater than) the given address. The symbolic form of an address is usually a symbol name plus a non-negative numeric offset.

If **value>sym** returns **false**, display the address as a number.

Other aspects of the displayed value are ISA-dependent.

See also: **value>sym**

again

(C: dest-sys --)

A,T

(--)

End an (infinite) **begin . . . again** loop.

Compilation:

(C: dest-sys --)

Perform the compilation semantics of ANS Forth **AGAIN**. Then, if the current definition is temporary and the depth of the control flow stack is the same as its depth when the temporary current definition was initiated, perform the compilation semantics of **;** and execute the temporary current definition.

Run-time:

(--)

Same as ANS Forth.

NOTE—An external event, such as a keyboard abort, is usually necessary to terminate a **begin . . . again** loop.

Tokenizer equivalent: **bbranch -offset**

ANS Forth note: Also works outside of a definition.

alarm (*xt n --*) F 0x213

Execute *xt* repeatedly, at intervals of *n* milliseconds (ms).

Arrange to periodically execute the package method *xt* at intervals of *n* ms (to the best accuracy possible). If *n* is zero, stop the periodic execution of *xt* within the current instance context (leaving unaffected any periodic execution of *xt* that was established within a different instance).

Before each periodic execution of the method, the implementation shall set the current instance to be the same as the current instance at the time that **alarm** was executed and shall restore the current instance to its previous value afterwards.

Usage restriction: *xt* must be the execution token of a method whose stack diagram is (--); i.e., it neither expects stack arguments nor leaves stack results.

Example: Assume the existence of a command named **fp-switch?** that tests a momentary-contact front-panel switch, returning **true** if the switch is activated. This example shows a way to signal a **user-abort** when the switch is activated.

```

: fp-abort ( -- ) \ Abort if front-panel switch is activated
  fp-switch? if
    begin fp-switch? 0= until
      user-abort
    then
  ;
['] fp-abort d# 100 alarm \ Test switch every tenth of a second

```

alias (E: ... -- ???) T
("new-name< >old-name< >" --)

Create a new command equivalent to an existing command.

Create a new command *new-name*, with the exact behavior of an existing command *old-name*. The stack effect for execution of *new-name* is the same as that of *old-name*. Subsequently, when *new-name* is found, e.g., with “'”, the execution token returned will be that of oldname; similarly, when newname is referenced during the compilation of a new de

Used as: ok alias new-name old-name

Tokenizer equivalent: <resolution of alias>

In FCode source, **alias** cannot be called from within a colon definition. During tokenization of FCode source, no FCode is generated when this command is encountered. Instead, the tokenizer will update its own lookup table of existing commands. Any occurrence of the new command will cause the assigned FCode of the old command to be generated. One implication is that the new command will not appear in the Forth dictionary after the FCode program is compiled. If this behavior is undesirable, use a colon definition instead. Note that this function is unrelated to *device aliases* (compare with **devalias**)

“/aliases” S

The node containing this system’s device alias list.

See: 3.5 for a complete description.

align (--) A

Allocate dictionary bytes to leave top of dictionary var-aligned.

aligned (*n1 -- n1|a-addr*) F 0xAE

Increase *n1* as necessary to give a *var*-aligned address.

The result is the same if *n1* is already a *var*-aligned address; otherwise, return the next larger *var*-aligned address.

alloc-mem (*len -- a-addr*) F 0x8B

Allocate *len* bytes of memory.

Return the virtual address *a-addr* of a buffer aligned to the most stringent requirements of the particular instruction set architecture. If the requested operation cannot be performed, a **throw** shall be called with an appropriate error message, as with **abort**”.

NOTES—Out-of-memory conditions may be detected and handled properly in the code with ['] **alloc-mem catch**. Memory allocated with **alloc-mem** can be freed using **free-mem**. The memory allocated by **alloc-mem** is not suitable for DMA.

- allot** (len --) A,T
Allocate *len* bytes in the dictionary.
If the requested operation cannot be performed, a **throw** shall be called with an appropriate error message, as with **abort**.
Tokenizer equivalent: 0 max 0 ?do 0 c, loop
NOTE—The “tokenizer equivalent” phrase does not handle negative arguments.
NOTE—Out-of-memory conditions may be detected and handled properly in the code with ['] **allot catch**.
- and** (x1 x2 -- x3) A,F 0x23
Return bitwise logical “and” of *x1* and *x2*.
- apply** (... "method-name<>device-specifier<>" -- ???)
Execute named method in the specified package.
Perform the function of **execute-device-method**.
If the requested operation cannot be performed, a **throw** shall be called with an appropriate error message, as with **abort**.
Used as: apply set-tpe-test aliasname
NOTE—Error conditions may be detected and handled properly in the code with ['] **apply catch**.
- ascii** ([text<>] -- char) T
Generate ASCII code for the immediately following character.
Interpretation: ([text<>] -- char)
Skip leading space delimiters. Parse *text* delimited by a space. Put the integer value of the first character of *text* on the stack.
Compilation: ([text<>] --)
Skip leading space delimiters. Parse *text* delimited by a space. Append the run-time semantics given below to the current definition.
Run-time: (-- char)
Place *char*, the integer value of the first character of *text*, on the stack.
Used as: ascii Boo (0x42)
ascii is similar to ANS Forth **CHAR** and [**CHAR**], but has the same usage whether interpreting or compiling.
Tokenizer equivalent: b(lit) 00 00 00 xx-byte
- auto-boot?** (-- auto?) N
If **true**, automatically execute **boot-command** after power-on or **reset-all**.
As the next to last step of the Open Firmware start-up sequence, if **auto-boot?** is **true**, execute the command string specified by **boot-command**.
NOTE—In the usual case, the value of **boot-command** is **boot**. Usually **boot** transfers control to a client program, in which case the following step of entering the command interpreter is not performed.
Configuration variable type: *Boolean*. Suggested default value: **true**.
- “available”** S
Standard *property name* to define *available* resources.
prop-encoded-array:
Arbitrary number of *address, length* pairs. *Address* is a *phys.lo ... phys.hi* list of integers, each integer encoded as with **encode-int**. *Length* (whose format depends on the package) is one or more integers, each encoded as with **encode-int**.
The value of this property defines resources, managed by this package, that are currently available for use by a client program. The use of **claim** and **release** affect the value of this property.
See also: **claim**, “**existing**”, “**reg**”, **release**

b(")	(-- str len) (F: /FCode-string/ --)	F	0x12
	String literal FCode. Followed by <i>FCode-string</i> .		
	FCode evaluation: (F: /FCode-string/ --)		
	Read an <i>FCode-string</i> from the current FCode program. If in interpretation state, copy the <i>FCode-string</i> to a temporary buffer if necessary and perform the run-time semantics given below. If in compilation state, append the run-time semantics given below to the current definition.		
	If a temporary buffer is used, at least two such buffers shall be provided, alternating between the buffers so that at least two distinct strings can be in use at any given time.		
	Run-time: (-- str len)		
	Return <i>str</i> and <i>len</i> describing a string whose characters are the same as the <i>FCode-string</i> .		
	FCODE ONLY (Tokenized by " , .", and . ()		
b(') (-- xt) F0x11'	(F: /FCode#/ --)		
	Function literal FCode. Followed by <i>FCode#</i> .		
	FCode evaluation: (F: /FCode#/ --)		
	Read an <i>FCode#</i> from the current FCode program. If in interpretation state, perform the run-time semantics given below. If in compilation state, append the run-time semantics given below to the current definition.		
	Run-time: (-- xt)		
	Return the execution token <i>xt</i> of the FCode function corresponding to the <i>FCode#</i> .		
	FCODE ONLY (Tokenized by ['] and ')		
b(:)	(E: ... -- ???) (F: -- colon-sys)	F	0xB7
	Define type of new FCode function as "colon definition".		
	FCode evaluation: (F: -- colon-sys)		
	Define the behavior of the most recently created FCode function to be that of a Forth colon definition, with execution semantics as given below. Enter compilation state, initiating the current definition, which will be terminated by the execution of ";" . Enter compilation state and start the current definition, thereby producing <i>colon-sys</i> . Append the initiation semantics given below to the current definition.		
	The execution semantics of the definition will be determined by the words compiled into the body of the definition.		
	Initiation: (R: -- sys)		
	Save implementation-dependent information <i>sys</i> about the calling definition.		
	Execution: (of defined word) (... -- ???)		
	Perform the body of the definition.		
	FCODE ONLY (Tokenized by :)		
b(;)	(--) (F: colon-sys --)	C,F	0xC2
	End an FCode colon definition.		
	FCode evaluation: (F: colon-sys --)		
	Append the run-time semantics given below to the current definition, terminate the current definition, and enter interpretation state.		
	Run-time: (--) (R: sys --)		
	Return control to the caller of the definition containing ; . <i>sys</i> is produced by the corresponding b(:) .		
	FCODE ONLY (Tokenized by ;)		

banner

(--)

Display the system power-on banner.

The banner is displayed at a system-dependent screen location (usually either at the top of the screen or at the current cursor position).

If the current output device has a **device_type** property whose value is “**display**”, display a logo by executing the current output device’s **draw-logo** method with the following arguments:

The *line#* argument, at the system’s discretion, is either 0 or the line number corresponding to the current cursor position.

If **oem-logo?** is **true**, the *addr* argument is the address returned by **oem-logo**. Otherwise, it is the address of the system-dependent default logo.

The *width* and *height* arguments are both 64.

In any case, display additional information as follows:

If **oem-banner?** is **true**, display the text given by the value of **oem-banner**.

Otherwise, display implementation-dependent information about the system, for example, the machine type, serial number, firmware revision, network address, and hardware configuration.

If executed within the *script*, suppress automatic execution of the following Open Firmware start-up sequence:

```
probe-all install-console banner
```

See also: **suppress-banner**

base

(-- a-addr)

A,F

0xA0

variable containing the current numeric conversion radix.

Use this value for all subsequent numeric conversion, except where noted otherwise.

During tokenizing of FCode source, changes to this value do not affect evaluation of subsequent numeric input text.

ANS Forth/tokenizer difference: ANS Forth has no separate “tokenizing” behavior.

bbranch

(--)

F

0x13

(F: /FCode-offset/ --)

Unconditional branch FCode. Followed by *FCode-offset*.

FCode evaluation:

(F: /FCode-offset/ --)

Read *FCode-offset*, whose target is the matching **b(<mark)** or **b(>resolve)**, from the current FCode program.

If *FCode-offset* is negative, corresponding to a backward branch: (C: dest orign .. orig1 -- orign .. orig1)

Append the run-time semantics given below to the current definition, resolving the backward reference *dest*. Then, if the current definition is temporary and the depth of the control flow stack is the same as its depth when the temporary current definition was initiated, perform the FCode evaluation semantics of **b(;)** and execute the temporary current definition.

If *FCode-offset* is non-negative, corresponding to a forward branch:

If in interpretation state:

Read and discard *FCode-offset-2* bytes (if the *FCode-offset* size is 16 bits) or *FCode-offset-1* bytes (if the *FCode-offset* size is 8 bits) from the current FCode program and take no further action.

If in compilation state: (C: orig1 -- orig2 orig1)

Put the location of a new unresolved forward reference *orig2* onto the control flow stack underneath *orig1*.

Append the run-time semantics given below to the current definition. The semantics will be incomplete until *orig2* is resolved (e.g., by **b(>resolve)**).

Run-time:

(--)

If *FCode-offset* is negative:

Continue execution at the location specified by *dest*.

If *FCode-offset* is non-negative:

Continue execution at the location given by the resolution of *orig2*.

NOTE—The *FCode-offset* negative case is used to implement the Forth words **again** and **repeat**. For **repeat**, the FCode number for **b(>resolve)** (resolving *orig1*) immediately follows **bbranch** and its offset. In either case, *dest* corresponds to the preceding **b(<mark)**.

NOTE—The *FCode-offset* non-negative case is used to implement the Forth word **else**, in which case the FCode number for **b(>resolve)** (resolving *orig1*) immediately follows **bbranch** and its offset, and somewhat later another **b(>resolve)** (resolving *orig2*) follows the sequence corresponding to the Forth source code after **else**.

FCODE ONLY (Tokenized by **again**, **repeat**, and **else**)

b?branch (don't-branch? --) F 0x14
(F: /FCode-offset/ --)

Conditional branch FCode. Followed by *FCode-offset*.

FCode evaluation: (F: /FCode-offset/ --)

Read *FCode-offset*, whose target is the matching **b(<mark)** or **b(>resolve)**, from the current FCode program.

If *FCode-offset* is negative, corresponding to a backward branch: (C: dest orig1 .. orig1 -- orig1 .. orig1)

Append the run-time semantics given below to the current definition, resolving the backward reference *dest*. Then, if the current definition is temporary and the depth of the control flow stack is the same as its depth when the temporary current definition was initiated, perform the FCode evaluation semantics of **b(;)** and execute the temporary current definition.

If *FCode-offset* is non-negative, corresponding to a forward branch:

If in interpretation state: (x --)

If all bits of *x* are zero, read and discard *FCode-offset-2* bytes (if the *FCode-offset* size is 16 bits) or *FCode-offset-1* bytes (if the *FCode-offset* size is 8 bits) from the current FCode program and take no further action. Otherwise, take no further action.

If in compilation state: (C: -- orig)

Put the location of a new unresolved forward reference *orig* onto the control flow stack. Append the run-time semantics given below to the current definition. The semantics will be incomplete until *orig* is resolved (e.g., by **b(>resolve)**).

Run-time: (x --)

If *FCode-offset* is negative:

If all bits of *x* are zero, continue execution at the location specified by *dest*.

If *FCode-offset* is non-negative:

If all bits of *x* are zero, continue execution at the location specified by the resolution of *orig*.

NOTE—The *FCode-offset* negative case is used to implement the Forth word **until**.

NOTE—The *FCode-offset* non-negative case is used to implement the Forth words **if** and **while**.

FCODE ONLY (Tokenized by **until**, **while**, and **if**)

b(buffer:) (E: -- a-addr) F 0xBD
(F: size --)

Defines type of new FCode function as **buffer:.**

FCode evaluation: (F: size --)

If **instance** has been executed since the last execution of **b(buffer:)**, **b(variable)**, **b(value)**, or **b(defer)**, allocate *size* bytes of storage in the current package's zero-filled data area; otherwise, allocate the storage in data space. Define the behavior of the most recently created FCode function to have the execution semantics given below.

Execution: (of defined word) (-- a-addr)

Return *a-addr*, the address of the storage associated with the defined word.

FCODE ONLY (Tokenized by **buffer:.**)

b(case) (sel -- sel) F 0xC4
(F: --)

Begin a **case** (multiple selection) statement.

FCode evaluation: (F: --)

Perform the interpretation or compilation semantics of **case**.

FCODE ONLY (Tokenized by **case**)

b(constant)	(E: -- n) (F: n --)	F	0xBA
Defines type of new FCode function as constant .			
FCode evaluation:	(F: n --)		
Define the behavior of the most recently created FCode function to have the execution semantics given below.			
Execution: (of defined word)	(-- n)		
Place <i>n</i> on the stack.			
FCODE ONLY (Tokenized by constant)			
b(create)	(E: -- a-addr) (F: --)	F	0xBB
Defines type of new FCode function as create word.			
FCode evaluation:	(F: --)		
If the data space pointer is not aligned, reserve enough data space to align it. This address defines the most recently created word's data field. b(create) does not allocate data space in the created word's data field. Define the behavior of the most recently created FCode function to have the execution semantics given below.			
Execution: (of defined word)	(-- a-addr)		
Place <i>a-addr</i> , the address of the defined word's data field, on the stack.			
FCODE ONLY (Tokenized by create)			
b(defer)	(E: ... -- ???) (F: --)	F	0xBC
Defines type of new FCode function as defer word.			
FCode evaluation:	(F: --)		
If instance has been executed since the last execution of b(buffer:) , b(variable) , b(value) , or b(defer) , allocate sufficient storage for an execution token in the current package's initialized data area; otherwise allocate the storage in data space. Set the initial value of that storage to the execution token for a definition that, if executed, will display a message indicating execution of an uninitialized defer word. Define the behavior of the most recently created FCode function to have the execution semantics given below.			
Execution: (of defined word)	(... -- ???)		
Execute the definition currently associated with the defined word.			
The definition associated with the defined word can be changed later by placing the execution token of the new definition on the stack and executing the FCode function corresponding to the sequence b(to) FCode# , where <i>FCode#</i> is the FCode number of the defined word.			
FCODE ONLY (Tokenized by defer)			
b(do)	(limit start --) (F: /FCode-offset/ --)	F	0x17
Begin FCode do .. loop . Followed by <i>FCode-offset</i> .			
FCode evaluation:	(F: /FCode-offset/ --)		
Read <i>FCode-offset</i> , whose target is the matching b(loop) or b(+loop) , from the current FCode program and perform the interpretation or compilation semantics of do .			
FCODE ONLY (Tokenized by do)			
b(?do)	(limit start --) (F: /FCode-offset/ --)	F	0x18
Begin FCode ?do .. loop . Followed by <i>FCode-offset</i> .			
FCode evaluation:	(F: /FCode-offset/ --)		
Read <i>FCode-offset</i> , whose target is the matching b(loop) or b(+loop) , from the current FCode program and perform the interpretation or compilation semantics of ?do .			
FCODE ONLY (Tokenized by ?do)			

begin	(C: -- dest-sys) (--)	A,T
Begin a conditional loop.		
Interpretation:	(C: -- dest-sys)	
Enter compilation state, initiating a temporary current definition in a region of memory other than the data space. Then perform the compilation semantics of ANS Forth BEGIN .		
Compilation:	(C: -- dest-sys)	
Same as ANS Forth.		
Run-time:	(--)	
Same as ANS Forth.		
Tokenizer equivalent: b(<mark)		
ANS Forth note: Also works outside of a definition.		
begin-package	(arg-str arg-len reg-str reg-len dev-str dev-len --)	
Set up device tree, before creating new node.		
Perform the following:		
— Open the parent device (and all higher parents) with open-dev and the parameter <i>dev-string</i> . If the call to open-dev returns a zero, terminate execution with an appropriate error message, as with abort .		
— Set my-self to the new parent <i>ihandle</i> .		
— Set the <i>active package</i> to the parent device.		
— Call new-device to open the child device node.		
— Call set-args to set arguments for the child by using the parameters <i>arg-string</i> and <i>reg-string</i> .		
<i>dev-string</i> is the device path string (either a full device pathname, or a pre-defined device alias) of the parent of the child node about to be created.		
<i>reg-string</i> is the <i>unit address</i> string (i.e., “3,1000”) and contains the text representation of the physical address of the child (within the address space of the parent device). The numerical representation of this physical address can be returned within the child with the my-address and my-space FCodes.		
<i>arg-string</i> is the <i>instance-arguments</i> string and contains the value that can be returned within the child with the my-args FCode.		
Used as: 0 0 " 3,2000" " /sbus" begin-package		
behavior	(defer-xt -- contents-xt)	F 0xDE
Retrieve execution behavior of a defer word.		
This command is used to obtain the execution contents of a defer word. A typical use would be to retrieve and save the execution behavior of the defer word, set the defer word to a new behavior, and then later restore the old behavior.		
Used as: ['] defer-name behavior (contents-xt)		
bell	(-- 0x07)	F 0xAB
ASCII code for “bell” character.		
b(endcase)	(sel <nothing> --) (F: --)	F 0xC5
End a case (multiple selection) statement.		
FCode evaluation:	(F: --)	
Perform the compilation semantics of endcase .		
FCODE ONLY (Tokenized by endcase)		

b(endof)	(--) (F: /FCCode-offset/ --)	F	0xC6
FCCode for endof in case statement. Followed by <i>FCCode-offset</i> .			
FCCode evaluation:	(F: /FCCode-offset/ --)		
Read <i>FCCode-offset</i> , whose target is the matching b(endcase) , from the current FCCode program and perform the Compilation semantics of endof .			
FCODE ONLY (Tokenized by endof)			
between	(n min max -- min<=n<=max?)	F	0x44
Return true if <i>n</i> is between <i>min</i> and <i>max</i> , inclusive.			
b(field)	(E: addr -- addr+offset) (F: offset size -- offset+size)	F	0xBE
Defines type of new FCCode function as field .			
FCCode evaluation:	(F: offset size -- offset+size)		
Define the behavior of the most recently created FCCode function to have the execution semantics given below. Return the sum of <i>offset</i> and <i>size</i> .			
Execution: (of defined word)	(addr -- addr+offset)		
Return the sum of <i>addr</i> and <i>offset</i> .			
FCODE ONLY (Tokenized by field)			
b1	(-- 0x20)	A,F	0xA9
ASCII code for “ ” (blank) character.			
blank	(addr len --)	A,T	
Set <i>len</i> bytes beginning at <i>addr</i> to the value 0x20.			
Tokenizer equivalent: <code>b1 fill</code>			
b(leave)	(F: --)	F	0x1B
Exit from a do ... loop .			
FCCode evaluation:	(F: --)		
Append the execution semantics of leave to the current definition.			
FCODE ONLY (Tokenized by leave)			
blink-screen	(--)	F	0x15B
defer , flash the screen.			
blink-screen is one of the defer words of the display device interface. The terminal emulator package executes blink-screen when it has processed a character sequence that calls for ringing the console bell, but the console input device package has no “ ring-bell ” method.			
Any standard package that uses the terminal emulator package shall, as part of the process of opening the terminal emulator package, set this defer word to a function with the following behavior:			
Cause some momentary discernible effect, afterwards leaving the screen in the same state as before.			
See also: <code>to</code> , <code>fb8-install</code>			

b(lit)	(-- n) (F: /FCCode-num32/ --)	F	0x10
Numeric literal FCode. Followed by <i>FCCode-num32</i> .			
FCCode evaluation: (F: /FCCode-num32/ --)			
Read an <i>FCCode-num32</i> from the current FCode program. If in interpretation state, perform the run-time semantics given below. If in compilation state, append the run-time semantics given below to the current definition.			
Run-time: (-- n)			
Return <i>n</i> , the signed number with the same numerical value as the <i>FCCode-num32</i> .			
FCODE ONLY (Tokenized by numbers)			
bljoin	(b1.lo b2 b3 b4.hi -- quad)	F	0x7F
Join four bytes to form a quadlet.			
The high bits of each of the four bytes must be zero.			
“block”		S	
Random-access, block-oriented device type.			
Standard string value of the “ device_type ” property for disk (i.e., random-access, fixed-length block storage) devices.			
A standard package with this “ device_type ” property value shall implement the following methods.			
open, close, read, seek, load			
A standard package with this “ device_type ” property value should implement the following method if the associated device is writeable.			
write			
A standard package with this “ device_type ” property value may implement additional device-specific methods.			
NOTE —Such packages often use the “ deblocker ” support package to implement the read , write , and seek methods and the “ disk-label ” support package to implement the load method.			
block-size	(-- block-len)	M	
Return “granularity” for accesses to this device.			
Return the “granularity” in bytes for accesses to this device. Perform all transfers to the device in multiples of this size.			
A returned value of 1 signifies that arbitrary transfer sizes are supported (up to the maximum specified by max-transfer).			
b(loop)	(--) (F: /FCCode-offset/ --)	F	0x15
End FCode do .. loop . Followed by <i>FCCode-offset</i> .			
FCCode evaluation: (F: /FCCode-offset/ --)			
Read <i>FCCode-offset</i> , whose target is the matching b(do) or b(?do) , from the current FCode program and perform the compilation semantics of loop . Then, if the current definition is temporary and the depth of the control flow stack is the same as its depth when the temporary current definition was initiated, perform the FCode evaluation semantics of b(;) and execute the temporary current definition.			
FCODE ONLY (Tokenized by loop)			
b(+loop)	(delta --) (F: /FCCode-offset/ --)	F	0x16
End FCode do .. +loop . Followed by <i>FCCode-offset</i> .			
FCCode evaluation: (F: /FCCode-offset/ --)			
Read <i>FCCode-offset</i> , whose target is the matching b(do) or b(?do) , from the current FCode program and perform the compilation semantics of +loop . Then, if the current definition is temporary and the depth of the control flow stack is the same as its depth when the temporary current definition was initiated, perform the FCode evaluation semantics of b(;) and execute the temporary current definition.			
FCODE ONLY (Tokenized by +loop)			

b(<mark>	(F: --)	F	0xB1
Target of backward bbranch or b?branch .			
FCode evaluation:			
(F: --)			
Perform the interpretation or compilation semantics of begin .			
FCODE ONLY (Tokenized by begin)			
body>	(a-addr -- xt)	F	0x85
Convert data field address to execution token.			
>body	(xt -- a-addr)	A,F	0x86
Convert execution token to data field address.			
b(of)	(sel of-val -- sel <nothing>) (F: /FCode-offset/ --)	F	0x1C
FCode for of in case statement. Followed by <i>FCode-offset</i> .			
FCode evaluation:			
(F: /FCode-offset/ --)			
Read <i>FCode-offset</i> , whose target is the matching b(endof) , from the current FCode program and perform the compilation semantics of of .			
FCODE ONLY (Tokenized by of)			
boot	("{param-text}<eol>" --)		
Load and execute a program, specified by <i>param-text</i> .			
Perform whatever system-dependent steps are necessary to ensure a suitable state for booting, in the event that user actions have interrupted the normal start-up procedure. Then perform the function of load in order to load a client program from the device specified by the command line arguments.			
If the loading process succeeds, perform the function of go to execute the client program.			
Used as:			
ok boot			
ok boot device-specifier			
ok boot arguments			
ok boot device arguments			
boot-command	(-- addr len)	N	
Command executed if auto-boot? is true .			
The value of this configuration variable is a string that is evaluated as with evaluate .			
Configuration variable type: <i>string[32]</i> . Suggested default value: boot .			
boot-device	(-- dev-str dev-len)	N	
Default <i>device-name</i> for boot , if diagnostic-mode? is false .			
<i>dev-string</i> is a <i>device-specifier</i> or a list of <i>device-specifiers</i> , as described in load .			
Configuration variable type: <i>string[32]</i> . Suggested default value: disk .			
boot-file	(-- arg-str arg-len)	N	
Default <i>arguments</i> for boot , if diagnostic-mode? is false .			
Configuration variable type: <i>string[32]</i> . Suggested default value: an empty string.			
"bootargs"		S	
Standard <i>property name</i> containing the chosen boot command <i>arguments</i> .			
<i>prop-encoded-array:</i>			
Text string, encoded with encode-string .			
This property appears in the /chosen node if a boot or load command has been issued since the firmware was last reset. Its value is the <i>arguments</i> field of the most recent boot command.			

“bootpath”		S	
Standard <i>property name</i> containing the chosen boot <i>device path</i> .			
<i>prop-encoded-array</i> :			
Text string, encoded with encode-string .			
This property appears in the /chosen node if a boot or load command has been issued since the firmware was last reset. Its value is the complete <i>device path</i> to which the <i>device-specifier</i> of that command was resolved.			
bounds	(n cnt -- n+cnt n)	F	0xAC
Prepare arguments for do or ?do loop.			
Equivalent to: <code>over + swap</code>			
+bp	(addr --)		
Add the given address to the breakpoint list.			
-bp	(addr --)		
Remove the breakpoint at the given address.			
--bp	(--)		
Remove most recently set breakpoint (repeat if desired).			
.bp	(--)		
Display a list of all locations that are breakpoints.			
bpoff	(--)		
Remove all breakpoints from the breakpoint list.			
.breakpoint	(--)		
Action performed when breakpoint occurs.			
Execute this command whenever a breakpoint occurs. The default behavior is the .instruction command.			
.breakpoint is a defer command, alterable with the to command. For example, the following example shows how to display registers at every breakpoint.			
Use as: <code>['] .registers to .breakpoint</code>			
b(>resolve)	(--) (F: --)	F	0xB2
Target of forward bbranch or b?branch .			
FCode evaluation:	(F: --)		
Perform the compilation semantics of then . Then, if the current definition is temporary and the depth of the control flow stack is the same as its depth when the temporary current definition was initiated, perform the FCode evaluation semantics of b(;) and execute the temporary current definition.			
FCODE ONLY (Tokenized by else , then , and repeat)			
bs	(-- 0x08)	F	0xAA
ASCII code for “backspace” character.			

b(to)	(x --) (F: /FCode#/ --)	F	0xC3
FCode for setting values and defers . Followed by <i>FCode#</i> .			
FCode evaluation: (F: /FCode#/ --)			
Read <i>FCode#</i> from the current FCode program.			
If in interpretation state:			
Perform the execution semantics given below.			
If in compilation state:			
Append the execution semantics given below to the current definition.			
Execution: (x --)			
Set the value associated with the definition corresponding to <i>FCode#</i> to <i>x</i> . The interpretation of <i>x</i> and the method of storage depend on the type (e.g., value or defer) of the definition being stored to.			
FCODE ONLY (Tokenized by to)			
buffer:	(E: -- a-addr) (len "new-name<>" --)	T	
Creates a named data buffer. <i>new-name</i> returns address.			
Creates a data variable named <i>new-name</i> and allocates a data buffer of <i>len</i> bytes (using alloc-mem). Upon later execution of <i>new-name</i> , return the address <i>a-addr</i> of the first byte of the buffer.			
Used as: ok 100 buffer: new-name			
Later used as: 55 new-name 20 + c!			
Tokenizer equivalent: new-token named-token external-token b(buffer:)			
In FCode source, buffer: cannot be used inside a colon definition.			
NOTE —The memory allocated by buffer: is not suitable for DMA.			
b(value)	(E: -- x) (F: x --)	F	0xB8
Defines type of new FCode function as value .			
FCode evaluation: (F: x --)			
If instance has been executed since the last execution of b(buffer:) , b(variable) , b(value) , or b(defer) , allocate one cell of storage in the current package's initialized data area; otherwise, allocate the storage in data space. Set the initial value of that cell to <i>x</i> . Define the behavior of the most recently created FCode function to have the execution semantics given below.			
Execution: (of defined word) (-- x)			
Return the value <i>x</i> associated with the defined word.			
The value associated with the defined word can be changed later with b(to) .			
FCODE ONLY (Tokenized by value)			
b(variable)	(E: -- a-addr) (F: --)	F	0xB9
Defines type of new FCode function as variable .			
FCode evaluation: (F: --)			
If instance has been executed since the last execution of b(buffer:) , b(variable) , b(value) , or b(defer) , allocate one cell of storage in the current package's initialized data area; otherwise, allocate the storage in data space. Set the initial value of that cell to zero. Define the behavior of the most recently created FCode function to have the execution semantics given below.			
Execution: (of defined word) (-- a-addr)			
Place <i>a-addr</i> , the address of the allocated cell, on the stack.			
FCODE ONLY (Tokenized by variable)			
bwjoin	(b.lo b.hi -- w)	F	0xB0
Join two bytes to form a doublet.			
The high bits of each of the two bytes must be zero.			

“byte”

S

Sequential-access, record-oriented device type.

Standard string value of the “**device_type**” property for tape (i.e., sequential-access, record-oriented storage) devices.

A standard package with this “**device_type**” property value shall implement the following methods.

open, close, read, seek, load

A standard package with this “**device_type**” property value should implement the following method if the associated device is writable.

write

A standard package with this “**device_type**” property value may implement additional device-specific methods.

Additional Requirements for the **seek** method:

Seek to the byte numbered *pos.lo* within the tape file *pos.hi*. If *pos.lo* and *pos.hi* are both zero, rewind the tape. Return **false** if successful, **true** if not successful.

Additional Requirements for the **load** method:

Read a client program from the tape file specified by the value of the *instance-argument* text string (as returned by **my-args**). That value is the string representation of a decimal integer. If the *instance-argument* string is empty, use tape file zero.

Place the program at memory address *addr* and return its length *len*.

NOTE—Such packages often use the “**deblocator**” support package to implement the **read, write, and seek** methods.

byte-load

(addr xt --)

F

0x23E

Interpret FCode beginning at location *addr*.

Save the state of the FCode evaluator, including the location of the next byte to be interpreted, the internal state variable *fcode-end*, the size of *FCode-offsets*, the assignments of FCode numbers to program-defined FCode functions, the *spread* value, and the specification of the current FCode access procedure.

Set the internal state variable *fcode-end* to false. Set *spread*, the initial distance between successive FCode bytes, to one.

If *xt* is one, set the FCode access procedure to **rb@**. Otherwise, set the FCode access procedure to the definition whose execution token is *xt*.

Assign the FCode function **error** to all FCode numbers in the program-defined range. Evaluate the FCode program, reading successive FCode bytes by repeated execution of the FCode access procedure as described below, continuing evaluation until *fcode-end* becomes true (e.g., as a result of the execution of **end0**).

The stack effect of the FCode access procedure is (*addr1* -- byte) where *addr1* is a number that selects the FCode byte *byte*; its precise meaning depends on the FCode access procedure. The first time that a particular invocation of **byte-load** executes the FCode access procedure, *addr1* is the same as *addr*. Each subsequent time, *addr1* exceeds the previous value of *addr1* by the current value of *spread*.

When evaluation of this FCode program ceases, or if a **throw** that is not caught at a lower level is executed during the FCode evaluation, restore the state of the FCode evaluator to the saved values.

NOTE—**byte-load** does not itself create a new device node as a “container” for any properties and methods defined by the FCode program that **byte-load** evaluates. If, as is commonly the case, it is desirable to create such a device node, that must be done as a separate step, for example by executing **new-device** and **set-args** before executing **byte-load**, and by executing **finish-device** afterwards. If **byte-load** is to be executed as a user interface command, instead of as an FCode function, additional setup is usually necessary before executing **new-device**; see **begin-package** for more information.

c!

(byte addr --)

A,F

0x75

Store byte to *addr*.

See: **rb!**.

c,

(byte --)

A,F

0xD0

Compile a byte into the dictionary.

c;

(code-sys --)

End creation of machine-code command; will return to caller.

Assemble code so that the created machine-code command, when executed, returns control to the calling routine. *code-sys* is balanced by the corresponding **code** or **label**.

- /c** (-- n) F 0x5A
The number of address units to a byte: one.
- /c*** (nu1 -- nu2) T
Synonym for **chars**.
Tokenizer equivalent: chars
- c@** (addr -- byte) A,F 0x71
Fetch byte from *addr*.
See: **rb@**.
- ca+** (addr1 index -- addr2) F 0x5E
Increment *addr1* by *index* times the value of **/c**.
- ca1+** (addr1 -- addr2) T
Synonym for **char+**.
Tokenizer equivalent: char+

callback ("service-name<>" "arguments<eol>" --)

Execute specified client program callback routine.

Skip leading space delimiters. Parse *service-name* delimited by space. Parse *arguments* delimited by end-of-line. If a client program callback handler has not been installed (as with the **set-callback** client interface service), signal an error by executing **throw** with a system-dependent nonzero argument. Otherwise, call the client program callback handler with an argument array containing the following items:

Cell Name	Contents
service	The address of a null-terminated string containing <i>service-name</i> .
N-args	1
N-returns	1
arg1	The address of a null terminated string containing <i>arguments</i> .
ret1	<One uninitialized return value cell.>

When the handler returns, **throw** the value returned in the *ret1* cell.

NOTE—With an argument of zero, **throw** is effectively a *no-op*; thus, to return successfully, the application callback handler should return a zero in the *ret1* cell.

\$callback (argn ... arg1 nargs addr len -- retn ... ret2 Nreturns-1)

Execute specified client program callback routine.

If a client program callback handler has not been installed (as with the `set-callback` client interface service), signal an error by executing **throw** with a system-dependent nonzero argument. Otherwise, call the client program callback handler with an argument array containing the following items:

Cell Name	Contents
service	The address of a null-terminated string containing the <i>application callback service-name</i> defined by <i>addr, len</i>
N-args	<i>nargs</i>
N-returns	<An integer with minimum value 6. See below.>
arg1, ..., argN	<i>arg1 ... argn</i>
ret1, ..., retN	<A minimum of 6 uninitialized return value cells. See below.>

The argument array shall have at least six cells available for return values, and *N_returns* shall be set to the number of such cells before calling the handler.

When the handler returns, **throw** the value contained in the *ret1* cell. If **throw** returns (i.e., if *ret1* contained zero), push onto the data stack the return values *retN* (pushed first) through *ret2* (pushed last), followed by the number of return values, which is one less than the value contained in the *N_returns* cell.

NOTE—The value in *N_returns* after the handler returns will not necessarily be the same as the value that was placed there prior to calling the handler. Prior to calling the handler, it indicates the number of available cells for return values, and after calling the handler, it indicates the number of return cells actually returned by the handler.

\$call-method (... method-str method-len ihandle -- ???) F 0x20E

Execute the method named *method-string* in the instance *ihandle*.

Save the value of **my-self**, set **my-self** to *ihandle* (thus making *ihandle* the current instance), execute the indicated method, and restore **my-self** to the saved value. If the called package has no such method, signal an error with **throw**.

call-package (... xt ihandle -- ???) F 0x208

Execute the method *xt* within the instance *ihandle*.

Save the value of **my-self**, set **my-self** to *ihandle* (thus making *ihandle* the current instance), execute the method *xt*, and restore **my-self** to the saved value.

xt is typically obtained with **find-method**.

\$call-parent (... method-str method-len -- ???) F 0x209

Execute the method named *method-string* in the parent instance.

Equivalent to: `my-parent $call-method`

If the called package has no such method, signal an error with **throw**.

.calls (xt --)

Display all commands which use the execution token *xt*.

Used as: `['] test-name .calls`

NOTE—Only direct usages are found. Thus, if *name2* calls *name1* and *name3* calls *name2*, then:

```
[ ' ] name1 .calls
```

will list *name2* but not *name3*.

carret (-- 0x0D) T

ASCII code for “carriage-return” character.

Tokenizer equivalent: `b(lit) 00 00 00 0x0D`

case	(C: -- case-sys) (sel -- sel)	A,T	
Begin a case (multiple selection) statement.			
Interpretation:	(sel -- sel)		
Enter compilation state, initiating a temporary current definition in a region of memory other than the data space. Then perform the compilation semantics of ANS Forth CASE .			
Compilation:	(C: -- case-sys)		
Same as ANS Forth.			
Run-time:	(sel -- sel)		
Same as ANS Forth.			
Tokenizer equivalent:	b(case)		
ANS Forth note: Also works outside of a definition.			
catch	(... xt -- ??? error-code ??? false)	A,F	0x217
Execute command indicated by <i>xt</i> . Return throw result.			
The value of my-self shall be included within the exception frame.			
ANS Forth note: also saves my-self .			
cell+	(addr1 -- addr2)	A,F	0x65
Increment <i>addr1</i> by the value of <i>/n</i> .			
cells	(nu1 -- nu2)	A,F	0x69
Multiply <i>nu1</i> by the value of <i>/n</i> .			
char	("text<>" -- char)	A	
Generate ASCII code for next character from input buffer.			
char+	(addr1 -- addr2)	A,F	0x62
Increment <i>addr1</i> by the value of <i>/c</i> .			
[char]	(C: [text<>] --) (-- char)	A,C	
Generate ASCII code for next character from input buffer.			
“character-set”		S	
Standard <i>property name</i> to specify the character set for this device.			
<i>prop-encoded array:</i>			
Text string, encoded with encode-string .			
This standard property applies to packages implementing “ device_type ”, “ serial ”, or “ display ”. The value of this property defines the character set for this device. A typical value is “ISO8859-1”. The character set names are as defined by the X Registry for use with the X Window System.			
Used as: " ISO8859-1" encode-string " character-set" property			
For more information about the X Registry contact:			
Bob Scheifler Laboratory for Computer Science 545 Technology Square Cambridge, MA 02139			

char-height	(-- height)	F	0x16C
<p>value, return the height of a font character in pixels.</p> <p>char-height is a value that is used by the “fb1” and “fb8” frame-buffer support packages. It denotes the height of a character in pixels.</p> <p>Any standard package that uses one of the frame-buffer support packages shall set this value prior to executing either fb1-install or fb8-install. That is typically done by executing set-font.</p>			
chars	(nu1 -- nu2)	A,F	0x66
<p>Multiply <i>nu1</i> by the value of <i>/c</i>.</p>			
char-width	(-- width)	F	0x16D
<p>value, return the width of a font character in pixels.</p> <p>char-width is a value that is used by the “fb1” and “fb8” frame-buffer support packages. It denotes the width of a character in pixels (the frame-buffer support packages use fixed-width fonts, thus all characters are the same width).</p> <p>Any standard package that uses one of the frame-buffer support packages shall set this value prior to executing either fb1-install or fb8-install. That is typically done by executing set-font.</p>			
child	(phandle.parent -- phandle.child)	F	0x23B
<p>Return the phandle of the first child node of parent.</p> <p><i>Phandle.child</i> is the node identifier of the node that is the first child of the device node <i>phandle.parent</i>, or zero if there are no children.</p>			
“/chosen”		S	
<p>The node containing run-time choices</p> <p>See: 3.5 for a complete description.</p>			
claim	([addr ...] size ... align -- base ...)	M	
<p>Allocate (claim) addressable resource.</p> <p>Allocates <i>size ...</i> (whose format depends on the package) bytes of the addressable resource managed by the package containing this method. If <i>align</i> is zero, the allocated range begins at the address <i>addr ...</i> (whose format depends on the package). Otherwise, <i>addr ...</i> is not present, and an aligned address is automatically chosen. The alignment boundary is the smallest power of two greater than or equal to the value of <i>align</i>; an <i>align</i> value of 1 signifies one-byte alignment. <i>Base ...</i> (whose format is the same as <i>addr ...</i>) is the address that was allocated (equal to <i>addr ...</i> if <i>align</i> was 0).</p> <p>If the operation fails, uses throw to signal the error.</p> <p>Claim does not automatically create an address translation for the allocated resource. See 3.6.5.</p> <p>NOTE—This method provides fine-grained control over the allocation of addressable resources. In general, such control is needed only by system-specific programs. General-purpose memory allocation can be accomplished in a portable fashion by alloc-mem.</p> <p>See also: alloc-mem, “available”, free-mem, release.</p>			
clear	(... --)		
<p>Empty the stack.</p> <p>This command is useful as a development tool. However, it is almost always inappropriate to use this command in a program.</p>			
close	(--)	M	
<p>Close this previously opened device.</p> <p>Restore the device (which has been previously opened) to its “not-in-use” state. Typical behavior is to turn off the device, unmap it, and deallocate any resources that were allocated by open.</p> <p>Any standard package that has an open method shall also have a close method.</p> <p>NOTE—When closing an instance chain, a particular instance’s close method is executed before its parent instances are closed, so the parent’s methods can still be used during the execution of close.</p>			

close-dev	(<i>ihandle</i> --)		
Close device and all of its parents.			
close-package	(<i>ihandle</i> --)	F	0x206
Close the specified package instance.			
Close the instance identified by <i>ihandle</i> by calling the package's close method and then destroying the instance.			
code	(E: ... -- ???) ("new-name<>" -- code-sys)	A	
Begin creation of machine-code command called <i>new-name</i> .			
Interpret commands which follow as assembler mnemonics.			
Note that if the assembler is not installed, code is still present, except that machine-code must be entered into the dictionary explicitly by value, i.e., with c , w , l , and r .			
The machine-code command is terminated by the c ; or end-code commands.			
Used as:			
ok code new-name			
ok (assembler mnemonics)			
ok c;			
Later used as:			
new-name (execute machine-code)			
<i>code-sys</i> is balanced by the corresponding c ; or end-code .			
column#	(-- column#)	F	0x153
value , return the current cursor column number.			
Return the current horizontal position of the text cursor.			
NOTE —A value of zero represents the leftmost cursor position of the <i>text window</i> , not the leftmost pixel of the frame-buffer.			
See: window-left for more details.			
#columns	(-- columns)	F	0x151
value , return number of columns of text in <i>text window</i> .			
#columns is a value that is part of the display device interface. The <i>terminal emulator</i> package uses it to determine the width (number of character columns) of the text region that it manages. The “ fb1 ” and “ fb8 ” frame-buffer support packages also use it for a similar purpose.			
Any standard package that uses the terminal emulator package shall, during the execution of its “ open ” method (see is-install), set this value to the desired width of the text region (perhaps, but not necessarily, by executing fb1-install or fb8-install).			
See also: to , fb8-install .			
comp	(<i>addr1</i> <i>addr2</i> <i>len</i> -- <i>n</i>)	F	0x7A
Compare two strings of length <i>len</i> .			
Compare the string specified by <i>addr1</i> and <i>len</i> to the string specified by <i>addr2</i> and <i>len</i> . The strings are compared, beginning at the given addresses, character by character up to the length <i>len</i> , or until a difference is found. If the two strings are identical, then <i>n</i> is zero. Otherwise, <i>n</i> is negative one if the first unmatched character in the string beginning at <i>addr1</i> has a lesser numeric value than the corresponding character in the string beginning at <i>addr2</i> , whereas <i>n</i> is one if the first unmatched character in the string beginning at <i>addr1</i> has a greater numeric value than the corresponding character in the string beginning at <i>addr2</i> .			

“compatible”

S

Standard *property name* to define alternate “**name**” property values.

prop-encoded-array:

The concatenation, with **encode+**, of an arbitrary number of text strings, each encoded with **encode-string**.

Specifies a list of devices with which this device is compatible. This is used by a client program when it is trying to determine the appropriate driver for this device, in case the client program has no driver matching the value of the “**name**” property.

The text strings of which this property value is composed follow the same conventions and limitations as the value of the “**name**” property.

A client program, when searching for an operating system driver for the device represented by a device node containing this property, should do the following:

First look for a driver matching this device’s “**name**” property.

If no match is found, look for a driver matching the first text string in the “**compatible**” property. Failing that, try the second text string, and so on.

Used as:

```
" XYZCO,dev-name" encode-string
" ABCCO,my-dev" encode-string encode+
" RST,dev21-type4" encode-string encode+
" compatible" property
```

NOTE—The “compatibility” of a client program’s device driver with a specific piece of hardware is ultimately determined by the manufacturers of the client program software and the hardware device, *not* by Open Firmware. When an FCode program “registers” a “**compatible**” property with Open Firmware, the manufacturer of that hardware is sending a “hint” to client program software saying that this specific piece of hardware is either substantially similar to or identical with the hardware device(s) named by the “**compatible**” property. This might be done to help the client program software choose a device driver when it would not recognize the contents of the “**name**” property as a supported device, but would recognize an alternate “**name**” within the “**compatible**” property.

compile

(--)

C

Compile following command at run time.

Used within a colon definition. When the colon definition is later executed, append the execution semantics that immediately follow those of **compile** within the definition that contains **compile** to the current definition.

compile,

(xt --)

A,F

0xDD

Compile the behavior of the word given by *xt*.

[compile]

([old-name<>] --)

A,C

Compile the immediately following command.

constant

(E: -- x)

A,T

(x "new-name<>" --)

Create a named constant. *new-name* returns value *x*.

Tokenizer equivalent: `new-token|named-token|external-token b(constant)`

ANS Forth/tokenizer difference: In FCode source, **constant** cannot appear inside a colon definition.

2constant

(E: -- x1 x2)

A

(x1 x2 "new-name<>" --)

Create a named two-number constant.

control	([text<>] -- char)	T	
Generate control-code for the immediately following character.			
Generate control-codes by calculating the ASCII code for the following character and setting all but the lower five bits to zero. For example, either of control B or control b will leave the value 0x02 on the stack.			
Interpretation:	([text<>] -- char)		
Skip leading space delimiters. Parse <i>text</i> delimited by a space. Put the integer value of the least significant 5 bits of the first character of <i>text</i> on the stack.			
Compilation:	([text<>] --)		
Skip leading space delimiters. Parse <i>text</i> delimited by a space. Append the run-time semantics given below to the current definition.			
Run-time:	(-- char)		
Place <i>char</i> , the integer value of the least significant 5 bits of first character of <i>text</i> , on the stack.			
Used as: control Boo (0x02)			
Tokenizer equivalent: b(lit) 00 00 00 xx-byte			
count	(pstr -- str len)	A,F	0x84
Unpack a counted string to a text string.			
cpeek	(addr -- false byte true)	F	0x220
Attempt to fetch the byte at <i>addr</i> .			
Return the data and true if the access was successful. A false return indicates that a read access error occurred.			
cpoke	(byte addr -- okay?)	F	0x223
Attempt to store the byte to <i>addr</i> .			
Return true if the access was successful. A false return indicates that a write access error occurred.			
cr	(--)	A,F	0x92
Subsequent output goes to the next line.			
Terminate a line on the display and move the cursor to the beginning of the next line. The actual control codes issued are implementation-dependent.			
(cr	(--)	F	0x91
Output the carriage-return character, or carret (0x0D).			
NOTE —The most common use for (cr is for reporting the progress of a test that has many steps. By using (cr instead of cr , the progress report appears on a single line instead of scrolling.			
create	(E: -- a-addr) ("new-name<>" --)	A,T	
Create a new command; behavior set by further commands.			
NOTE —Since FCode has no function that is equivalent to ANS Forth's does> , create cannot be used in conjunction with does> in FCode source. However, it is still useful for arrays of initialized data, in which case it is typically followed by sequences of functions like c , , w , , and , , taking care to ensure proper address alignment.			
Tokenizer equivalent: new-token named-token external-token b(create)			
ANS Forth/tokenizer difference: In FCode source, create cannot appear inside a colon definition.			
\$create	(E: -- a-addr) (name-str name-len --)		
Call create , new name specified by <i>name string</i> .			

ctrace	(--)		
Display saved call stack, showing subroutines calls and arguments.			
Display the subroutine call stack that was in effect when the program state was saved (i.e., when the program was suspended). The format of the display is implementation-dependent.			
d#	([number<>] -- n)		T
Interpret the following number as a decimal number (base ten).			
Interpretation:	([number<>] -- n)		
Skip leading space delimiters. Parse <i>number</i> delimited by a space. Convert the string <i>number</i> to an integer <i>n</i> using a conversion radix of ten. Put <i>n</i> on the stack. An ambiguous condition exists if the conversion fails.			
Compilation:	([number<>] --)		
Skip leading space delimiters. Parse <i>number</i> delimited by a space. Convert the string <i>number</i> to an integer <i>n</i> using a conversion radix of ten. Append the run-time semantics given below to the current definition. An ambiguous condition exists if the conversion fails.			
Run-time:	(-- n)		
Place <i>n</i> on the stack.			
The number is interpreted in decimal regardless of the current value in base . The value of base is unchanged.			
Used as: d# 1001 (1001)			
Tokenizer equivalent: b(lit) xx-byte xx-byte xx-byte xx-byte			
d+	(d1 d2 -- d.sum)	A,F	0xD8
Add <i>d1</i> to <i>d2</i> giving double-number <i>d.sum</i> .			
d-	(d1 d2 -- d.diff)	A,F	0xD9
Subtract <i>d2</i> from <i>d1</i> giving double-number <i>d.diff</i> .			
.d	(n --)		T
Display a signed number (and space) in decimal.			
Ignore the value in base and leave it unchanged. Also display a single trailing space.			
Tokenizer equivalent: base @ swap 10 base ! . base !			
“deblocker”			S
Support package; handles byte I/O for block-oriented devices.			
See: 3.8.3.			
debug	("old-name<>" --)		
Mark the command <i>old-name</i> for debugging.			
Used as: ok debug old-name			
Subsequent attempts to execute that command enter the Forth source-level debugger. A standard system that implements this feature may allow several commands to be marked for debugging simultaneously, but only one is required.			
During the execution of a debugged command, before the execution of each command called by the debugged command, display the contents of the stack followed by the name of the command that is about to be executed.			
Debugging occurs in either “step mode” or “trace mode”, controlled by the stepping and tracing commands. “Step mode” allows the user to control the progress of execution, whereas “trace mode” causes execution to continue automatically (but with calling information displayed).			
NOTE —Debug mode can be turned off with the debug-off command.			
NOTE —The system does not necessarily operate at full speed when one or more commands are marked for debugging.			
Debugging basic Forth commands (which could have been used in the implementation of debug) is not recommended. The system may ignore requests to debug words that are “unsafe” to debug.			

- (debug** (xt --)
Mark the command indicated by *xt* for debugging.
See: **debug** for more information.
- debug-off** (--)
Turn off the Forth source-level debugger.
- decimal** (--) A,T
Set numeric conversion radix to ten.
Tokenizer: If **decimal** is encountered in FCode source outside a definition, set the tokenizer's numeric conversion radix to ten. If **decimal** is encountered in FCode source inside a definition, append the following sequence to the FCode program that is being created.
Tokenizer equivalent: 10 base !
ANS Forth/tokenizer difference: ANS Forth has no separate "tokenizing" behavior.
- decode-bytes** (prop-addr1 prop-len1 data-len -- prop-addr2 prop-len2 data-addr data-len)T
Decode a byte array from a *prop-encoded-array*.
Return the remainder of the array *prop-addr2 prop-len2* and the decoded byte array *data-addr data-len*.
Tokenizer equivalent: >r over r@ + swap r@ - rot r>
- decode-int** (prop-addr1 prop-len1 -- prop-addr2 prop-len2 n) F 0x21B
Decode a number from a *prop-encoded-array*.
Decode a quadlet number from the beginning of the array *prop-addr1 prop-len1*, return the remainder of the array *prop-addr2 prop-len2* and the decoded number *n*.
- decode-phys** (prop-addr1 prop-len1 -- prop-addr2 prop-len2 phys.lo ... phys.hi) F 0x128
Decode a unit address from a *prop-encoded-array*.
The *unit address* is a list of cells denoting a physical address, encoded as defined in **encode-phys**. **decode-phys** decodes that list from the beginning of the *prop-encoded array* denoted by *prop-addr1 prop-len1*, returning the remainder of the array *prop-addr2 prop-len2* and the list of address components *phys.lo ... phys.hi*.
The number of cells in the list *phys.lo ... phys.hi* is determined by the value of the **#address-cells** property of the parent node.
- decode-string** (prop-addr1 prop-len1 -- prop-addr2 prop-len2 str len) F 0x21C
Decode a string from a *prop-encoded-array*.
Decode a (null-terminated) string from the beginning of the array *prop-addr1 prop-len1*, return the remainder of the array *prop-addr2 prop-len2* and the decoded string *str len*. *len* reflects the length of the decoded string not including the null terminator.
- decode-unit** (addr len -- phys.lo ... phys.hi) M
Convert text unit-string to physical address.
Convert *unit-string*, the text string representation, to *phys.lo ... phys.hi*, the numerical representation of a physical address within the address space defined by this device node. The number of cells in the list *phys.lo ... phys.hi* is determined by the value of the **#address-cells** property of this node.
decode-unit is a static method.
Used as: " 3,4000" decode-unit (ff004000 d4000003)
- default-font** (-- addr width height advance min-char #glyphs) F 0x16A
Return the font parameters for the default system font.
Used as: default-font (...) set-font
See also: **set-font**

defer	(E: ... -- ???) ("new-name<>" --)	T	
<p>Create a command with alterable behavior; alter with to.</p> <p>Skip leading space delimiters. Parse <i>new-name</i> delimited by a space. Create a definition for <i>new-name</i> with the execution semantics defined below, initially associating with it a definition that displays a message indicating execution of an uninitialized defer word.</p> <p>The definition associated with new-name can be changed later by placing the execution token of the new definition on the stack and executing the phrase to new-name.</p> <p><i>new-name</i> is referred to as a defer word.</p> <p>Used as: ok defer new-name (create new command)</p> <p>Execution: (of <i>new-name</i>) (... -- ???)</p> <p>Execute the definition currently associated with <i>new-name</i>.</p> <p>Later used as:</p> <pre>['] old-name to new-name (load with old command) new-name (execute new command, behavior is old command)</pre> <p>In FCode source, defer cannot appear inside a colon definition.</p> <p>Tokenizer equivalent: new-token named-token external-token b(defer)</p>			
delete-characters	(n --)	F	0x15E
<p>defer, delete <i>n</i> characters to the right of the cursor.</p> <p>delete-characters is one of the defer words of the display device interface. The terminal emulator package executes delete-characters when it has processed a character sequence that requires the deletion of characters to the right of the cursor.</p> <p>Any standard package that uses the terminal emulator package shall, as part of the process of opening the terminal emulator package, set this defer word to a function with the following behavior:</p> <p>Move the remainder of the line to the left to fill the deleted positions and erase the <i>n</i> rightmost columns in the line without moving the cursor.</p> <p>See also: to, fb8-install</p>			
delete-lines	(n --)	F	0x160
<p>defer, delete <i>n</i> lines at and below the cursor line.</p> <p>delete-lines is one of the defer words of the display device interface. The terminal emulator package executes delete-lines when it has processed a character sequence that requires the deletion of lines of text below the line containing the cursor.</p> <p>Any standard package that uses the terminal emulator package shall, as part of the process of opening the terminal emulator package, set this defer word to a function with the following behavior:</p> <p>Move the following lines up to fill the deleted portions and erase the <i>n</i> lines at the bottom without moving the cursor.</p> <p>See also: to, fb8-install</p>			
delete-property	(name-str name-len --)	F	0x21E
<p>Delete the named property in the <i>active package</i>.</p> <p>If the named property does not exist in the <i>active package</i>, take no action.</p>			
depth	(-- u)	A,F	0x51
<p>Return count of items on the stack.</p>			
dev	("device-specifier<eol>" --)		
<p>Make the specified device node the <i>active package</i>.</p> <p>Parse <i>device-specifier</i> delimited by end of line. Perform the equivalent of find-device with <i>device-specifier</i> as its argument.</p> <p>Used as: ok dev device-specifier <eol></p>			

- devalias** ("{alias-name}<>{device-path}<eol>" --)
Create device alias or display current alias(es).
If *alias-name* and *device-path* are specified, create a device alias named *alias-name* representing *device-path*.
If an alias with the same name already exists, the new value supersedes the old.
Used as: ok devalias alias-name /full/pathname
If only *alias-name* is specified, display the device-path corresponding to *alias-name* (if this alias exists). If nothing is specified after **devalias**, display all current existing device aliases.
- device-end** (--)
Unselect the *active package*, leaving none selected.
- device-name** (str len --) F 0x201
Create the “**name**” property, value is indicated string.
Shorthand command to create a property in the *active package* whose *property name* is “**name**”.
Equivalent to: encode-string " name" property
Used as: " XYZCO,my-dev-name" device-name
- device-type** (str len --) F 0x11A
Create “**device_type**” property, value is indicated string.
Shorthand command to create a property in the *active package* whose *property name* is “**device_type**”.
Equivalent to: encode-string " device_type" property
Used as: " block" device-type
See: “**device_type**” glossary entry for more information.
NOTE—There is a spelling difference between the name of the property (“**device_type**”) and the name of the command that can be called to create it (“**device-type**”).
- “**device_type**” S
Standard *property name* to specify the implemented interface.
prop-encoded-array:
Text string encoded with **encode-string**.
Specifies the “device type” of this package, thus implying a specific set of package class methods implemented by this package.
See: 3.4.5 for more information and for a list of supported string values for this property and their meanings.
NOTE—This property can be created with **property** or with **device-type**. Note the spelling difference between the property name (“**device_type**”) and the command name “**device-type**”. This is an historical accident. The property name should have been “**device-type**” for consistency with the naming conventions generally used herein, but changing the property name would have resulted in compatibility problems for little payback.
This standard defines the following *device types*: “**block**” “**byte**” “**display**” “**network**” “**serial**”.
Used as: " network" encode-string " device_type" property
- diag-device** (-- dev-str dev-len) N
Default *device-name* for **boot**, if **diagnostic-mode?** is **true**.
dev-string is a *device-specifier* or a list of *device-specifiers*, as described in **load**.
Configuration variable type: *string[32]*. Suggested default value: **net**.
- diag-file** (-- arg-str arg-len) N
Default *arguments* for **boot**, if **diagnostic-mode?** is **true**.
Configuration variable type: *string[32]*. Suggested default value: **diag**.

- diagnostic-mode?** (-- diag?) F 0x120
If **true**, boot from diag sources and perform longer self-tests.
- diagnostic-mode?** controls several aspects of machine function, described next.
- During booting, **diagnostic-mode?** controls the choice of boot device and boot file, if not specified in the **boot** command. If **diagnostic-mode?** is **true**, the default boot device is specified by **diag-device** and the default boot file is specified by **diag-file**. If **diagnostic-mode?** is **false**, the default boot device is specified by **boot-device** and the default boot file is specified by **boot-file**.
- During machine power-on, **diagnostic-mode?** controls the extent of system self-test and controls the amount of informative messages displayed. If **diagnostic-mode?** is **true**, more extensive tests are performed and more messages are displayed. The details of self-test, however, are implementation-dependent.
- FCode programs can use **diagnostic-mode?** to control the extent of the self-tests performed. While the specifics of use are controlled by the FCode program itself, the recommended use is described in the preceding paragraph. In other words, if **diagnostic-mode?** is **true**, more extensive tests are performed and more messages are displayed.
- diagnostic-mode?** will return **true** if any of the following conditions are met:
- **diag-switch?** is **true**
 - machine diagnostic switch (system-dependent) is ON
 - other system-dependent indicators request extensive diagnostics
- diag-switch?** (-- diag?) N
If **true**, **diagnostic-mode?** returns **true**.
- NOTE**—**diag-switch?** **true** implies **diagnostic-mode?** **true**, but **diag-switch?** **false** does not necessarily imply **diagnostic-mode?** **false**. Other system-dependent mechanisms can cause **diagnostic-mode?** to be **true**.
- Configuration variable type: *Boolean*. Suggested default value: **false**.
- digit** (char base -- digit true | char false) F 0xA3
Convert a character to a digit in the given *base*.
- If the character is invalid, leave the character on the stack. The flag indicates the success or failure of the operation.
- dis** (addr --)
Begin disassembling at the given address.
- The format of the disassembly, and the conditions for stopping disassembly, are ISA-dependent.
See also: 7.6.6.
- +dis** (--)
Continue disassembling where **dis** or **+dis** last stopped.
- See:** **dis** for more information.
- “disk-label”** S
Support package, interprets disk partitioning information.
- See:** 3.8.1 for more information.

“display”

S

Graphic output display device type.

Standard string value of **“device_type”** property for user output devices with randomly addressable pixels. **“display”** devices can be used for console output.

A standard package with this **“device_type”** property value shall implement the following methods.

open, close, write, draw-logo

A standard package with this **“device_type”** property value should implement the following method if an unexpected system reset can cause the display to become invisible (e.g., the video is turned off) and the display can be restored to visibility without performing memory mapping or memory allocation operations:

restore

Additional Requirements for the **write** method:

Display the sequence of *len* characters beginning at *addr*, interpreting escape sequences as described in the *terminal emulator* section.

A standard package with this **“device_type”** property value may implement additional device-specific methods.

See: 3.8.4; **character-set**.

NOTE—Such packages typically use the *terminal emulator* support package to process ANSI X3.64 escape sequences for the **write** method. “Dumb” frame-buffer devices typically use either the **“fb1”** or the **“fb8”** support package to implement the “Character Map” **defer** words interface. More complicated display devices, such as those with hardware acceleration, typically implement that interface directly.

display-status

(n --)

F,O

0x121

Show the result of a device self-test.

n is a device-dependent number indicating the status of the device or the progress of the self-test.

The method of showing the result is system-dependent, but is intended to use some device that is likely to be available at an early phase of system start-up, even if much of the system is not operational. For example, diagnostic LEDs are often used.

d1

(--)

Download and execute Forth text; end with ^D.

Receive text from the current input source and store it in a buffer until an EOT (0x04, or control-D) character is received. Do not store the EOT character. Evaluate the contents of the buffer as with the **eval** command. The buffer size shall be at least 4096 characters.

NOTE—This is typically used with a serial line as the current input source. After issuing the **d1** command, the user typically issues commands to another computer to cause the desired Forth text (such as a text file) to be sent over the serial line, followed by the EOT (0x04, or control-D) character.

dma-alloc

(... size -- virt)

M

Allocate a memory region for later use.

Allocate *size* bytes of memory, contiguous within the direct-memory-access address space of the device bus, suitable for direct memory access by a “bus master” device. Return the virtual address *virt*. That virtual address is suitable for CPU access to the allocated region, but, in general, **dma-map-in** must be used to convert it to an address suitable for direct memory access by the bus-master device.

Allocate the memory according to the most stringent alignment requirements for the bus.

Some hierarchical devices may require additional mapping space parameters.

See also: **dma-map-in, dma-free**

If the requested operation cannot be performed, a **throw** shall be called with an appropriate error message, as with **abort**.

NOTE—Out-of-memory conditions may be detected and handled properly in the code with ['] **dma-alloc catch**.

dma-free

(virt size --)

M

Free memory allocated with **dma-alloc**.

Free *size* bytes of memory at virtual address *virt*, previously allocated by the **dma-alloc** method.

- dma-map-in** (... virt size cacheable? -- devaddr) M
Convert virtual address to device bus DMA address.
- Convert the virtual address range *virt size*, previously allocated by the **dma-alloc** method, into an address suitable for DMA on the device bus. Return this address *devaddr*.
- dma-map-in** can also be used to map application-supplied data buffers for DMA use, if possible on the bus.
- If the flag *cacheable?*, is nonzero, the caller wishes to make use of caches for the DMA buffer if they are available.
- Immediately after **dma-map-in** has been executed, the contents of the address range as seen by the processor (the processor's "view") is the same as the contents as seen by the device that performs the DMA (the device's "view"). After the DMA device has performed DMA or the processor has performed a write to the range in question, the contents of the address range as seen by the processor (the processor's "view") is not necessarily the same as the contents as seen by the device that performs the DMA (the device's "view"). The two views can be made consistent by executing **dma-map-out** or **dma-sync**.
- Some hierarchical devices may require additional mapping space parameters.
- If the requested operation cannot be performed, a **throw** shall be called with an appropriate error message, as with **abort**".
- NOTE**—Out-of-memory conditions may be detected and handled properly in the code with ['] **dma-map-in catch**.
- dma-map-out** (virt devaddr size --) M
Free DMA mapping set up with **dma-map-in**.
- Free the DMA mapping specified by *virt devaddr size*, previously created with the **dma-map-in** method. This will also have the effect of flushing all caches (with **dma-sync**) associated with that mapping.
- dma-sync** (virt devaddr size --) M
Synchronize (flush) DMA memory caches.
- Flush any memory caches associated with the DMA mapping *virt devaddr size*.
- do** (C: -- dodest-sys) A,T
(limit start --) (R: -- sys)
Start a counted loop; beginning index value is *start*.
- Interpretation:** (C: -- dodest-sys)
Enter compilation state, initiating a temporary current definition in a region of memory other than the data space. Then perform the compilation semantics of ANS Forth **DO**.
- Compilation:** (C: -- dodest-sys)
Same as ANS Forth.
- Run-time:** (limit start --) (R: -- sys)
Same as ANS Forth.
- Tokenizer equivalent:** `b(do) +offset`
- ANS Forth note:** Also works outside of a definition.
- ?do** (C: -- dodest-sys) A,T
(limit start --) (R: -- sys)
Similar to **do**, but do not execute loop if *limit = start*.
- Interpretation:** (C: -- dodest-sys)
Enter compilation state, initiating a temporary current definition in a region of memory other than the data space. Then perform the compilation semantics of ANS Forth **?DO**.
- Compilation:** (C: -- dodest-sys)
Same as ANS Forth.
- Run-time:** (limit start --) (R: -- sys)
Same as ANS Forth.
- Tokenizer equivalent:** `b(?do) +offset`
- ANS Forth note:** Also works outside of a definition.

does>	(C: colon-sys1 -- colon-sys2) (--) (R: sys1 --) (... -- ... a-addr) (R: -- sys2) (E: ... -- ???)	A	
Set run-time behavior of a create . . . does> construct.			
draw-character	(char --)	F	0x157
defer ; draw a character at the current cursor position.			
draw-character is one of the defer words of the display device interface. The terminal emulator package executes draw-character when it has processed a character sequence that calls for the display of a printable character (subsequently, the terminal package advances the cursor to the next character position).			
Any standard package that uses the terminal emulator package shall, as part of the process of opening the terminal emulator package, set this defer word to a function with the following behavior:			
Draw <i>char</i> on the display device at the cursor position. Other character positions on the line are unaffected.			
See also: to , fb8-install			
draw-logo (FCode function)	(line# addr width height --)	F	0x161
defer ; draw (at <i>line#</i>) the logo stored at location <i>addr</i> .			
draw-logo is one of the defer words of the display device interface. is-install creates a “ draw-logo ” method whose behavior is to execute the draw-logo defer word. banner executes the “ draw-logo ” method of the console output device, if that device has such a method.			
Any standard package that uses the terminal emulator package shall, as part of the process of opening the terminal emulator package, set this defer word to a function with the following behavior:			
Draw a logo whose upper-left corner coincides with the upper-left corner of the character position at the beginning of text line <i>line#</i> . The logo can be either a device specific logo or the one-bit-per-pixel logo bit-map image specified by <i>addr</i> , <i>width</i> , and <i>height</i> . The format of that bit-map is as follows:			
<i>addr</i> is the starting address of the bit-map. <i>width</i> and <i>height</i> are its dimensions in pixels. Each bit of the bit-map corresponds to one pixel. The most significant bit of the first byte controls the upper-left-corner pixel. The next bit controls the next pixel to the right and so on. A zero bit represents the background color, and a one bit represents the foreground color.			
See also: to , fb8-install			
draw-logo (package method)	(line# addr width height --)	M	
Draw a logo on an output device.			
The arguments and semantics of this method are identical to those of the draw-logo FCode function.			
NOTE — is-install automatically creates an implementation of this method that executes the draw-logo defer word.			
See also: “ display ”, banner , draw-logo (FCode function)			
driver	(addr len --)	F,O	0x118
Creates the “ name ” property.			
Removes the manufacturer name prefix from the string <i>addr len</i> , then creates the “ name ” property from the remainder of the string. Previous versions of SBus firmware have implemented the process of removing the manufacturer name prefix in inconsistent ways, thus there is no single definition of driver that will ensure backwards compatibility in all cases.			
NOTE —SBus [B2] developers were advised to avoid the use of this FCode function when the inconsistency was discovered, and the committee believes that its use has largely been eliminated.			
drop	(x --)	A,F	0x46
Remove top item from the stack.			
2drop	(x1 x2 --)	A,F	0x52
Remove top two items from the stack.			

3drop	(x1 x2 x3 --)	T	
Remove top three items from the stack.			
Tokenizer equivalent: drop 2drop			
dump	(addr len --)	A	
Display <i>len</i> bytes of memory starting at <i>addr</i> .			
dup	(x -- x x)	A,F	0x47
Duplicate the top item on the stack.			
2dup	(x1 x2 -- x1 x2 x1 x2)	A,F	0x53
Duplicate the top two items on the stack.			
3dup	(x1 x2 x3 -- x1 x2 x3 x1 x2 x3)	T	
Duplicate three stack items.			
Tokenizer equivalent: 2 pick 2 pick 2 pick			
?dup	(x -- 0 x x)	A,F	0x50
Duplicate top stack item if it is nonzero.			
else	(C: orig-sys1 -- orig-sys2) (--)	A,T	
When if flag was false , execute following code.			
Tokenizer equivalent: bbranch +offset b(>resolve)			
ANS Forth note: Also works outside of a definition.			
emit	(char --)	A,F	0x8F
Display the given character.			
encode+	(prop-addr1 prop-len1 prop-addr2 prop-len2 -- prop-addr3 prop-len3)	F	0x112
Concatenate two <i>prop-encoded-arrays</i> into a single array.			
The <i>property encoding</i> of the result is the first array immediately followed by the second array. Consequently, <i>prop-len3</i> is equal to <i>prop-len1</i> plus <i>prop-len2</i> .			
Usage restriction: The first array <i>prop-addr1 prop-len1</i> must have been created just before the second array <i>prop-addr2 prop-len2</i> , with no intervening dictionary allocation or other <i>prop-encoded-arrays</i> having been created.			
In a typical implementation, <i>prop-addr3</i> is the same as <i>prop-addr1</i> .			
Used as:			
<pre>" some-text" encode-string (prop-addr1 len1) 5000 encode-int (prop-addr1 len1 prop-addr2 len2) encode+ (prop-addr len1+2)</pre>			
encode-bytes	(data-addr data-len -- prop-addr prop-len)	F	0x115
Encode a byte array into a <i>prop-encoded-array</i> .			
The <i>property encoding</i> of a byte array is the sequence of bytes itself, with no additional bytes.			
Contrast to encode-string , which appends a null byte to the end.			
NOTE —In order to decode the encoded byte array, some additional method must be provided to know the length of the array. This could be by previous agreement or by encoding the length value first.			
Used as: (data-addr data-len) encode-bytes (prop-addr prop-len)			

encode-int (n -- prop-addr prop-len) F 0x111

Encode a number into a *prop-encoded-array*.

The *property encoding* of a (quadlet) number is a sequence of 4 bytes, with the most significant byte first (i.e., at the smallest address).

No alignment is implied; the sequence of 4 bytes begins at the first available location.

Used as: 5000 encode-int (prop-addr prop-len)

encode-phys (phys.lo ... phys.hi -- prop-addr prop-len) F 0x113

Encode a *unit address* into a *prop-encoded-array*.

The *property encoding* of the *unit address* (a list of cells denoting a physical address) is the *property encoding* (as with **encode-int**) of *phys.hi* component, followed by the encoding of the component that appears on the stack below *phys.hi*, and so on, ending with the encoding of the *phys.lo* component.

The number of cells in the list *phys.lo ... phys.hi* is determined by the value of the **#address-cells** property of the parent node.

Used as: (phys.lo ... phys.hi) encode-phys (prop-addr prop-len)

encode-string (str len -- prop-addr prop-len) F 0x114

Encode a string into a *prop-encoded-array*.

The property encoding of a string is the bytes of the string, followed by a null (binary 0) byte. The length identified by *prop-len* includes the null byte; thus *prop-len* is one more than *len*.

Contrast to **encode-bytes**, which does not append a null byte.

Used as: " some-text " encode-string (prop-addr prop-len)

encode-unit (phys.lo ... phys.hi -- unit-str unit-len) M

Convert physical address to text *unit-string*.

Convert *phys.lo ... phys-high*, the numerical representation, to *unit-string*, the text string representation of a physical address within the address space defined by this device node. The number of cells in the list *phys.lo ... phys.hi* is determined by the value of the **#address-cells** property of this node.

encode-unit is a static method.

end0 (user interface) (--)

Cease interpreting this program.

Interpretation: (--)

Perform the execution semantics given below.

Compilation: (--)

Perform the execution semantics given below.

Execution: (--)

Cause the command interpreter to ignore the remainder of the input buffer and all subsequent lines from the same input source.

NOTE—The optional user interface semantics of this command duplicate the purpose, but not the detailed behavior, of the FCode semantics. The detailed behavior differs because the user interface command interpreter processes text, while the FCode evaluator processes byte-encoded FCode programs.

end0 (FCode function)	(--)	F	0x00
Cease interpreting this program.			
FCode evaluation:	(F: --)		
Set the internal state variable <i>fcode-end</i> to true, which will cause the FCode evaluator to cease evaluating the current FCode program immediately after this function is interpreted.			
FCode Execution:	(--)		
Set the internal state variable <i>fcode-end</i> to true, which will cause the FCode evaluator to cease evaluating the current FCode program after the FCode function whose evaluation resulted in the execution of this function finishes.			
NOTE —Normally, end0 appears at the end of an FCode program. However, it can be used within the body of an FCode program, for example, to terminate FCode evaluation based upon a conditional test. To do so, it is necessary to postpone the execution of end0 to prevent the FCode evaluator from exiting as soon as end0 is encountered. That can be accomplished with the phrase ['] end0 execute , usually within an if ... then construct.			
end1	(--)	F	0xFF
Cease interpreting this program.			
Same as end0 .			
NOTE — end1 is not intended to appear in source code. It is defined as a guard against mis-programmed ROMs. Unprogrammed regions of ROM usually appear as all ones or all zeroes. Having both 0x00 and 0xff defined as end codes stops the FCode interpreter if it enters an unprogrammed region of a ROM.			
endcase	(C: case-sys --) (sel <nothing> --)	A,T	
Mark end of a case statement.			
Compilation:	(C: case-sys --)		
Perform the compilation semantics of ANS Forth ENDCASE . Then, if the current definition is temporary and the depth of the control flow stack is the same as its depth when the temporary current definition was initiated, perform the compilation semantics of ; and execute the temporary current definition.			
Run-time:	(sel <nothing> --)		
Same as ANS Forth.			
Tokenizer equivalent: b(endcase)			
ANS Forth note: Also works outside of a definition.			
end-code	(code-sys --)		
End creation of machine-code sequence.			
No additional assembly language code is assembled.			
<i>code-sys</i> is balanced by the corresponding code or label .			
endof	(C: case-sys1 of-sys -- case-sys2) (--)	A,T	
Mark end of clause; jump to end of case if match.			
Tokenizer equivalent: b(endof) +offset			
ANS Forth note: Also works outside of a definition.			
end-package	(--)		
Close the device tree entry set up with begin-package .			
Perform the following:			
Call finish-device to close the child device node.			
Set the working vocabulary to Forth.			
Call close-dev .			
environment?	(str len -- false value true)	A	
Return system information based on input keyword.			
The exact set of recognized keyword strings is implementation-dependent.			

erase	(addr len --)	A,T	
Set <i>len</i> bytes beginning at <i>addr</i> to zero.			
Tokenizer equivalent: 0 fill			
erase-screen	(--)	F	0x15A
defer , clear the screen.			
erase-screen is one of the defer words of the display device interface. The terminal emulator package executes erase-screen when the console device is first activated, and also when it has processed a character sequence that calls for the screen to be cleared.			
Any standard package that uses the terminal emulator package shall, as part of the process of opening the terminal emulator package, set this defer word to a function with the following behavior:			
Clear the entire screen (not just the <i>text window</i>), setting it to the background color.			
See also: to , fb8-install			
eval	(... str len -- ???)	T	
Synonym for evaluate .			
Tokenizer equivalent: evaluate			
evaluate	(... str len -- ???)	A,F	0xCD
Interpret Forth text from the given string.			
even	(n -- n n+1)		
Round to nearest even integer <i>_n</i> .			
execute	(... xt -- ???)	A,F	0x1D
Execute the command whose execution token is <i>xt</i> .			
execute-device-method (... dev-str dev-len method-str method-len -- ... false ??? true)			
Execute the named method in the package named <i>dev-string</i> .			
<i>dev-string</i> is a <i>device-specifier</i> . Returns false if the method could not be executed (i.e., the <i>device-specifier</i> is invalid, or that device has no method with the given name, or execution of that method resulted in an abort or throw).			
Otherwise, returns true above whatever results were placed on the stack by the execution of the method			
The process is as defined in 4.3, using the rules given for execute-device-method .			
See also: apply			
“existing”		S	
MMU package <i>property name</i> to define <i>existing</i> virtual address resources.			
<i>prop-encoded-array</i> :			
Arbitrary number of <i>virtual-address</i> , <i>len</i> pairs. <i>Virtual-address</i> may be one or more integers, each encoded as with encode-int . <i>Len</i> may be one or more integers encoded as with encode-int .			
The value of this property defines the regions of virtual address space managed by the MMU in whose package this property is defined, without regard to whether or not these regions are currently in use. The encodings of <i>virtual-address</i> and <i>len</i> are MMU-specific.			
See also: “available” , map , modify , “reg” , translate , unmap			
exit	(--) (R: sys --)	A,F	0x33
Exit from the currently executing command.			

exit?	(-- done?)		
Return true when output should be terminated.			
Handle output pagination and user control thereof. Return true if the user has requested the cessation of output from the current command.			
exit? is used inside loops that might send many lines of output to the console. It is typically called once for each line of output.			
The precise behavior is implementation-dependent; a suggested behavior follows:			
If the value contained in the #line variable is greater than a predetermined value (typically returned by a word named lines/page) prompt the user with the message:			
More [<space>, <cr>, q] ?			
and wait for a character to be typed on the console. If that character is “q”, return true . If that character is “<cr>” (carriage return), arrange for the next call to exit? to prompt the user, and return false . If the character is neither “q” nor “<cr>”, set the contents of #line to zero and return false .			
If a “q” character has been typed on the console input device since the last time that exit? was called return true .			
If any other character has been typed, prompt for what to do next, as shown above, and return false .			
The typical behavior described above has the following features (assuming that output-generating commands call exit? once per line of output):			
— Output pauses at the end of each page of output, allowing the user to either stop further output (“q”), get one more line output before pausing again (“<cr>”), or continue with the next page of output (“<space>”).			
— The user can stop further output at any time by typing “q”.			
— The user can cause a pause before the end of a page by typing a character other than “q”.			
expect	(addr len --)	A,F	0x8A
Get and display input keyboard line, storing it at <i>addr</i> .			
external	(--)	T	
Newly created functions will be visible.			
Arrange for subsequently created definitions to have permanent names that persist after the <i>active package</i> is finished, so that those definitions will be visible package methods. In implementations that lack the ability to make temporary names, this may be a no-operation.			
The mode established by external persists until changed by headers or headerless .			
Tokenizer: Arrange for subsequently created FCode functions to use external-token , so that those functions will be visible package methods.			
external-token	(--) (F: /FCode-string FCode#/ --)	F	0xCA
Create a new named FCode function.			
FCode evaluation:	(F: /FCode-string FCode#/ --)		
Read an <i>FCode-string</i> , then an <i>FCode#</i> , from the current FCode program. Create a new FCode function, associating with it the FCode number <i>FCode#</i> . The new function’s execution semantics are initially undefined; they will be determined later by the execution of either b(:) , b(create) , b(defer) , b(constant) , b(buffer:) , b(field) , b(variable) , or b(value) .			
Associate the new function with the name given by <i>FCode-string</i> , thus making it a method of the current node. The new method can later be executed with, for example, \$call-method .			
FCODE ONLY (Tokenized by defining words in external mode)			
false	(-- false)	A,T	
Return the value false (zero).			
Tokenizer equivalent: 0			

fb8-blink-screen	(--)	F	0x184
Implement the “fb8” blink-screen function.			
Typically implemented as: fb8-invert-screen fb8-invert-screen			
NOTE —Typical generic implementations of this function are likely to be quite slow, since they probably will access each pixel on the screen four times. For most devices, there is a device-specific implementation for the blink-screen function that is much faster, for example, disabling video output for about 20 ms. It is recommended that such device-specific implementations be used instead of the generic fb8-blink-screen function.			
fb8-delete-characters	(n --)	F	0x187
Implement the “fb8” delete-characters function.			
fb8-delete-lines	(n --)	F	0x189
Implement the “fb8” delete-lines function.			
fb8-draw-character	(char --)	F	0x180
Implement the “fb8” draw-character function.			
fb8-draw-logo	(line# addr width height --)	F	0x18A
Implement the “fb8” draw-logo function.			
The logo is painted with a pixel value of 0x01.			
fb8-erase-screen	(--)	F	0x183
Implement the “fb8” erase-screen function.			
fb8-insert-characters	(n --)	F	0x186
Implement the “fb8” insert-characters function.			
fb8-insert-lines	(n --)	F	0x188
Implement the “fb8” insert-lines function.			
fb8-install	(width height #columns #lines --)	F	0x18B
Install all built-in generic 8-bit frame-buffer routines.			
Install the “fb8” generic 8-bit frame-buffer routines into the display device interface defer words, configuring the “fb8” routines for a frame-buffer <i>height</i> pixels high, with successive scan lines <i>width</i> pixels apart.			
<i>#columns</i> and <i>#lines</i> indicate the maximum number of text columns and lines that the device is capable of supporting (<i>#columns</i> and <i>#lines</i> usually depend upon the width and height of the font to be used, among other things).			
<i>width</i> is the difference between the starting memory addresses of two consecutive scan lines in the frame-buffer. For frame-buffers where all memory locations correspond to displayable pixels, this is the same as the width of the screen in pixels.			
<i>height</i> is the height of the display in scan lines.			
Set screen-width to the <i>width</i> argument, screen-height to the <i>height</i> argument, #columns to the minimum of <i>#columns</i> and screen-#columns , and #lines to the minimum of <i>#lines</i> and screen-#rows .			
Set window-top and window-left to center the text region on the screen (the calculation typically involves #columns , #lines , char-width , char-height , screen-width , and screen-height). The calculation assumes that <i>width</i> pixels per scan line are displayable. If some are not (for example, some number of pixels at the right of the display), it is the responsibility of the display driver to adjust window-left to locate the text region in an appropriate place after fb8-install returns.			
Usage restriction: char-width and char-height must be set before fb8-install is executed; otherwise, the centering is likely to be incorrect.			
See also: set-font			
fb8-invert-screen	(--)	F	0x185
Implement the “fb8” invert-screen function.			

fb8-reset-screen	(--)	F	0x181
Implement the “ fb8 ” reset-screen function.			
This routine is usually implemented as a no-op.			
fb8-toggle-cursor	(--)	F	0x182
Implement the “ fb8 ” toggle-cursor function.			
fcodes-debug?	(-- names?)	N	
If true , save names for FCodes with headers .			
This flag is used during the evaluation of an FCode program. If this flag is true , preserve the names of local FCodes created with named-token in the Forth dictionary. If this flag is false , discard those names fields.			
Configuration variable type: <i>Boolean</i> . Suggested default value: false .			
fcodes-revision	(-- n)	F	0x87
Return revision level of device interface.			
The human-readable representation of the revision level is a string of the form “major.minor”, where “major” and “minor” are decimal numbers. The fcodes-revision returns a single number representation whose value is given by the formula (major*65536 + minor). For example, if the release number were 2.12, the return value would be 0x0002.000C.			
The revision level of the device interface described by this standard is “3.0”, therefore fcodes-revision shall return 0x0003.0000.			
fferror	(--)	F	0xFC
Standard FCode number for undefined FCode functions.			
Set the internal state variable <i>fcodes-end</i> to true, which will cause the FCode evaluator to cease interpreting the current FCode program after the FCode function whose evaluation resulted in the execution of this function finishes. Additional semantics are implementation-dependent (typically, such additional semantics include displaying an error messages indicating that an undefined FCode number has been executed).			
In addition to this function’s assigned FCode number, undefined FCode numbers (those that are not explicitly assigned to other functions) are associated with fferror .			
NOTE — fferror ’s assigned FCode number provides a way to detect at run-time whether or not a particular FCode number is defined. This can be accomplished by comparing the execution token of the function in question with fferror ’s execution token, e.g.,			
<pre> 77 get-token drop (xt) ['] fferror = (undefined?) </pre>			
See: b(') !			
field	(E: addr -- addr+offset) (offset size "new-name<>" -- offset+size)	T	
Create new field offset specifier, named <i>new-name</i> .			
Skip leading delimiters. Parse <i>new-name</i> delimited by a space. Create a definition for <i>new-name</i> with the execution semantics defined below.			
Execution: (of <i>new-name</i>)		(E: addr -- addr+offset)	
Return the sum of <i>addr</i> and <i>offset</i> .			
field is used to create a named offset into a data structure. When a definition created by field is executed, its <i>addr</i> argument is typically the base address of the data structure.			
In FCode source, field cannot be called from within a colon definition.			
Example: The sequence:			
<pre> (24) 10 field >name (34) </pre>			
creates a command called >name with the same behavior as the following:			
<pre> : >name 24 + ; </pre>			

Used as:

Assume a data structure 18 bytes long, organized as:

```

size - bytes 0-1
flag - bytes 2
name - bytes 3-17
first - bytes 3-9
last - bytes 10-17

ok struct ( 0 )
ok 2 field >size ( 2 )
ok 1 field >flag ( 3 )
ok 0 field >name ( 3 )
ok 7 field >first ( 10 )
ok 8 field >last ( 18 )
ok constant record-size

```

Later used as:

```

ok record-size buffer: my-record
ok my-record >name ( name-addr )
ok my-record >flag ( flag-addr )

```

Tokenizer equivalent: new-token|named-token|external-token b(field)

fill (addr len byte --) A,F 0x79
Set *len* bytes beginning at *addr* to the value *byte*.

find (pstr -- xt n | pstr 0) A
Find command, return -1 (found), +1 (immediate), or 0 (not found).

\$find (name-str name-len -- xt true | name-str name-len false) F 0xCB
Find the command named *name string* in the dictionary.
If found, return **true** and *xt*. Otherwise, return **false** and leave *name string* on the stack.

Used as:

```

" old-name" $find ( xt true )
if execute else (do-error) then

```

Searches the current search order. During normal FCode evaluation, the search order consists of the vocabulary containing the visible methods of the current device node, followed by the Forth vocabulary.

find-device (dev-str dev-len --)

Make the device node *dev-string* the *active package*.

If *dev-string* is the string “. .”, set the *active package* to the parent of the currently *active package*. Otherwise, set the *active package* as described by 4.3 in **find-device** context, using *dev-string* as the *device-specifier*.

If the specified device is not found, execute **abort**.

NOTE—**find-device** is similar to **dev**, except that its argument is a string on the stack instead of text parsed from the input buffer, allowing **find-device** to be used within a definition, with a literal string argument that is compiled into the definition.

Used as: " device-alias" find-device

find-method (method-str method-len phandle -- false | xt true) F 0x207
Find the method named *method-string* in the package *phandle*.

Return **false** if the package has no such method, or *xt* and **true** if the operation succeeds. Subsequently, *xt* can be used with **call-package**.

find-package (name-str name-len -- false | phandle true) F 0x204
Locate the support package named by *name string*.

If the package can be located, return its *phandle* and **true**; otherwise, return **false**.

Interpret the name in *name string* relative to the “**packages**” device node. If there are multiple packages with the same name (within the “**packages**” node), return the *phandle* for the most recently created one.

finish-device	(--)	F	0x127
Finish this package, set <i>active package</i> to parent.			
Complete a device node that was created by new-device , as follows: If the device node has no “name” property, remove the device node from the device tree. Otherwise, save the current values of the <i>current instance</i> ’s initialized data items within the <i>active package</i> for later use in initializing the data items of instances created from that node. In any case, destroy the <i>current instance</i> , make its parent instance the <i>current instance</i> , and select the parent node of the device node just completed, making the parent node the <i>active package</i> again.			
fm/mod	(d n -- rem quot)	A	
Divide <i>d</i> by <i>n</i> .			
>font	(char -- addr)	F	0x16E
Return beginning address for <i>char</i> in the current font.			
set-font must have been previously called for this command to be valid.			
For any characters not in the font table, return a font entry for a valid, unspecified standard-width character.			
fontbytes	(-- bytes)	F	0x16F
value , return interval between entries in the font table.			
fontbytes is a value that is used by the “ fb1 ” and “ fb8 ” frame-buffer support packages. It denotes the distance in bytes between the successive scan lines of a glyph in the current font.			
Any standard package that uses one of the frame-buffer support packages shall set this value prior to executing either fb1-install or fb8-install . That is typically done by executing set-font .			
forget	("old-name< >" --)	A	
Remove command <i>old-name</i> and all subsequent definitions.			
Leave the dictionary pointer at the value which it had just before the command <i>old-name</i> was defined. If there are multiple commands in the dictionary with the name <i>old-name</i> , remove the most recent definition.			
forth	(--)	A	
Make Forth the context vocabulary.			
frame-buffer-adr	(-- addr)	F	0x162
value , return current frame-buffer virtual address.			
Must be set using to , when the frame-buffer package is opened.			
free-mem	(a-addr len --)	F	0x8C
Free memory allocated by alloc-mem .			
The values <i>a-addr</i> and <i>len</i> must be the same as used in a previous alloc-mem command.			
free-virtual	(virt size --)	F	0x105
Destroy mapping and “ address ” property.			
If the package associated with the <i>current instance</i> has an “ address ” property whose first value encodes the same address as <i>virt</i> , delete that property. In any case, then execute the parent instance’s map-out method with <i>virt size</i> as its arguments.			
.fregisters	(--)		
Display floating-point registers (if present).			
A standard system may either access the registers “in-place” or access copies of their values saved as part of the <i>saved program state</i> . The exact set of registers displayed, and the format, is ISA-dependent.			

get-inherited-property (name-str name-len -- true | prop-addr prop-len false) F 0x21D
Return value for given property in the current instance or its parents.

Locate, within the package associated with the current instance or any of its parents, the property whose *property name* matches the value *name string*. If the property exists, return the associated value as the *prop-encoded-array prop-addr prop-len* and **false**. Otherwise, return **true**.

get-msecs (-- n) F 0x125
Return elapsed time, in milliseconds.

Return a free-running clock value, unreferenced to any specific time value. It is not assumed to maintain correctness during power-down of the system.

Return the value to the best available accuracy and precision. There is no minimum specification for either accuracy or precision.

get-my-property (name-str name-len -- true | prop-addr prop-len false) F 0x21A
Return value for given property in this package.

Locate, within the package associated with the *current instance*, the property whose *property name* matches the value *name string*. If the property exists, return the associated value as the *prop-encoded-array prop-addr prop-len* and **false**. Otherwise, return **true**.

get-package-property (name-str name-len phandle -- true | prop-addr prop-len false) F 0x21F
Return value for *name string* property in package *phandle*.

Locate, within the package *phandle*, the property whose *property name* matches the value *name string*. If the property exists, return the associated value as the *prop-encoded-array prop-addr prop-len* and **false**. Otherwise, return **true**.

get-token (fcode# -- xt immediate?) F 0xDA
Convert FCode number to function execution token.

Return the execution token *xt* of the word associated with FCode number *fcode#*, and a flag *immediate?* that is **true** if and only if that word will be executed (rather than compiled) when the FCode evaluator encounters its FCode number while in compilation state.

go (--)
Execute or resume execution of a program in memory.

Restore the processor state from the *saved-program-state* memory area and begin/resume execution of the machine-code program.

Resume execution at the address saved in the *saved-program-state* program counter register. This will normally contain the initial value for a newly loaded program or the resumption address for a suspended program. However, the saved program counter register can be altered by the user, causing the program to resume (when **go** is executed) from an arbitrary address.

This command has no effect unless **state-valid** contains **true**.

go can be used in conjunction with other commands in one of several ways:

After **load** (which also initializes the *saved-program-state*), **go** executes the program just downloaded.

After a program is suspended by entering the implementation-dependent "abort-sequence" (which saves the processor state in *saved-program-state*), **go** resumes execution of the suspended program.

When testing a program with breakpoints, and after a breakpoint has been encountered (which saves the processor state in *saved-program-state*), **go** resumes execution of the program being tested.

gos (n --)
Execute **go** *n* times.

h#	([number<>] -- n)	T	
Interpret the following number as a hexadecimal number (base sixteen).			
Interpretation:	([number<>] -- n)		
Skip leading space delimiters. Parse <i>number</i> delimited by a space. Convert the string <i>number</i> to an integer <i>n</i> using a conversion radix of sixteen. Put <i>n</i> on the stack. An ambiguous condition exists if the conversion fails.			
Compilation:	([number<>] --)		
Skip leading space delimiters. Parse <i>number</i> delimited by a space. Convert the string <i>number</i> to an integer <i>n</i> using a conversion radix of sixteen. Append the run-time semantics given below to the current definition. An ambiguous condition exists if the conversion fails.			
Run-time:	(-- n)		
Place <i>n</i> on the stack.			
The number is interpreted in hexadecimal regardless of the current value in base . The value of base is unchanged.			
Used as: h# 1001 (decimal 4097)			
Tokenizer equivalent: b(lit) xx-byte xx-byte xx-byte xx-byte			
.h	(n --)	T	
Display a signed number (and space) in hex.			
Ignore the value in base and leave it unchanged. Also display a single trailing space.			
Tokenizer equivalent: base @ swap 16 base ! . base !			
headerless	(--)	T	
Newly created functions will be invisible.			
Arrange for subsequently created definitions to have temporary names that disappear when the <i>active package</i> is finished, so those definitions will be invisible thereafter. In implementations that lack the ability to make temporary names, this may be a no-operation.			
The mode established by headerless persists until changed by headers or external .			
Tokenizer: Arrange for subsequently created FCode functions to use new-token , so those functions will be invisible (internal to their package).			
headers	(--)	T	
Newly created functions will be optionally visible.			
Arrange for subsequently created definitions to have, at the user's discretion, either permanent names as with external or temporary names as with headerless . In implementations that lack the ability to make temporary names, this may be a no-operation. Otherwise, the means for controlling whether names are permanent or temporary shall be the same as that used by named-token .			
The mode established by headers persists until changed by external or headerless .			
Tokenizer: Arrange for subsequently created FCode functions to use named-token , so those functions will be either visible or invisible at the user's discretion (see fcode-debug?). This is the default behavior.			
help	("{name}<eol>" --)		
Provide information for category or specific command.			
If <i>name</i> is a specific command, list help for that command, if available. Otherwise, display an implementation-dependent message.			
Used as: ok help command-name			
If <i>name</i> is a category, list all help messages for commands in that category, or a list of subcategories.			
Used as: ok help category-name			
If name is omitted, provide general help and a list of available categories.			
Commands should be grouped into categories so that the help messages for a category occupy no more than twenty-three output lines. Categories may be divided into subcategories. The number and names of categories are implementation-dependent.			
here	(-- addr)	A,F	0xAD
Return current dictionary pointer.			

hex (tokenizer)	(--)	A,T	
Set numeric conversion radix to sixteen.			
If hex is encountered in FCode source outside a definition, set the tokenizer's numeric conversion radix to sixteen. If hex is encountered in FCode source inside a definition, append the following sequence to the FCode program that is being created:			
Tokenizer equivalent: 16 base !			
ANS Forth/tokenizer difference: ANS Forth has no separate "tokenizing" behavior.			
hold	(char --)	A,F	0x95
Add char in pictured numeric output conversion.			
hop	(--)		
Execute single instruction, or entire subroutine call.			
Same as step , except that if the instruction to be executed is a subroutine call, execute the entire subroutine before stopping, instead of just the call instruction.			
If the execution of that subroutine results in encountering another breakpoint, the result is implementation-dependent.			
hops	(n --)		
Execute hop <i>n</i> times.			
i	(-- index) (R: sys -- sys)	A,F	0x19
Return current loop index value.			
ANS Forth note: Also works outside of a definition.			
if	(C: -- orig-sys) (do-next? --)	A,T	
If flag is true, execute following code.			
Interpretation:	(C: -- orig-sys)		
Enter compilation state, initiating a temporary current definition in a region of memory other than the data space. Then perform the compilation semantics of ANS Forth IF .			
Compilation:	(C: -- orig-sys)		
Same as ANS Forth.			
Run-time:	(do-next? --)		
Same as ANS Forth.			
Tokenizer equivalent: b?branch +offset			
ANS Forth note: Also works outside of a definition.			
ihandle>phandle	(ihandle -- phandle)	F	0x20B
Return the <i>phandle</i> for the indicated <i>ihandle</i> .			
immediate	(--)	A	
Declare the previous definition as "immediate".			
>in	(-- a-addr)	A	
variable containing offset of next input buffer character.			
init-program	(--)		
Initialize <i>saved-program-state</i> .			
Set <i>saved-program-state</i> to the ISA-dependent initial program state required for beginning the execution of a client program.			

- input** (dev-str dev-len --)
- Select the indicated device for console input.
- Search for a device node matching the pathname or device-specifier given by *dev-str dev-len*. The search process is as defined in 4.3, using the rules given for **find-device**, but restore the *active package* to its previous package afterwards.
- If such a device is found, search for its **read** method.
- If the **read** method is found, open the device, as with **open-dev**.
- If the **open** succeeds, execute the device's **install-abort** method, if any.
- If any of these steps fails, display an appropriate error message and return without performing the steps following the one that failed.
- If there is a console input device, as indicated by a nozero value in the **stdin** variable, execute the console input device's **remove-abort** method and close the console input device. Set **stdin** to the *ihandle* of the newly opened device, making it the new console input device.
- Used as:** " device-alias" input
- input-device** (-- dev-str dev-len) N
- Default console input device.
- Indicates the device to be established as the console input device by **install-console**. *dev-string* is a *device-specifier*.
- Used as:** ok setenv input-device device-alias <eol>
- Configuration variable type: *string*[32]. Suggested default value: **keyboard**.
- insert-characters** (n --) F 0x15D
- defer**, insert *n* spaces to the right of the cursor.
- insert-characters** is one of the **defer** words of the display device interface. The terminal emulator package executes **insert-characters** when it has processed a character sequence that calls for opening space for characters to the right of the cursor.
- Any standard package that uses the terminal emulator package shall, as part of the process of opening the terminal emulator package, set this **defer** word to a function with the following behavior:
- Move the remainder of the line to the right, thus losing the *n* rightmost characters in the line, without moving the cursor. Fill the vacated character positions with the background color.
- See also:** to, fb8-install
- insert-lines** (n --) F 0x15F
- defer**, insert *n* blank lines at and below the cursor line.
- insert-lines** is one of the **defer** words of the display device interface. The terminal emulator package executes **insert-lines** when it has processed a character sequence that calls for opening space for lines of text below the cursor .
- Any standard package that uses the terminal emulator package shall, as part of the process of opening the terminal emulator package, set this **defer** word to a function with the following behavior:
- Move the cursor line and all following lines down, thus losing the *n* bottom lines, without moving the cursor. Fill the *n* vacated lines with the background color.
- See also:** to, fb8-install
- install-abort** (--) M
- Begin polling for a keyboard abort sequence.
- Instruct the device driver to begin periodic polling for a keyboard abort sequence. If a keyboard abort sequence is subsequently encountered, **abort** is executed.
- This command is executed when the device is selected as the console input device.

install-console (--)

Select and activate console input and output devices.

Activate the console function and select input and output devices as follows:

- a) Activate the console so that subsequent input (e.g., **key**) and output (e.g., **emit**) will use the devices selected by **input** and **output**.
- b) Attempt to create a **screen** alias as described in 7.4.5.
- c) Execute **output** with the value returned by **output-device**.
- d) Execute **input** with the value returned by **input-device**.
- e) If the previous code failed and there is a *fallback* device to be used for console functions, select that device as the console device.

install-console may take other system-dependent actions to ensure that a console device is available in the event of a failure, and may display messages indicating that such action has been taken.

instance (--) F 0xC0

Mark next occurring defining word as instance-specific.

Modify the next occurrence of **value**, **variable**, **defer**, or **buffer**: to create instance-specific data instead of static data. Re-allocate the data each time a new instance of this package is created.

Used as: ok 30 instance value new-name

.instruction (--)

Display next pending address and instruction.

Display the address where the last breakpoint occurred and the instruction that would have executed next if the breakpoint had not been there.

The instruction-display format is ISA-specific.

“interrupts” S

Standard *property name* to define the interrupts used.

prop-encoded-array:

Arbitrary number of interrupt specifiers (bus-specific), each typically encoded with **encode-int**.

Specifies the interrupt level(s) used by this device and possibly other appropriate information (such as interrupt vectors). The level given is the bus-specific (local) level, not the CPU level. The actual format of the data is bus-specific; see the appropriate Open Firmware machine-specific document for details.

See also: **intr**

intr (sbus-interrupt# vector --) F,O 0x117

Creates the **“intr”** property.

See the description of the **“intr”** property for more details.

“intr” S

Standard *property name*, defines SBus interrupt level(s).

prop-encoded-array:

n (CPU_level,intr_vector) pairs, each value encoded with **encode-int**.

CPU_level created by: *SBus_level* **sbus-intr>cpu encode-int**

Vector created by: *intr_vector* **encode-int**

If, at the time the **“intr”** property is created, the *active package* does not have an **“interrupts”** property, create an **“interrupts”** property in addition to the **“intr”** property, with the following property value:

prop-encoded-array:

n SBus_levels, each encoded with **encode-int**, corresponding to the *n* CPU_levels of the **“intr”** property value.

This property, with its semantics of creating an **“interrupts”** property, is included as a concession to existing FCode programs. It should be used only by those FCode programs that require compatibility with older SBus systems. It should not be used by FCode programs for non-SBus devices. The specification of this property is included here, rather than in an SBus-specific supplement, because of the possibility that, even on systems that nominally do not support SBus, SBus devices might be used via a bus-to-bus bridge.

One of two forms is used:

First form: 5 0 intr

This is the most common usage. The **intr** FCode translates the *sbus-interrupt#* (5) to the appropriate *CPU_level* (with **sbus-intr>cpu**), and then creates the “**intr**” property with the CPU interrupt value. The *intr_vector* value is always 0.

Second form:

```
5 sbus-intr>cpu encode-int          0 encode-int encode+
7 sbus-intr>cpu encode-int encode+ 0 encode-int encode+
" intr" property
```

This form is generally only used when multiple-interrupt levels must be declared. (Multiple-levels cannot be declared with the first form.)

inverse? (-- white-on-black?) F 0x154
value, indicates how to paint characters.

This **value** is part of the display device interface.

The *terminal emulator* package shall set **inverse?** to **true** when the escape sequences that it has processed have indicated that subsequent characters are to be shown with foreground and background colors exchanged, and to **false**, indicating normal foreground and background colors, otherwise.

The “**fb1**” and “**fb8**” frame-buffer support packages shall draw characters with foreground and background colors exchanged if **inverse?** is **true**, and with normal foreground and background colors is **false**. If **inverse?** is neither **true** nor **false**, the result is undefined.

Standard packages that use the *terminal emulator* package should draw characters with foreground and background colors exchanged if **inverse?** is **true**, and with normal foreground and background colors if **false**.

inverse? affects the character display operations **draw-character**, **insert-characters**, and **delete-characters**, but not the other operations such as **insert-lines**, **delete-lines**, and **erase-screen**.

inverse-screen? (-- black?) F 0x155
value, indicates how to paint the background.

This **value** is part of the display device interface.

The *terminal emulator* package shall set **inverse-screen?** to **true** when the escape sequences that it has processed have indicated that the foreground and background colors are to be exchanged for operations that affect the background, and to **false**, indicating normal foreground and background colors, otherwise.

The “**fb1**” and “**fb8**” frame-buffer support packages shall perform screen drawing operations other than character drawing operations with foreground and background colors exchanged if **inverse-screen?** is **true**, and with normal foreground and background colors is **false**. If **inverse-screen?** is neither **true** nor **false**, the result is undefined.

Standard packages that use the *terminal emulator* package should perform screen drawing operations other than character drawing operations with foreground and background colors exchanged if **inverse-screen?** is **true**, and with normal foreground and background colors is **false**. **inverse-screen?** affects background operations such as **insert-lines**, **delete-lines** and **erase-screen**, but not character display operations such as **draw-character**, **insert-characters** and **delete-characters**.

NOTE—When **inverse-screen?** and **inverse?** are both **true**, the colors are exchanged over the entire screen, and subsequent characters are not highlighted with respect to the (inverse) background. For exchanged screen colors and highlighted characters, the settings are **inverse-screen? true** and **inverse? false**.

invert (x1 -- x2) A,F 0x26
Invert all bits of *x1*.

- invert-screen** (--) F 0x15C
defer, exchange the foreground and background colors.
invert-screen is one of the **defer** words of the display device interface. The terminal emulator package executes **invert-screen** when it has processed a character sequence that calls for exchanging the foreground and background colors (e.g., changing from black-on-white to white-on-black).
Any standard package that uses the terminal emulator package shall, as part of the process of opening the terminal emulator package, set this **defer** word to a function with the following behavior:
Change all pixels on the screen so that pixels of the foreground color are given the background color, and vice versa, leaving the colors that will be used by subsequent text output unaffected.
See also: **to**, **fb8-install**
- io** (dev-str dev-len --)
Select the indicated device for console input and output.
Execute **input** followed by **output** with *dev-str dev-len* as arguments in both cases.
Used as: " device-alias" io
- is-install** (xt --) F 0x11C
Create **open**, other methods for this display device.
Create methods for accessing the display device driver in the *active package*.
Used as: ['] my-open-routine is-install
Create the following methods:
open
When later called, execute the display driver's "my-open-routine" (whose execution token is *xt*) and initialize the *terminal emulator*.
write
When later called, pass its argument string to the *terminal emulator* for interpretation.
draw-logo
When later called, execute the display driver's "my-draw-logo" procedure which was installed into the **defer** word **draw-logo** by the driver's "my-open-routine".
restore
When later called, execute the display driver's "my-reset-screen" procedure which was installed into the **defer** word **reset-screen** by the driver's "my-open-routine".
- is-remove** (xt --) F 0x11D
Create **close** method for this display device.
Used as: ['] my-close-routine is-remove
The created **close** method, when later called, executes the display driver's "my-close-routine" procedure (whose execution token is *xt*).
- is-selftest** (xt --) F 0x11E
Create **selftest** method for this display device.
Used as: ['] my-selftest-routine is-selftest
The created **selftest** method, when later called, executes the display driver's "my-self-test-routine" procedure (whose execution token is *xt*).
- (is-user-word)** (E: ... -- ???) F 0x214
(name-str name-len xt --)
Create new command named by string, behavior is *xt*.
Create a Forth command whose name is given by *name string*. The behavior of the new command is given by the execution token *xt*, which must refer to a static method.
Used as: " new-name" ['] old-name (is-user-word)

j	(-- index) (R: sys -- sys)	A,F	0x1A
	Return next outer loop index value. ANS Forth note: Also works outside of a definition.		
key	(-- char)	A,F	0x8E
	Read a character from the console input device. If no key has been typed since the last key or expect commands, key will wait until a new character is typed. Use key? to determine if a character is available.		
key?	(-- pressed?)	A,F	0x8D
	Return true if an input character is available from the console input device. key? is non-destructive; the keyboard character is not consumed.		
1!	(quad qaddr --)	F	0x73
	Store quadlet to <i>qaddr</i> . See: r1!		
1,	(quad --)	F	0xD2
	Compile a quadlet into the dictionary (doublet-aligned). Allocate 4 bytes (with allot) at the current top of the dictionary and store the value <i>quad</i> into that space. The dictionary pointer must have been doublet-aligned.		
1@	(qaddr -- quad)	F	0x6E
	Fetch quadlet from <i>qaddr</i> . See: r1@		
/1	(-- n)	F	0x5C
	The number of address units to a quadlet; typically, four.		
/1*	(nu1 -- nu2)	F	0x68
	Multiply <i>nu1</i> by the value of /1 .		
1a+	(addr1 index -- addr2)	F	0x60
	Increment <i>addr1</i> by <i>index</i> times the value of /1 .		
1a1+	(addr1 -- addr2)	F	0x64
	Increment <i>addr1</i> by the value of /1 .		

label	(E: -- addr) ("new-name<>" -- code-sys)		
	Begin machine-code sequence, leave <i>addr</i> on stack.		
	Begin creation of an machine-code sequence called <i>new-name</i> . Interpret the following commands as assembler mnemonics. Commands created by label leave the address of the code on the stack when executed.		
	As with code , label is present even if the assembler is not installed. In this case, machine-code must be entered into the dictionary explicitly by value, i.e., with c , w , l , or , . The machine-code sequence is terminated by the c ; or end-code commands.		
	Used as: ok label new-name ok (assembler mnemonics) ok end-code		
	Later used as: new-name (machine-code-addr) <i>code-sys</i> is balanced by the corresponding c ; or end-code .		
lbflip	(quad1 -- quad2)	F	0x227
	Reverse the bytes within a quadlet.		
lbflips	(qaddr len --)	F	0x228
	Reverse the bytes within each quadlet in the given region.		
	The region begins at <i>qaddr</i> and spans <i>len</i> bytes. The behavior is undefined if <i>len</i> is not a multiple of /1.		
lbsplit	(quad -- b.lo b2 b3 b4.hi)	F	0x7E
	Split a quadlet into 4 bytes.		
	The high bits of the 4 bytes are zero.		
lcc	(char1 -- char2)	F	0x82
	Convert ASCII <i>char1</i> to lowercase.		
	Convert input values between 0x41 and 0x5A (ASCII A-Z) to 0x61 through 0x7A (ASCII a-z). All other input values are unchanged.		
leave	(--) (R: sys --)	A,T	
	Exit this do or ?do loop immediately.		
	Tokenizer equivalent: b(leave)		
	ANS Forth note: Also works outside of a definition.		
?leave	(exit? --) (R: sys --)	T	
	If flag is nonzero, exit this do or ?do loop immediately.		
	If <i>exit?</i> is nonzero, discard the current loop control parameters. An ambiguous condition exists if they are unavailable. Continue execution immediately following the innermost syntactically enclosing do ... loop or do ... ?loop .		
	Tokenizer equivalent: if leave then		
	See: ANS Forth return stack restrictions		
left-parse-string	(str len char -- R-str R-len L-str L-len)	F	0x240
	Split the string at first occurrence of delimiter <i>char</i> .		
	<i>R-string</i> is the string after, and <i>L-string</i> is the string before, the first occurrence of the delimiter. Neither string includes that first occurrence of the delimiter, although <i>R-string</i> might contain other later occurrences of that character.		
	If the delimiter does not appear in the argument string, <i>R-len</i> is zero and <i>L-string</i> is the same as the argument string.		

line#	(-- line#)	F	0x152
<p>value, return the current cursor line number.</p> <p>Return the current vertical position of the text cursor.</p> <p>NOTE—A value of zero represents the topmost line of the <i>text window</i>, not the topmost pixel of the frame-buffer.</p> <p>See: window-top for more details.</p>			
#line	(-- a-addr)	F	0x94
<p>variable containing the number of output lines.</p> <p><i>a-addr</i> is the address of a cell containing the number of output lines since the last user interaction.</p> <p>#line is set to zero when the command interpreter prompts for a new command line (whenever the ok prompt is displayed). Its value is increased by one when cr is executed.</p> <p>See: exit? for other conditions in which #line might be set to zero.</p>			
linefeed	(-- 0x0A)	T	
<p>ASCII code for “linefeed” character.</p> <p>Tokenizer equivalent: b(lit) 00 00 00 0x0A</p>			
#lines	(-- rows)	F	0x150
<p>value, return number of lines of text in <i>text window</i>.</p> <p>#lines is a value that is part of the display device interface. The <i>terminal emulator</i> package uses it to determine the height (number of rows of characters) of the text region that it manages. The “fb1” and “fb8” frame-buffer support packages also use it for a similar purpose.</p> <p>Any standard package that uses the terminal emulator package shall, as part of the process of opening the terminal emulator package, set this value to the desired height of the text region. That width shall not exceed the value of screen-#rows.</p> <p>See also: to, fb8-install.</p>			
literal	(C: x1 --) (-- x1)	A,C	
<p>Compile a number; later, leave it on the stack.</p>			
load (user interface)	("{params}<eol>" --)		
<p>Load a program, specified by <i>params</i>.</p> <p>Skip leading space delimiters. Parse <i>first-arg</i> delimited by a space. If <i>first-arg</i> is the empty string, set <i>device-specifier</i> to the default device and <i>arguments</i> to the default arguments as specified below, and proceed with the loading process as specified below. Otherwise, handle <i>first-arg</i> as follows:</p> <p style="padding-left: 2em;">If <i>first-arg</i> begins with the “/” character, or if it the name of a defined <i>dealias</i>, set <i>device-specifier</i> to <i>first-arg</i>, then skip leading space delimiters, set <i>arguments</i> to the remainder of the command line.</p> <p style="padding-left: 2em;">Otherwise, set <i>device-specifier</i> to the default device and <i>arguments</i> to the portion of the command line beginning at <i>first-arg</i> and continuing to the end of the line (including <i>first-arg</i> itself).</p> <p>If <i>arguments</i> is the empty string, replace it with the default arguments.</p> <p>Proceed as follows.</p> <p>Loading Process:</p> <p>If the client interface is implemented, save <i>arguments</i> and the <i>device-path</i> corresponding to <i>device-specifier</i> so they may be retrieved later via the client interface.</p> <p>Open, as with open-dev, the package specified by <i>device-specifier</i>, thus obtaining an <i>ihandle</i>. If unsuccessful, execute the equivalent of abort, thus stopping the loading process. Otherwise, execute, as with \$call-method, the load method of that <i>ihandle</i>, passing the system-dependent default load address to “load” as its argument. Then close, as with close-dev, that <i>ihandle</i>.</p> <p>If the “load” method succeeds, and the beginning of the loaded image is a valid client program header for the system, allocate memory at the address and of the size specified in that header, move the loaded image to the address, and perform the function of init-program to initialize <i>saved-program-state</i> so that a subsequent go command will begin execution of that program.</p>			

Default device and default arguments:

The default arguments are given by the value of **boot-file** if **diagnostic-mode?** is **false**, otherwise by the value of **diag-file**.

The default device is determined by the value of **boot-device** if **diagnostic-mode?** is **false**, otherwise by the value of **diag-device**. Either **boot-device** or **diag-device** may contain a list of *device-specifiers* separated by spaces. If that list contains only one entry, that entry is the default device. If that list contains more than one entry, the system attempts to open, as with **open-dev**, each specified device in turn, beginning with the first entry in the list and proceeding to the next-to-last entry. If an open succeeds, the device is closed, as with **close-dev**, and that *device-specifier* becomes the default device (it will be subsequently opened again by the loading process). If the last entry is reached without any prior successful opens, the last entry becomes the default device, without having been opened as part of the default device selection process.

See also: **boot**.

Used as: `ok load device-specifier arguments <eol>`

load (package method) (addr -- len) M

Load a client program from device to memory.

Load a client program from the device into memory beginning at address *addr*, returning *len*, the size in bytes of the program that was loaded.

If the device can contain several such programs, the *instance-arguments* (as returned by **my-args**) can be used in a device-dependent manner to select the particular program.

Usage restriction: The package containing the **load** method must be open before the **load** method is executed.

“local-mac-address”x S

Standard *property name* to specify preassigned network address.

prop-encoded-array:

Array of six bytes encoded with **encode-bytes**.

Specifies the 48-bit IEEE 802.3-style Media Access Control (MAC) (as specified in ISO/IEC 8802-3 : 1993 [B3]) address assigned to the device represented by the package, of *device type* **“network”**, containing this property. The absence of this property indicates that the device does not have a permanently assigned MAC address.

Used as:

```
create my-mac-address 8 c, 0 c, 20 c, 0 c, 14 c, 5e c,
my-mac-address 6 encode-bytes " local-mac-address" property
```

NOTE—In many systems, the MAC address is not associated with the individual network devices, but instead with the system itself. In such cases, the system-wide MAC address applies to all the network interfaces on that system, and individual network device nodes might not have *mac-address* properties. In other cases, especially with plug-in network interface cards that are intended for use on a variety of different systems, the manufacturer of the card assigns a MAC address to the card, which is reported via the **“local-mac-address”** property. A system is not obligated to use that assigned MAC address if it has a system-wide MAC address.

See also: **“network”**, **“mac-address”** and **mac-address**.

loop (C: dodest-sys --) A,T
(--) (R: sys1 -- <nothing> | sys2)

Add one to index, then return to the previous **do** or **?do** or exit the loop.

Compilation: (C: dodest-sys --)

Perform the compilation semantics of ANS Forth **LOOP**. Then, if the current definition is temporary and the depth of the control flow stack is the same as its depth when the temporary current definition was initiated, perform the compilation semantics of **;** and execute the temporary current definition.

Run-time: (--) (R: sys1 -- <nothing> | sys2)

Same as ANS Forth.

Tokenizer equivalent: `b(loop) -offset`

ANS Forth note: Also works outside of a definition.

+loop	(C: dodest-sys --) (delta --) (R: sys1 -- <nothing> sys2)	A,T	
	Add <i>delta</i> to index, then return to the previous do or exit the loop.		
Compilation:	(C: dodest-sys --)		
	Perform the compilation semantics of ANS Forth +loop . Then, if the current definition is temporary and the depth of the control flow stack is the same as its depth when the temporary current definition was initiated, perform the compilation semantics of ; and execute the temporary current definition.		
Run-time:	(delta --) (R: sys1 -- <nothing> sys2)		
	Same as ANS Forth.		
Tokenizer equivalent:	b(+loop) -offset		
ANS Forth note:	Also works outside of a definition.		
lpeek	(qaddr -- false quad true)	F	0x222
	Attempt to fetch the quadlet at <i>qaddr</i> .		
	Return the data and true if the access was successful. A false return indicates that a read access error occurred.		
lpoke	(quad qaddr -- okay?)	F	0x225
	Attempt to store the quadlet to <i>qaddr</i> .		
	Return true if the access was successful. A false return indicates that a write access error occurred.		
ls	(--)		
	Display the names of the <i>active package</i> 's children.		
lshift	(x1 u -- x2)	A,F	0x27
	Shift <i>x1</i> left by <i>u</i> bit-places. Zero-fill low bits.		
lwflip	(quad1 -- quad2)	F	0x226
	Swap the doublets within a quadlet.		
lwflips	(qaddr len --)	F	0x237
	Swap the doublets within each quadlet in the given region.		
	The region begins at <i>qaddr</i> and spans <i>len</i> bytes. The behavior is undefined if <i>len</i> is not a multiple of /1.		
lwsplit	(quad -- w1.lo w2.hi)	F	0x7C
	Split a quadlet into two doublets.		
	The high bits of the two doublets are zero.		
m*	(n1 n2 -- d.prod)	A	
	Signed multiply with double-number product.		
mac-address	(-- mac-str mac-len)	F	0x1A4
	Return a sequence of bytes containing network address.		
	The address is the Media Access Control (MAC) address to be used by a network device. The MAC address is denoted by a sequence of <i>mac-len</i> binary bytes beginning at <i>mac-str</i> . For example, for the 48-bit IEEE 802.3-style MAC address whose human-readable representation is "8 : 20 : 15 : 12 : 3e : 45", mac-address would return an array of 6 bytes containing 0x08, 0x20, 0x15, 0x12, 0x3E, 0x45.		
	The method by which the MAC address is determined is system-dependent. For example, in some systems, mac-address returns a system-wide address stored in a system-dependent location, and in other systems, the return value is derived from the " local-mac-address " property (if any) of the package corresponding to the current instance. Other systems might select their mac-address from a configuration table.		

“mac-address”

S

Standard *property name* to specify network address last used.

prop-encoded-array:

Array of 6 bytes encoded with **encode-bytes**.

Specifies the 48-bit IEEE 802.3-style Media Access Control (MAC) address that was last used by the device represented by the package, of *device type* “**network**”, containing this property. This property is created by the **open** method of a network device.

NOTE—This property is typically used by client programs that need to determine which network address was used by the network interface from which the client program was loaded.

map

(phys.lo ... phys.hi virt len ... mode --)

M

Create address translation.

Creates an address translation associating virtual addresses beginning at *virt* and continuing for *len ...* (whose format depends on the package) bytes with consecutive physical addresses beginning at *phys.lo ... phys.hi*. *Mode* is an MMU-dependent parameter (typically, but not necessarily, one cell) denoting additional attributes of the translation, for example access permissions, cacheability, mapping granularity, etc. If *mode* is -1 , an implementation-dependent default mode is used. If there are already existing address translations within the region delimited by *virt* and *len ...*, the result is undefined.

If the operation fails for any reason, uses **throw** to signal the error.

See also: **claim, modify, release, translate**

map-in

(phys.lo ... phys.hi size -- virt)

M

Map the specified region; return a virtual address.

Create a mapping associating the range of physical addresses beginning at *phys.lo ... phys.hi* and extending for *size* bytes within this device’s physical address space with a processor virtual address. Return that virtual address *virt*.

The number of cells in the list *phys.lo ... phys.hi* is determined by the value of the **#address-cells** property of the node containing **map-in**.

If the requested operation cannot be performed, a **throw** shall be called with an appropriate error message, as with **abort**”.

NOTE—Out-of-memory conditions may be detected and handled properly in the code with ['] **map-in catch**.

map-low

(phys.lo ... size -- virt)

F

0x130

Map the specified region; return a virtual address.

Create a mapping associating the range of physical addresses beginning at *phys.lo ... my-space* and extending for *size* bytes within this device’s physical address space with a processor virtual address. Return that virtual address *virt*.

Equivalent to: `my-space swap " map-in" $call-parent`

The number of cells in the list *phys.lo ...* is one less than the number determined by the value of the **#address-cells** property of the parent node..

If the requested operation cannot be performed, a **throw** shall be called with an appropriate error message, as with **abort**”.

NOTE—Out-of-memory conditions may be detected and handled properly in the code with ['] **map-low catch**.

See also: **map-out**

map-out

(virt size --)

M

Destroy mapping from previous **map-in**.

Destroy the mapping set up by **map-in** at virtual address *virt*, of length *size* bytes.

See also: **free-virtual**

mask

(-- a-addr)

F

0x124

variable to control bits tested with **memory-test-suite**.

The contents of this **variable** control which bits out of every cell will be tested with **memory-test-suite**. To test all bits, set **mask** to all ones. To test only the low-order byte of each cell, set just the lower bits of **mask**.

Used as: `000000ff mask !`

max	(n1 n2 -- n1 n2)	A,F	0x2F
Return greater of <i>n1</i> and <i>n2</i> .			
“max-frame-size”		S	
Standard <i>property name</i> to indicate maximum allowable packet size.			
<i>prop-encoded-array</i> :			
Integer, encoded with encode-int .			
This property, when declared in “network” devices, indicates the maximum packet length (in bytes) that the physical layer of the device can transmit at one time. This value can be used by client programs to allocate buffers of the appropriate length.			
Used as: 4000 encode-int " max-frame-size" property			
max-transfer	(-- max-len)	M	
Return size of largest possible transfer.			
Return the size in bytes of the largest single transfer that this device can perform, rounded down to a multiple of block-size .			
“memory”		S	
Random access memory device type.			
Standard string of the “device_type” property for memory devices.			
A standard package with this “device_type” property value shall implement the following methods:			
claim, release			
Additional requirements for the claim and release methods:			
claim ([phys.lo ... phys.hi] size align -- base.lo...base.hi)		Allocate (claim) addressable resource.	
release (phys.lo ... phys.hi size --)		Free (release) addressable resource.	
The address format is <i>phys.lo ... phys.hi</i> , a physical address of the form defined by the parent bus. The allocated resource is a region of random-access memory.			
The allocation length parameter <i>size</i> consists of one or more cells depending on the parent bus. (See “#size-cells”).			
A standard package with this “device_type” property value shall implement the following properties:			
“reg”	The property values are as defined for the standard “reg” format, with physical addresses of the form required by the parent bus. The regions of physical address space denote the physical memory that is installed in the system, without regard to whether or not that memory is currently in use.		
“available”	The property values are as defined for the standard “reg” format, with physical addresses of the form required by the parent bus. The regions of physical address space denote the physical memory that is currently unallocated by the Open Firmware and is available for use by client programs.		
See also: “available”, claim, “reg”, release, “#size-cells”			
memory-test-suite	(addr len -- fail?)	F	0x122
Perform tests of memory, starting at <i>addr</i> for <i>len</i> bytes.			
Return true if any of the tests fail and display a failure message on a system-dependent diagnostic output device.			
The actual tests performed are machine-specific and often vary depending on whether diagnostic-mode? is true or false .			
If diagnostic-mode? is true , send a message to the console output device giving the name of each test.			
The value stored in mask controls whether only some or all data lines are tested.			
min	(n1 n2 -- n1 n2)	A,F	0x2E
Return lesser of <i>n1</i> and <i>n2</i> .			

mod	(n1 n2 -- rem)	A,F	0x22
Divide <i>n1</i> by <i>n2</i> ; return remainder.			
* /mod	(n1 n2 n3 -- rem quot)	A	
Calculate <i>n1</i> times <i>n2</i> ; divided by <i>n3</i> .			
/mod	(n1 n2 -- rem quot)	A,F	0x2A
Divide <i>n1</i> by <i>n2</i> ; return remainder and quotient.			
model	(str len --)	F	0x119
Create the “ model ” property; value is indicated string.			
Shorthand command to create a property in the <i>active package</i> whose <i>property name</i> is “ model ”.			
Equivalent to: encode-string " model" property			
Used as: " XYZCO,1416-02" model			
See: “ model ” glossary entry for more information.			
“ model ”		S	
Standard <i>property name</i> to define a manufacturer’s model number.			
<i>prop-encoded-array:</i>			
Text string, encoded with encode-string .			
A manufacturer-dependent string that generally specifies the model name and number (including revision level) for this device. The format of the text string is arbitrary, although in conventional usage the string begins with the name of the device’s manufacturer as with the “ name ” property.			
Although there is no standard interpretation for the value of the “ model ” property, a specific device driver might use it to learn, for instance, the revision level of its particular device.			
See also: property, model .			
Used as: " XYZCO,1416-02" encode-string " model" property			
modify	(virt len ... mode --)	M	
Modify existing address translation.			
Modifies the existing address translations for virtual addresses beginning at <i>virt</i> and continuing for <i>len</i> ... (whose format depends on the package) bytes to have the attributes specified by <i>mode</i> , as with map .			
If the operation fails for any reason, uses throw to signal the error.			
See also: claim, map, release, translate, unmap			
move	(src-addr dest-addr len --)	A,F	0x78
Copy <i>len</i> bytes from <i>src-addr</i> to <i>dest-addr</i> .			
ms	(n --)	A,F	0x126
Delay for at least <i>n</i> milliseconds.			

my-address	(-- phys.lo ...)	F	0x102
Return low component(s) of device's probe address.			
<i>phys.lo ...</i> are the low components (i.e., all components other than the <i>phys.hi</i> component) of the physical address that was established by set-args when the device node for the current instance was created. If set-args has not been executed in the context of that node, all address components are zero. The meaning of that physical address is bus-specific. The number of cells in the list <i>phys.lo ...</i> is one less than the number determined by the value of the #address-cells property of the parent node.			
Usually, this value is used to calculate the location(s) of the device registers, which are then saved as the property value of the "reg" property and later accessed with my-unit .			
Historical note: In some prior implementations, the value returned by <i>my-address</i> could change between the time that a particular FCode program was evaluated and a later time after the corresponding package was finished. Consequently, an FCode program that needs to be compatible with those older implementations should save the value returned by my-address during FCode evaluation (perhaps by creating a constant with that value) if it will be needed afterwards.			
my-args	(-- arg-str arg-len)	F	0x202
Return the <i>instance-argument</i> string for this instance.			
Return the <i>instance-argument</i> string that was passed to the current instance (when the current instance was created).			
my-parent	(-- ihandle)	F	0x20A
Return the <i>ihandle</i> of the parent of the current instance.			
Return the <i>ihandle</i> of the instance that opened the current instance.			
my-self	(-- ihandle)	F	0x203
Return the <i>ihandle</i> of the <i>current instance</i> . If there is no current instance, return zero.			
my-self is a <i>value</i> word; its value can be set with the phrase to my-self , establishing a new <i>current instance</i> .			
my-space	(-- phys.hi)	F	0x103
Return high component of device's probe address.			
<i>phys.hi</i> is the high component of the physical address that was established by set-args when the device node for the current instance was created. If set-args has not been executed in the context of that node, <i>phys.hi</i> is zero. The meaning of that physical address is bus-specific.			
Usually, this value is used to calculate the location(s) of the device registers, which are saved as the property value of the "reg" property and later accessed with the my-unit command.			
NOTE —In some prior implementations, the value returned by <i>my-space</i> could change between the time that a particular FCode program was evaluated and a later time after the corresponding package was finished. Consequently, an FCode program that needs to be compatible with those older implementations should save the value returned by my-space during FCode evaluation (perhaps by creating a constant with that value) if it will be needed afterwards.			
my-unit	(-- phys.lo ... phys.hi)	F	0x20D
Return the <i>unit address</i> of the current instance.			
The <i>unit address</i> is set when the instance is created, as follows:			
If the <i>node name</i> used to locate the instance's package contained an explicit <i>unit address</i> , that is the instance's <i>unit address</i> . (This explicit <i>unit address</i> will match the first component of the reg property, if present. This clause handles the case where there is no reg property, i.e., a "wildcard" node.)			
Otherwise, if the device node associated with the package from which the instance was created contains a "reg" property, the first component of its property value is the instance's <i>unit address</i> .			
Otherwise, the instance's <i>unit address</i> is 0 ... 0.			
The number of cells in the list <i>phys.lo ... phys.hi</i> is determined by the value of the #address-cells property of the parent node.			
/n	(-- n)	F	0x5D
The number of address units in a cell.			

/n* Synonym for cells . Tokenizer equivalent: <code>cells</code>	(nu1 -- nu2)	T	
na+ Increment <i>addr1</i> by <i>index</i> times the value of /n .	(addr1 index -- addr2)	F	0x61
na1+ Synonym for cell+ . Tokenizer equivalent: <code>cell+</code>	(addr1 -- addr2)	T	
“name” Standard <i>property name</i> to define the name of the package. <i>prop-encoded-array:</i> Text string, encoded with encode-string . Represents the name of this package. The string consists of a sequence of 1 to 31 letters, digits, and punctuation characters from the set “, . _ + -”. The string shall contain, at most, one comma. Uppercase and lowercase letters are considered distinct. For plug-in devices, the value string shall begin with a company name string in one of the following forms, followed by a comma (“,”). “ 0NNNNNN ”, where NNNNNN is a sequence of 6 uppercase hexadecimal digits representing the company’s 24-bit Organizationally Unique Identifier (OUI) assigned by the IEEE Registration Authority Committee (RAC). To obtain an OUI, contact:		S	

Registration Authority Committee
The Institute of Electrical and Electronic Engineers, Inc.
445 Hoes Lane
Piscataway, NJ 08855-1331
USA
(908) 562-3815

This is the recommended form of company name, as it is guaranteed to be unique worldwide.

“**VWXYZ**”, where **VWXYZ** is a sequence of from one to five uppercase letters representing the stock symbol of the company on any stock exchange whose symbols do not conflict with the symbols of the New York Stock Exchange and the NASDAQ exchange. (In practice, all United States stock exchanges comply with this rule, but other stock exchanges worldwide do not necessary coordinate their symbols with NYSE and NASDAQ.)

This form of company name is allowed as a concession to existing practice.

“**pdqxyz**”, where **pdqxyz** is any string that cannot be confused for one of the above forms (perhaps by containing characters that are not allowed by those forms such as lowercase letters, or by being longer than five letters).

This form of company name is permitted, but discouraged, because of the possibility that two different companies might choose the same name.

A standard package shall define this property.

Used as:

```
" XYZQ,devname" encode-string " name" property
```

See also: **property, device-name**

named-token	(--) (F: /FCode-string FCode#/ --)	F	0xB6
Create a new possibly named FCode function.			
FCode evaluation:			
(F: /FCode-string FCode#/ --)			
Read an <i>FCode-string</i> , then an <i>FCode#</i> , from the current FCode program. Create a new FCode function, associating with it the FCode number <i>FCode#</i> . The new function's execution semantics are initially undefined; they will be determined later by the execution of either b(:) , b(create) , b(defer) , b(constant) , b(buffer:) , b(field) , b(variable) , or b(value) .			
At the system's discretion (typically controlled by fcode-debug?), either leave the new function unnamed or associate it with the name given by <i>FCode-string</i> . If the function is unnamed, the only way to refer to it later is via its associated FCode number; it cannot be accessed by name from the user interface or via other mechanisms like \$call-method . If the function is named, it becomes a method of the current node. That method can later be executed with, for example, \$call-method .			
FCODE ONLY (Tokenized by defining words in headers mode)			
negate	(n1 -- n2)	A,F	0x2C
Return negation of <i>n1</i> .			
Equivalent to: 0 swap -			
“network”		S	
Packet-oriented network device type.			
Standard string value of the “device_type” property for network devices with IEEE 802 packet formats.			
A standard package with this “device_type” property value shall implement the following methods.			
open, close, read, write, load			
Additional requirements for the open method:			
Execute mac-address and create a “mac-address” property with that value.			
Additional requirements for the read method:			
Receive (non-blocking) a network packet, placing at most the first <i>len</i> bytes of that packet into memory starting at <i>addr</i> . Return the number of bytes actually received (not the number copied into memory), or zero if no packet is currently available.			
Discard packets containing hardware-detected errors, as though they were not received.			
Additional requirements for the write method:			
Transmit the network packet of length <i>len</i> bytes from the memory buffer beginning at <i>addr</i> . Return the number of bytes actually transmitted.			
The packet to be transmitted begins with an IEEE 802 Media Access Control (MAC) header.			
Usage restriction: The caller must supply the complete header; the source hardware address will not necessarily be “automatically inserted” into the outgoing packet.			
Additional requirements for the load method:			
Read the default client program into memory, starting at <i>addr</i> , using the default network booting protocol.			
A standard package with this “device_type” property value may implement additional device-specific methods.			
A standard package with this “device_type” property value shall implement the following property if the associated device has a preassigned IEEE 802.3-style MAC (network) address:			
“local-mac-address”			
NOTE —Such packages often use the “obp-tftp” support package to implement the “load” method.			
See also: “address-bits” , “max-frame-size”			
new-device	(--)	F	0x11F
Start new package, as child of <i>active package</i> .			
Create a new device node as a child of the <i>active package</i> and make the new node the <i>active package</i> . Create a new instance and make it the current instance; the instance that invoked new-device becomes the parent instance of the new instance.			
Subsequently, newly defined Forth words become the methods of the new node and newly defined data items (such as types variable , value , buffer: , and defer) are allocated and stored within the new instance.			

new-token	(--) (F: /FCode#/ --)	F	0xB5
<p>Create a new unnamed FCode function. Followed by <i>FCode#</i>.</p> <p>FCode evaluation: (F: /FCode#/ --)</p> <p>Read an <i>FCode#</i> from the current FCode program. Create a new FCode function, associating with it the FCode number <i>FCode#</i>. The new function's execution semantics are initially undefined; they will be determined later by the execution of either b(:), b(create), b(defer), b(constant), b(buffer:), b(field), b(variable), or b(value).</p> <p>The new function is unnamed, thus the only way to refer to it later is via its associated FCode number; it cannot be accessed by name from the user interface or via other mechanisms like \$call-method.</p> <p>Usage restriction: A standard FCode program shall use new-token only with FCode numbers in the program-defined range.</p> <p>FCODE ONLY (Tokenized by defining words in headerless mode)</p>			
next-property	(previous-str previous-len phandle -- false name-str name-len true)	F	0x23D
<p>Return the <i>name</i> of the property following <i>previous</i> of <i>phandle</i>.</p> <p><i>Name</i> is a null-terminated string that is the name of the property following <i>previous</i> in the property list for device <i>phandle</i>. If <i>previous</i> is zero or points to a zero-length string, <i>name</i> is the name of the <i>phandle</i>'s first property. If there are no more properties after <i>previous</i> or if <i>previous</i> is invalid (i.e., names a property that does not exist in <i>phandle</i>), <i>name</i> is a pointer to a zero-length string.</p>			
nip	(x1 x2 -- x2)	A,F	0x4D
<p>Remove the second stack item.</p>			
nodefault-bytes	(E: -- addr len) (maxlen "new-name<>" --)		
<p>Create custom configuration variable of size <i>maxlen</i>.</p> <p>If the requested operation cannot be performed, a throw shall be called with an appropriate error message, as with abort.</p> <p>NOTE—Out-of-memory conditions may be detected and handled properly in the code with [] nodefault-bytes catch.</p> <p>Users can create new <i>configuration variables</i> with the nodefault-bytes command. Although the values of user-created <i>configuration variables</i> persist across system resets, in order for them to be accessed Open Firmware must be "reminded" of their existence after every system reset. Furthermore, the nodefault-bytes commands creating them must be executed in the same order each time. For these reasons, nodefault-bytes is usually executed from the <i>script</i>.</p> <p>nodefault-bytes creates a <i>configuration variable</i> whose data is of type byte-array. As with other built-in byte-array <i>configuration variables</i>, these user-created <i>configuration variables</i> can be set with setenv (restricted to printable characters) or \$setenv and can be displayed with the printenv command. However, set-default and set-defaults have no effect on user-created <i>configuration variables</i>.</p> <p>Used as: ok 100 nodefault-bytes new-name</p> <p>Later used as: (data-addr data-len) " new-name" \$setenv</p> <p>Later used as: new-name (data-addr data-len)</p>			
noop	(--)	F	0x7B
<p>Do nothing.</p> <p>NOTE—noop is primarily used for debugging or testing purposes, such as a placeholder for patching in other commands or to provide short delays for debugging device-timing problems.</p>			
noshowstack	(--)		
<p>Turn off showstack (automatic stack display).</p> <p>The system default is noshowstack.</p> <p>See: showstack.</p>			

not	(x1 -- x2)	T	
Synonym for invert .			
Tokenizer equivalent: invert			
\$number	(addr len -- true n false)	F	0xA2
Convert a string to a number.			
Perform the conversion according to the current value in base . Return true if an inconvertible character is encountered.			
>number	(d1 str1 len1 -- d2 str2 len2)	A	
Convert <i>string</i> to a number; add to <i>d1</i> .			
nvalias	("alias-name< >device-specifier<eol>" --)		
Create nonvolatile device alias; edit the <i>script</i> .			
Create the following command line in the <i>script</i> :			
devalias alias-name device-specifier			
If the <i>script</i> already contains a devalias line with the same <i>alias</i> name, delete that entry and replace it with the new entry at the same location in the <i>script</i> . Otherwise, place the new entry at the beginning of the <i>script</i> .			
If there is insufficient space in the <i>script</i> for the new devalias command, display a message to that effect and abort without modifying the <i>script</i> .			
If the <i>script</i> was successfully modified, execute the new devalias command immediately, creating a new memory-resident alias.			
If the <i>script</i> is currently being edited (i.e., nvedit has been executed, but has not been completed with either nvstore or nvquit), abort with an error message before taking any other action.			
If the <i>script</i> was successfully modified, but use-nvramrc? is false , set use-nvramrc? to true .			
Used as: ok nvalias alias-name /full/pathname <eol>			
\$nvalias	(name-str name-len dev-str dev-len --)		
Create nonvolatile device alias; edit the <i>script</i> .			
Performs the same function as nvalias , except that parameters are stack strings. Alias name is specified by <i>name string</i> . Device-specifier is specified by <i>dev-string</i> .			
Used as: ok " new-alias" " device-specifier" \$nvalias			
nvedit	(--)		
Enter the <i>script</i> editor (exit with ^c).			
nvedit operates on a temporary buffer. If data remains in the temporary buffer from a previous nvedit , editing will resume with those previous contents. If not, nvedit will read the contents of the <i>script</i> into the temporary buffer and begin editing the temporary buffer.			
Editing continues until ^c is typed, at which point editing ceases and normal operation of the command interpreter is resumed. The contents of the temporary buffer are not automatically saved to the <i>script</i> ; the nvstore command must be executed afterwards to save the buffer into the <i>script</i> .			
The Intra-line Editing keystrokes are used within the <i>script</i> editor, with some additions.			
See: 7.4.4.2.			
nvquit	(--)		
Discard contents of nvedit temporary buffer.			
Prompt for confirmation of the user's intent to carry out this function. If confirmation is obtained, discard the nvedit temporary buffer. Otherwise, take no further action.			

- nvramrc** (-- data-addr data-len) N
Contents of the *script*.
The size of the *script* region is system-dependent.
While it is possible to alter the contents of the *script* with **setenv** or the **\$setenv** command, use of the *script* editor is preferred.
The contents of the *script* are cleared by **set-defaults**. Under some circumstances cleared contents can be recovered with **nvrecover**.
The commands in the *script* are interpreted during system start-up, but only if **use-nvramrc?** is **true**.
Configuration variable type: *string[?]*. Suggested default value: an empty string.
See: **nvedit** for more details on altering its contents.
- nvrecover** (--)
Attempt to recover lost *script* contents.
Attempt to recover the contents of the *script* if they have been lost as a result of the execution of **set-default** or **set-defaults**. Enter the the *script* editor as with the **nvedit** command. In order for **nvrecover** to succeed, **nvedit** must not have been executed between the time that the *script* contents were lost and the time that **nvrecover** is executed.
- nvrn** (--)
Execute the contents of the **nvedit** temporary buffer.
- nvstore** (--)
Copy contents of **nvedit** temporary buffer into the *script*.
The **nvedit** temporary buffer is then cleared. Used after **nvedit** to save the results of an editing session into the *script*.
- nvunalias** ("alias-name<>" --)
Delete nonvolatile device alias from the *script*.
If the *script* contains a **devalias** command line with the same name as *alias-name*, delete that command line from the *script*. Otherwise, leave the *script* unchanged. If the *script* is currently being edited (i.e., **nvedit** has been executed, but has not been completed with either **nvstore** or **nvquit**), abort with an error message before taking any other action.
Used as: ok nvunalias alias-name
- \$nvunalias** (name-str name-len --)
Delete nonvolatile device alias from the *script*.
Perform the same function as **nvunalias**, except that the alias name is specified by *name string*.
Used as: ok " alias-name" \$nvunalias
- o#** ([number<>] -- n) T
Interpret the following number as an octal number (base eight).
Interpretation: ([number<>] -- n)
Skip leading space delimiters. Parse *number* delimited by a space. Convert the string *number* to an integer *n* using a conversion radix of eight. Put *n* on the stack. An ambiguous condition exists if the conversion fails.
Compilation: ([number<>] --)
Skip leading space delimiters. Parse *number* delimited by a space. Convert the string *number* to an integer *n* using a conversion radix of eight. Append the run-time semantics given below to the current definition. An ambiguous condition exists if the conversion fails.
Run-time:run-time (-- n)
Place *n* on the stack.
Interpret the number in octal regardless of the current value in **base**. The value in **base** is unchanged.
Used as: o# 1001 (513)
Tokenizer equivalent: b(lit) xx-byte xx-byte xx-byte xx-byte

<p>“obp-tftp” Support package, implements TFTP protocol. See: 3.8.2 for more information.</p>	S		
<p>octal Set numeric conversion radix to eight. Tokenizer: If octal is encountered in FCode source outside a definition, set the tokenizer’s numeric conversion radix to eight. If octal is encountered in FCode source inside a definition, append the following sequence to the FCode program that is being created. Tokenizer equivalent: 8 base !</p>	T	(--)	
<p>oem-banner Contain custom banner text, enabled by oem-banner?. Configuration variable type: <i>string[80]</i>. Suggested default value: an empty string.</p>	N	(-- text-str text-len)	
<p>oem-banner? If true, banner displays custom message in oem-banner. If true, banner displays a custom message instead of the normal system-dependent messages. If false, banner displays the normal system-dependent messages. Configuration variable type: <i>Boolean</i>. Suggested default value: false.</p>	N	(-- custom?)	
<p>oem-logo Contain custom logo for banner, enabled by oem-logo?. This logo is displayed by the banner command if oem-logo? is true. The logo is a 512-byte field, representing a 64x64-bit logo bit map. Each bit controls one pixel. The most significant bit of the first byte controls the upper-left corner pixel. The next bit controls the next pixel to the right and so on. oem-logo cannot receive arbitrary data with setenv, but \$setenv can be used to set its value. oem-logo is unaffected by set-default or set-defaults. Used as: (logo-addr logo-len) " oem-logo" \$setenv Configuration variable type: <i>bytes[512]</i>. Suggested default value: all zeroes.</p>	N	(-- logo-addr logo-len)	
<p>oem-logo? If true, banner displays custom logo in oem-logo. If true, banner will display the custom logo instead of the normal system-dependent logo. If false, banner will display the normal system-dependent logo. Configuration variable type: <i>Boolean</i>. Suggested default value: false.</p>	N	(-- custom?)	
<p>of Begin of clause, execute through endof if params match. Used within a case statement. Tokenizer equivalent: b(of) +offset ANS Forth note: Also works outside of a definition.</p>	A,T	(C: case-sys1 -- case-sys2 of-sys) (sel of-val -- sel <nothing>)	
<p>off Store false to cell at <i>a-addr</i>.</p>	F	(a-addr --)	0x6B

offset	(d.rel -- d.abs)	M	
<p>Convert partition-relative disk position to absolute position.</p> <p>This is a method of the disk label support package. <i>d.rel</i> is a double-number disk position, expressed as the number of bytes from the beginning of the partition that was specified in the arguments when the support package was opened. <i>d.abs</i> is the corresponding double-number disk position, expressed as the number of bytes from the beginning of the disk. If no partition was specified when the support package was opened, a system-dependent default partition is used. If the disk label support package does not support disk partitioning, <i>d.abs</i> is equal to <i>d.rel</i>.</p>			
offset16	(--)	F	0xCC
<p>All further branches use 16-bit (not 8-bit) <i>offsets</i>.</p> <p>Sets the <i>FCode-offset</i> size to 16 bits. Within the current FCode program, subsequent FCode functions that read an <i>FCode-offset</i> read the 16-bit form.</p> <p>Tokenizer: Execution (once only) of offset16 causes the tokenizer to use the 16-bit form, rather than the 8-bit form, for all subsequent <i>FCode-offsets</i> within this FCode program.</p> <p>A tokenizer may automatically insert offset16 at the beginning of an FCode program.</p> <p>Once offset16 is executed, the offset size remains 16 bits for the duration of the FCode program; it cannot be set back to 8 bits. Multiple calls of offset16 have no additional effect. offset16 is only useful within an FCode program that begins with version1. All other starting tokens (start0, start1, start2, and start4) automatically set the offset size to 16 bits.</p> <p>FCODE ONLY</p>			
on	(a-addr --)	F	0x6A
<p>Store true to cell at <i>a-addr</i>.</p>			
open	(-- okay?)	M	
<p>Prepare this device for subsequent use.</p> <p>Typical behavior is to allocate any special resource requirements it needs, map the device into virtual address space, initialize the device and perform a brief "sanity test" to ensure that the device appears to be working correctly.</p> <p>Return true if this open method was successful, false if not.</p> <p>When a device's open method is called, that device's parent has already been opened (and so on, up to the root node, which has no parent), so this open method can call its parent's methods, for instance to create mappings within the parent's address space.</p> <p>Several device types require the existence of an open method, particularly those with read and write methods.</p>			
open-dev	(dev-str dev-len -- ihandle 0)		
<p>Open device (and parents) named by given device-specifier.</p> <p>Open the device specified by <i>dev-string</i>. Return <i>ihandle</i> if successful, or 0 if not. Open each node of the device tree in turn, starting at the top. The <i>current instance</i> and the <i>active package</i> are not changed.</p> <p>The opening process is as defined in 4.3, using the rules given for open-dev.</p> <p>Used as: " device-alias" open-dev</p>			
open-package	(arg-str arg-len phandle -- ihandle 0)	F	0x205
<p>Open the package indicated by <i>phandle</i>.</p> <p>Create an instance of the package identified by <i>phandle</i>, save in that instance the <i>instance-argument</i> specified by <i>arg-string</i> and invoke the package's open method.</p> <p>Return the instance handle <i>ihandle</i> of the new instance, or 0 if the package could not be opened. This could occur either because that package has no open method, or because its open method returned false, indicating an error.</p> <p>The parent instance of the new instance is the instance that invoked open-package. The current instance is not changed.</p>			

\$open-package	(arg-str arg-len name-str name-len -- ihandle 0)	F	0x20F
Open the support package named by <i>name string</i> .			
Similar to find-package ... open-package , except that if find-package fails, returns 0 immediately, without calling open-package .			
Equivalent to: <code>find-package if open-package else 2drop false then</code>			
“/openprom”		S	
The node describing this Open Firmware implementation.			
See: 3.5 for a complete description.			
“/options”		S	
The node containing this system’s configuration variables.			
See: 3.5 for a complete description.			
or	(x1 x2 -- x3)	A,F	0x24
Return bitwise logical “inclusive-or” of <i>x1</i> and <i>x2</i> .			
#out	(-- a-addr)	F	0x93
variable holding the output column number.			
Increment the value when a character is displayed and reset to zero when cr is executed.			
output	(dev-str dev-len --)		
Select the indicated device for console output.			
Search for a device node matching the pathname or device-specifier given by <i>dev-str dev-len</i> . The search process is as defined in 4.3, using the rules given for find-device , but restore the <i>active package</i> to its previous package afterwards.			
If such a device is found, search for its write method.			
If the write method is found, open the device, as with open-dev .			
If any of these steps fails, display an appropriate error message and return without performing the steps following the one that failed.			
If there is a console output device, as indicated by a nonzero value in the stdout variable, close the console output device. Set stdout to the <i>ihandle</i> of the newly opened device, making it the new console output device.			
Used as: <code>" device-alias" output</code>			
output-device	(-- dev-str dev-len)	N	
Default console output device.			
Indicates the console output device to be established by install-console . <i>dev-string</i> is a device-specifier, containing either a full device-path or a pre-defined device alias.			
Used as: <code>ok setenv output-device device-alias <eol></code>			
Configuration variable type: <i>string[32]</i> . Suggested default value: screen .			
over	(x1 x2 -- x1 x2 x1)	A,F	0x48
Copy second stack item to top of stack.			
2over	(x1 x2 x3 x4 -- x1 x2 x3 x4 x1 x2)	A,F	0x54
Copy second pair of stack items to top of stack.			
pack	(str len addr -- pstr)	F	0x83
Pack a text string into a counted string.			
Store the string <i>str,len</i> as a counted string beginning at the address <i>addr</i> , returning the result <i>pstr</i> , which is the same address as <i>addr</i> . At most 256 characters, including the count byte, shall be stored in the array at <i>addr</i> .			

- “/packages”** S
The node containing all standard support packages.
For example, the “**disk-label**” support package is located in the device tree at “**/packages/disk-label**”.
See also: 3.8.
- parse** (delim "text<delim>" -- str len) A
Parse text from the input buffer, delimited by *delim*.
- parse-2int** (str len -- val.lo val.hi) F 0x11B
Convert a “hi,lo” string into a pair of values.
In the string, *val.hi* is first, separated from *val.lo* by a comma.
Used as: " 33,555" parse-2int (555 33)
Perform the conversion according to the current value in **base**.
If the string does not contain a comma, *val.lo* is zero and *val.hi* is the result of converting the entire string. If either component contains non-numeric characters, according to the value in **base**, the result is undefined.
- parse-word** ("text<>" -- str len)
Parse text from the input buffer, delimited by white space.
Skip leading spaces and parse *name* delimited by a space. *str* is the address (within the input buffer) and *len* is the length of the selected string. If the parse area was empty, the resulting string has a zero length.
- password** (--)
Prompt user to set security password.
Prompt the user (twice) to enter a new password, terminated by end-of-line. Do not echo the password on the screen as it is typed. The password length is zero to eight characters in length. Ignore any additional characters (more than eight).
If the entered password is the same both times, store the new password string in **security-password**. Note that **security-mode** must be set to enable password protection.
- patch** ("new-name<>old-name<>word-to-patch<>" --)
Change contents of *word-to-patch*.
In the compiled definition of *word-to-patch*, change the first occurrence of *old-name* to *new-name*. Works properly even if *old-name* and/or *new-name* are numbers.
Used as: ok patch 555 test patch-me
to edit the definition of *patch-me*, replacing the command *test* with the literal value 555.
Implementation note:
When replacing a command with a number, an implementation might need to automatically create a named constant value for the replacement number. (The reason is that Forth commands often compile into a smaller memory space than literal numbers, so patching a number in place of an existing command is a problem.) A suggested name format is *h#---*, i.e., the number 555 (hex) would be named “h#555”. A name containing only digits (i.e., 555 **constant** 555) is not recommended, since changing **base** would cause incorrect evaluation of subsequent uses of that named value.
- (patch)** (new-n1 num1? old-n2 num2? xt --)
Change contents of command indicated by *xt*.
In the compiled definition of the command indicated by *xt*, change the first occurrence of *old-n2* to *new-n1*. *n1* and *n2* can each be either an execution token or a literal number. The flag *num1?*, if **true**, indicates that *new-n1* is a literal number. If **false**, it indicates that *new-n1* is an execution token. The flag *num2?* is interpreted similarly.
Used as: ['] new-name false 555 true ['] patch-me (patch)
to edit the definition of *patch-me*, replacing the value 555 with the command *new-name*.
See: **patch** for more information.

- peer** (phandle -- phandle.sibling) F 0x23C
Return the phandle of the next sibling node.
Phandle.sibling is the node identifier of the node that is the next sibling of the device described by *phandle*, or zero if there are no more siblings. If *phandle* is zero, *phandle.sibling* is the node identifier of the root node.
- pick** (xu ... x1 x0 u -- xu ... x1 x0 xu) A,F 0x4E
Copy *uth* stack item to top of stack.
Remaining stack items are unchanged.
For example:
0 pick <=> dup
1 pick <=> over
- postpone** (C: [old-name<>] --) A,C
(... -- ???)
Delay execution of the immediately following command.
- printenv** ("{param-name}<eol>" --)
Display current, default value of *configuration variable* (or all).
Parse *param-name*, delimited by end-of-line. If *param-name* is missing, display the current and default values of all *configuration variables*. Otherwise, display the current and default values of the *configuration variable* given whose name is *param-name*.
The values are displayed in their output text representation form. The overall display format is implementation-dependent. A Open Firmware implementation may, at its option, display an abbreviated form of some of the values and may suppress the display of nonprintable characters.
Used as: ok printenv selftest-#megs<eol>
- probe-all** (--)
Probe for all available plug-in devices.
Search for plug-in devices on the system-dependent set of expansion buses, creating device nodes for devices that are located.
NOTE—Undesireable results, such as duplicate device nodes for the same device, might occur if **probe-all** is executed more than once. It is normally executed automatically during system start-up following the evaluation of the *script*, but this automatic execution is disabled if **banner** or **suppress-banner** is executed from the *script*.
- probe-self** (arg-str arg-len reg-str reg-len fcode-str fcode-len --) M
Evaluate FCode as a child of this node.
fcode-string is a *unit address* text string, representing the location of the FCode program for the child device.
reg-string is a *probe-address* text string, representing the location of the child device itself.
arg-string is a *instance-arguments* text string, providing the arguments for the child (which can be retrieved within the child's FCode program with the **my-args** FCode.)
First check to see if there is an FCode program at the indicated location (perhaps by mapping the device and using **cpeek** to ensure that the device is present and that the first byte is a valid FCode start byte). If so, perform the function of **new-device** (thus creating a new device node), then interpret the FCode program, then perform the function of **finish-device**.
If a valid FCode program cannot be located at the indicated address, do not create a new device node.
A typical implementation of **probe-self** might execute **byte-load** and **set-args**.
NOTE—If the FCode program is a standard package, successful completion of **probe-self** will be indicated by the presence of a new device node containing a **"name"** property. If the evaluation of the FCode program fails in some way, the new device node might be empty (containing no properties or methods.)
- .properties** (--)
Display names and values of properties of the *active package*.

property	(prop-addr prop-len name-str name-len --)	F	0x110
<p>Create a new property with the given name and value.</p> <p>If there is a <i>current instance</i>, create a property in the package from which the <i>current instance</i> was created. Otherwise, if there is an <i>active package</i>, create a property in the <i>active package</i>. If there is neither a <i>current instance</i> nor an <i>active package</i>, the result is undefined. The new property's <i>property name</i> is given by <i>name string</i> and its value is given by the <i>prop-encoded-array prop-addr prop-len</i>.</p> <p>If a property with that <i>property name</i> already exists in the package in which the property would be created, replace its value with the new value.</p> <p>See the specifications of individual <code>property</code> for any additional requirements.</p> <p>Used as: <code>55 encode-int " my-property-name" property</code></p>			
pwd	(--)		
<p>Display the device-path that names the <i>active package</i>.</p>			
quit	(--) (R: ... --)	A	
<p>Abort program execution.</p>			
r>	(-- x) (R: x --)	A,F	0x31
<p>Move top return stack item to the stack.</p> <p>Usage restrictions: See ANS Forth return stack restrictions.</p> <p>ANS Forth note: Usage also allowed while interpreting.</p>			
r@	(-- x) (R: x -- x)	A,F	0x32
<p>Copy top return stack item to the stack.</p> <p>Usage restrictions: See ANS Forth return stack restrictions.</p> <p>ANS Forth note: Usage also allowed while interpreting.</p>			
.r	(n size --)	A,F	0x9E
<p>Display a signed number, right-justified.</p>			
>r	(x --) (R: -- x)	A,F	0x30
<p>Move top stack item to the return stack.</p> <p>Usage restrictions: See ANS Forth return stack restrictions.</p> <p>ANS Forth note: Usage also allowed while interpreting.</p>			

“ranges”

S

Standard *property name* to define a device’s physical address.

Buses such as SBus and VMEbus, whose children can be accessed with CPU load-and-store operations (as opposed to buses such as SCSI or IPI, whose children are accessed with a command protocol), require a way to define the relationship between the physical address spaces of the parent and child nodes. The **“ranges”** property provides this capability.

The value of the **“ranges”** property describes the correspondence between the physical address space defined by a bus node (the “child address space”) and the physical address space of that bus node’s parent (the “parent address space”). The **“ranges”** property value is a sequence of

child-phys parent-phys size

specifications. *Child-phys* is an address, encoded as with **encode-phys**, in the child address space. *Parent-phys* is an address (likewise encoded as with **encode-phys**) in the parent address space. *Size* is a list of integers, each encoded as with **encode-int**, denoting the length of the child’s address range. The number of integers in each *size* entry is determined by the value of the **#size-cells** property of *this* node (the node in which the **“ranges”** property appears) or 1 if the **#size-cells** property is absent. The interpretation of *size* is bus-dependent.

Each specification defines a one-to-one correspondence between the child addresses in the range *child-phys..child-phys+size-1* and the parent addresses in the range *parent-phys..parent-phys+size-1*. The address ranges thus described might (and often will) define a sparse address space, i.e., the address ranges need not be consecutive in either the child address space or the parent address space. Successive specifications are encoded one after another. It is recommended, but not required, that the specifications be sorted in ascending order of *child-phys*.

If a **“ranges”** property exists but has a zero-length property value, the child address space is identical to the parent address space.

The absence of a **“ranges”** property for a bus node indicates that there is no direct correspondence between the child address space and the parent address space, e.g., the bus is a command protocol bus such as SCSI.

Example: Suppose that a 4-slot, 28-bit SBus is attached to a machine whose physical address space consists of a 32-bit memory space (*phys.hi=0*) and a 32-bit i/o space (*phys.hi=1*). The SBus slots are numbered 0, 1, 2, and 3, and appear in i/o space at addresses 0x80000000, 0x90000000, 0xA0000000, and 0xB0000000, respectively. The **“ranges”** property for this **“sbus”** device node would contain the encoded form of the following sequence of numbers:

Child Address		Parent Address		Size
phys.hi	phys.lo	phys.hi	phys.lo	
0	0	1	8000.0000	1000.0000
1	0	1	9000.0000	1000.0000
2	0	1	A000.0000	1000.0000
3	0	1	B0000000	1000.0000

See also: **“#size-cells”**.

rb! (FCode function)

(byte addr --)

F

0x231

Store a byte to device register at *addr*.

Data is stored with a single access operation and flushes any intervening write buffers, so that the data reaches its final destination before the next FCode function is executed.

Register is stored with identical bit ordering as the input stack item.

rb! (user interface)

(byte addr --)

Store a byte to device register at *addr*.

Compilation:

(--)

Perform the equivalent of the phrase:

```
h# 231 get-token if execute else compile, then
```

Interpretation:

(byte addr --)

Perform the equivalent of the phrase:

```
h# 231 get-token drop execute
```

NOTE—A bus device can substitute (see **set-token**) a bus-specific implementation of **rb!** for use by its children. This is sometimes necessary to correctly implement its semantics with respect to bit-order and write-buffer flushing. The given user interface semantics of **rb!** ensure that such substitutions are visible at the user interface level.

rb@ (FCode function)	(addr -- byte)	F	0x230
Fetch a byte from device register at <i>addr</i> .			
Data is read with a single access operation.			
Result has identical bit ordering as the original register data.			
rb@ (user interface)	(addr -- byte)		
Fetch a byte from device register at <i>addr</i> .			
Compilation:	(--)		
Perform the equivalent of the phrase:			
h# 230 get-token if execute else compile, then			
Interpretation:	(addr -- byte)		
Perform the equivalent of the phrase:			
h# 230 get-token drop execute			
NOTE —A bus device can substitute (see set-token) a bus-specific implementation of rb@ for use by its children. This is sometimes necessary to correctly implement its semantics with respect to bit-order and write-buffer flushing. The given user interface semantics of rb@ ensure that such substitutions are visible at the user interface level.			
read	(addr len -- actual)	M	
Read device into memory buffer; return actual byte count.			
Read at most <i>len</i> bytes from the device into the memory buffer beginning at <i>addr</i> . Return <i>actual</i> , the number of bytes actually read. If <i>actual</i> is zero or negative, the read operation did not succeed.			
Some standard device types impose additional requirements on their read methods; see the descriptions of various device types (e.g., “ network ”) for more information.			
For some devices, the seek method sets the position for the next read .			
read-blocks	(addr block# #blocks -- #read)	M	
Read <i>#blocks</i> , starting at <i>block#</i> , from device into memory.			
Read <i>#blocks</i> records of length block-size bytes from the device (starting at device block <i>block#</i>) into memory (starting at <i>addr</i>). Return <i>#read</i> , the number of blocks actually read.			
If the device is not capable of random access (e.g., a sequential access tape device), <i>block#</i> is ignored.			
recurse	(... -- ???)	A,C	
Compile recursive call to the command being compiled.			
recursive	(--)	C	
Make current definition visible, for recursive call.			
Compilation:	(--)		
Allow the current definition to be found in the dictionary.			
NOTE —Normally, when a colon definition is being compiled, its name is not visible in the dictionary until the definition is completed. This way a call to that same name finds the previous version, not itself. recursive makes the current definition visible so that subsequent uses of its name compile recursive calls to itself.			

reg (phys.lo ... phys.hi size --) F 0x116

Create the “**reg**” property with the given values.

Shorthand command to create a property in the *active package* whose *property name* is “**reg**” for buses whose “**#size-cells**” value is one.

Equivalent to:

```
>r ( phys.lo ... phys.hi ) encode-phys ( addr len )
r> ( addr1 len1 size ) encode-int ( addr1 len1 addr2 len2 )
  encode+ ( addr len )
  " reg" property
```

The **reg** function creates a “**reg**” property with a single *phys.lo ... phys.hi size* specification. It is not appropriate to use **reg** if the parent specifies a “**#size-cells**” value other than one. To create a “**reg**” property with multiple specifications, the **property** command must be used.

Used as: `my-address 8000 + my-space 40 reg`

See also: “**#address-cells**”, “**reg**”, “**#size-cells**”.

“**reg**” S

Standard *property name* to define the package’s registers.

prop-encoded-array:

Arbitrary number of (*phys-addr size*) pairs.

phys-addr is a (*phys.lo ... phys.hi*) list, encoded with **encode-phys**.

size is a list of integers, each encoded with **encode-int**.

Specifies the range of addressable regions on the device. The “**reg**” property represents the physical address, within its parent node’s address space, of the device associated with the node and also the amount of physical address space consumed by that device. In general, the “**reg**” property of a node can contain several *phys.lo ... phys.hi size* specifications representing several disjoint ranges of physical address space.

The number of integers in each *size* entry is determined by the value of the “**#size-cells**” property in the parent node. If the parent node has no such property, the value is one. The interpretation of the *size* entries is dependent on the parent bus.

phys.lo ... phys.hi is typically obtained by modifying the values obtained from **my-address my-space**, perhaps by adding the offset of device registers to some component of the base address obtained from **my-address my-space**.

Used as (assuming “**#size-cells**” is one):

```
my-address 8000 + my-space encode-phys
40 encode-int encode+
my-address c000 + my-space encode-phys encode+
8 encode-int encode+
" reg" property
```

NOTE—The first specified *phys-addr* becomes the default *unit address* for subsequent instances of this package. This value will be used when a precise specification of this card is required (i.e., device tree specifications). For example, in a device-path of: `/.../.../XYZ.devname@3,2000`, the “3,2000” is the text representation of the first *phys.lo phys.hi* specification in this package’s “**reg**” property declaration.

See also: “**#address-cells**”, **my-unit**, **property**, **reg**, “**#size-cells**”

.registers (--)

Display saved register values.

Display the register values that were in effect when the program state was saved (i.e., when the program was suspended). The exact set of registers displayed, and the format, is ISA-dependent.

“relative-addressing”

S

Standard *property name* to indicate firmware addressing style.

prop-encoded-array:

None; presence or absence of the property conveys the information.

The presence of this property indicates that each device node address is *relative*, i.e., local to the address space defined by the node’s parent. The absence of the property indicates that device node addresses are absolute addresses within the system-wide address space.

This property shall be present within the `/openprom` node (because this specification requires relative device node addresses).

release

(addr ... len ... --)

M

Free (release) addressable resource.

Frees *len ...* (whose format depends on the package) bytes of the addressable resource managed by the package containing this method, beginning at the address *addr ...* (whose format depends on the package), making it available for subsequent use.

See also: `claim`, `alloc-mem`, “available”, `free-mem`

remove-abort

(--)

M

Cease polling for a keyboard abort sequence.

Instruct the device driver to cease periodic polling for a keyboard abort sequence. Executed when the console input device is changed from this device to another.

repeat

(C: orig-sys dest-sys --)

A,T

(--)

Mark end of a `begin...while...repeat` loop. Jump to `begin`.

Compilation:

(C: orig-sys dest-sys --)

Perform the compilation semantics of ANS Forth **REPEAT**. Then, if the current definition is temporary and the depth of the control flow stack is the same as its depth when the temporary current definition was initiated, perform the compilation semantics of `;` and execute the temporary current definition.

Run-time:

(--)

Same as ANS Forth.

Tokenizer equivalent: `bbranch -offset b(>resolve)`

ANS Forth note: Also works outside of a definition.

reset (package method)

(--)

M

Put this device into a quiescent state.

The definition of “quiescent” is device-specific. This method is used primarily for permanently installed devices (which are therefore not probed) that do not automatically assume a quiescent state after a system reset.

The `reset` method is not invoked by any standard Open Firmware functions, but may be explicitly executed for particular “problem” devices in particular Open Firmware implementations.

reset-all

(--)

Reset the machine as if a power-on reset had occurred.

This command is used to initiate a system power-on reset, thus re-initializing the hardware state and Open Firmware’s data structures as if a power-on reset had occurred.

reset-screen	(--)	F	0x158
Perform frame-buffer device initialization.			
reset-screen is one of the defer words of the display device interface. The terminal emulator package executes reset-screen when it has processed a character sequence that calls for resetting the display device to its initial state. The open method that is automatically created by is-install executes reset-screen after executing erase-screen as part of the process of initializing the <i>terminal emulator</i> . is-install automatically creates a “ restore ” method that executes reset-screen .			
Any standard package that uses the terminal emulator package shall, as part of the process of opening the terminal emulator package, set this defer word to a function with the following behavior:			
Put the display device into a state in which display output is visible (e.g., enable video).			
See also: to , fb8-install .			
restore	(--)	M	
Restore device to useable state after unexpected reset.			
On some systems, unexpected system errors result in a bus reset that turns off some devices, but does not necessarily destroy the machine state necessary for debugging the error. In such systems, the system-dependent firmware handler for that reset condition may execute the restore methods of the console input and output devices, in order to re-enable those devices for user interaction and subsequent debugging.			
NOTE— is-install automatically creates an implementation of this method whose behavior is to execute the reset-screen defer word.			
resume	(--)		
Exit from a “subordinate interpreter” back to the stepper.			
This command is used after the f keystroke was used with the stepper.			
return	(--)		
Execute until return from this subroutine.			
ring-bell	(--)	M	
Ring the bell.			
Cause the device to emit a brief audible sound (beep).			
See also: blink-screen .			
r1! (FCode function)	(quad qaddr --)	F	0x235
Store a quadlet to device register at <i>qaddr</i> .			
Data is stored with a single access operation and flushes any intervening write buffers, so that the data reaches its final destination before the next FCode function is executed.			
Register is stored with identical bit ordering as the input stack item.			
r1! (user interface)	(quad qaddr --)		
Store a quadlet to device register at <i>qaddr</i> .			
Compilation:	(--)		
Perform the equivalent of the phrase:			
h# 235 get-token if execute else compile, then			
Interpretation:	(quad qaddr --)		
Perform the equivalent of the phrase:			
h# 235 get-token drop execute			
NOTE— A bus device can substitute (see set-token) a bus-specific implementation of r1! for use by its children. This is sometimes necessary to correctly implement its semantics with respect to bit-order and write-buffer flushing. The given user interface semantics of r1! ensure that such substitutions are visible at the user interface level.			

r1@ (FCode function)	(qaddr -- quad)	F	0x234
Fetch a quadlet from device register at <i>qaddr</i> .			
Data is read with a single access operation.			
Result has identical bit ordering as the original register data.			
r1@ (user interface)	(qaddr -- quad)		
Fetch a quadlet from device register at <i>qaddr</i> .			
Compilation:	(--)		
Perform the equivalent of the phrase:			
h# 234 get-token if execute else compile, then			
Interpretation:	(qaddr -- quad)		
Perform the equivalent of the phrase:			
h# 234 get-token drop execute			
NOTE —A bus device can substitute (see set-token) a bus-specific implementation of r1@ for use by its children. This is sometimes necessary to correctly implement its semantics with respect to bit-order and write-buffer flushing. The given user interface semantics of r1@ ensure that such substitutions are visible at the user interface level.			
roll	(xu ... x1 x0 u -- xu-1 ... x1 x0 xu)	A,F	0x4F
Rotate <i>u</i> +1 stack items as shown.			
For example:			
1 roll <=> swap			
2 roll <=> rot			
rot	(x1 x2 x3 -- x2 x3 x1)	A,F	0x4A
Rotate top three stack items as shown.			
-rot	(x1 x2 x3 -- x3 x1 x2)	F	0x4B
Rotate top three stack items as shown.			
2rot	(x1 x2 x3 x4 x5 x6 -- x3 x4 x5 x6 x1 x2)	A,F	0x56
Rotate three pairs of stack items as shown.			
rshift	(x1 u -- x2)	A,F	0x28
Shift <i>x1</i> right by <i>u</i> bit-places. Zero-fill high bits.			
rw! (FCode function)	(w waddr --)	F	0x233
Store a doublet <i>w</i> to device register at <i>waddr</i> .			
Data is stored with a single access operation and flushes any intervening write buffers, so that the data reaches its final destination before the next FCode function is executed.			
Register is stored with identical bit ordering as the input stack item.			

rw!	(user interface)	(w waddr --)		
	Store a doublet <i>w</i> to device register at <i>waddr</i> .			
	Compilation:	(--)		
	Perform the equivalent of the phrase: h# 233 get-token if execute else compile, then			
	Interpretation:	(w waddr --)		
	Perform the equivalent of the phrase: h# 233 get-token drop execute			
	NOTE —A bus device can substitute (see set-token) a bus-specific implementation of rw! for use by its children. This is sometimes necessary to correctly implement its semantics with respect to bit-order and write-buffer flushing. The given user interface semantics of rw! ensure that such substitutions are visible at the user interface level.			
rw@	(FCode function)	(waddr -- w)	F	0x232
	Fetch a doublet <i>w</i> from device register at <i>waddr</i> .			
	Data is read with a single access operation.			
	Result has identical bit ordering as the original register data.			
rw@	(user interface)	(waddr -- w)		
	Fetch a doublet <i>w</i> from device register at <i>waddr</i> .			
	Compilation:	(--)		
	Perform the equivalent of the phrase: h# 232 get-token if execute else compile, then			
	Interpretation:	(waddr -- w)		
	Perform the equivalent of the phrase: h# 232 get-token drop execute			
	NOTE —A bus device can substitute (see set-token) a bus-specific implementation of rw@ for use by its children. This is sometimes necessary to correctly implement its semantics with respect to bit-order and write-buffer flushing. The given user interface semantics of rw@ ensure that such substitutions are visible at the user interface level.			
s"		([text<">] -- text-str text-len)	A,T	
	Gather the immediately following string.			
	The description of s" in the ANS Forth "File-Access" wordset applies to this standard. At least two temporary buffers, used alternately, shall be provided.			
	Usage restriction: Since an implementation is only required to provide two temporary buffers, a standard program cannot depend on the system's ability to simultaneously maintain more than two distinct interpreted strings. Compiled strings do not have this limitation, since they are not stored in the temporary buffers.			
	Tokenizer equivalent: b(") len-byte xx-byte xx-byte ... xx-byte			
s.		(n --)	T	
	Display a signed number, with a trailing space.			
	Display the number according to the current value in base , with a leading minus sign if necessary.			
	Tokenizer equivalent: (.) type space			
#s		(ud -- 0 0)	A,F	0xC8
	Convert remaining digits in pictured numeric output.			
.s		(... -- ...)	A,F	0x9F
	Display entire stack contents, unchanged.			

sbus-intr>cpu	(sbus-intr# -- cpu-intr#)	F	0x131
<p>Converts SBus interrupt level to CPU interrupt level.</p> <p>For systems with one built-in SBus, return the CPU interrupt level <i>cpu-intr#</i> corresponding to the SBus interrupt level <i>sbus-intr#</i> for that built-in SBus. For other systems, return <i>cpu-intr#</i> equal to <i>sbus-intr#</i>.</p> <p>sbus-intr>cpu is used by some existing FCode drivers for devices that interrupt on more than one SBus interrupt level, to compute the value of the “intr” property. That property has been replaced by the “interrupts” property, which specifies the SBus interrupt level directly, without requiring that it be converted to the corresponding CPU interrupt level. It is not always possible for an SBus node to know the mapping from the SBus level to the CPU level, especially in cases where the SBus node results from a plug-in bridge from some other bus to SBus.</p> <p>This FCode function should be used only by those FCode programs that require compatibility with older SBus systems. It should not be used by FCode programs for non-SBus devices. The specification of this property is included here, rather than in an SBus-specific supplement, because of the possibility that, even on systems that nominally do not support SBus, SBus devices might be used via a bus-to-bus bridge.</p>			
screen-#columns	(-- n)	N	
<p>Maximum number of columns on console output device.</p> <p>Standard display packages use this value to determine the width in characters of their text region. If the device is incapable of displaying that many columns, the device restrictions prevail.</p> <p>Configuration variable type: <i>integer</i>. Suggested default value: 80.</p>			
screen-height	(-- height)	F	0x163
<p>value, return total height of the display in pixels.</p> <p>screen-height is an internal value used by the “fb1” and “fb8” frame-buffer support packages. fb1-install and fb8-install set it to the value of their <i>height</i> argument.</p> <p>A Standard FCode program shall not directly alter its value.</p> <p>NOTE—This function is included for historical compatibility. There is little reason for an FCode program to use it.</p>			
screen-#rows	(-- n)	N	
<p>Maximum number of rows on console output device.</p> <p>Standard display packages use this value to determine the height in text lines of their text region. If the device is incapable of displaying that many rows, the device restrictions prevail.</p> <p>Configuration variable type: <i>integer</i>. Suggested default value: 24.</p>			
screen-width	(-- width)	F	0x164
<p>value, return total width of the display in pixels.</p> <p>screen-width is an internal value used by the “fb1” and “fb8” frame-buffer support packages. fb1-install and fb8-install set it to their <i>width</i> argument.</p> <p>A Standard FCode program shall not directly alter its value.</p> <p>NOTE—This function is included for historical compatibility. There is little reason for an FCode program to use it.</p>			
s>d	(n1 -- d1)	A	
<p>Convert a number to a double number.</p>			
security-#badlogins	(-- n)	N	
<p>Contain total count of invalid security access attempts.</p> <p>This counter is incremented by one, whenever a bad password is entered when attempting to enter the command interpreter while security-mode is set (to either command mode or full mode).</p> <p>The value in security-#badlogins is not affected by the set-default or set-defaults commands.</p> <p>Configuration variable type: <i>integer</i>. There is no suggested default value.</p>			

- security-mode** (-- n) N
Contain level of security access protection.
Security mode requires user knowledge of a password to allow use of most commands through the command interpreter.
Used as: `ok setenv security-mode full`
The following keywords denote the security levels:
none No security, no password required.
command Requires password entry to execute any command except for **go**, **boot** (default device and default file), or automatic boot after system power-on or **boot** call.
full Requires password entry to execute any command except for **go** command. Automatic booting is disabled, machine will not automatically reboot after a power failure.
The value of **security-mode** is not affected by the **set-default** or **set-defaults** commands.
Configuration variable type: *security-mode*. There is no suggested default value.
NOTE—It is not possible to determine the level of security protection from within a program, as the value *n* returned by this command cannot be related unambiguously to the security level keywords.
- security-password** (-- password-str password-len) N
Contain security password text string.
The value of **security-password** shall not be displayed when **printenv** is executed. The value of **security-password** is not affected by the **set-default** or **set-defaults** commands. If the value is set to a value that contains fewer characters than its prior value, the remaining characters of the prior value should be set to zero to prevent accidental discovery of a prior password.
Configuration variable type: *string[8]*. There is no suggested default value.
NOTE—The value of **security-password** is normally set with the **password** command, although **setenv** can also be used.
- see** ("old-name<>" --) A
Decompile the Forth command *old-name*.
Used as: `ok see old-name`
- (**see**) (xt --)
Decompile the Forth command whose execution token is *xt*.
Used as: `['] old-name (see)`
- seek** (pos.lo pos.hi -- status) M
Set device position for next **read** or **write**.
Set the device position at which the next **read** or **write** will take place. The position is specified by a pair of numbers *pos.lo pos.hi*, whose interpretation depends on the device type. Return `-1` if the operation fails and either zero or one if it succeeds.
NOTE—The return value one (1) is meant as a concession to existing practice. Programs that use the **seek** method should treat either of the status values 0 or 1 as an indication of success.
- selftest** (-- 0 | error-code) M
Perform self-test for this device.
Return 0 if successful, a device-specific nonzero error number if an error is detected. The complexity of this test will typically be much greater than that of the test performed when **open** is called.
This method is typically invoked by the user commands **test** or **test-all**, via **execute-device-method**. Consequently, the package's **open** method has not necessarily been executed before **selftest** is invoked. (**execute-device-method** does not call **open**, but it is possible for the device to have already been previously opened.) **selftest** should leave the device in a state similar to that before **selftest** was executed. Therefore, **selftest** is responsible for establishing any device state necessary to perform its function prior to starting the tests and for releasing any resources that were allocated during the process after completing the tests.
The extent of the testing performed by **selftest** may depend on the value returned by **diagnostic-mode?**; if so, more extensive testing shall be performed when **diagnostic-mode?** return **true**.

- selftest-#megs** (-- n) N
Number of megabytes of memory to test.
The **selftest** routine of the “memory” node (the node whose *ihandle* is given by the value of /chosen’s “memory” property) is a memory test. In most systems that memory test is automatically executed after the secondary diagnostics. (Some smaller portion of memory is usually tested by POST, as well.) **selftest-#megs** controls the extent of memory **selftest**. If **diagnostic-mode?** is true, the system may ignore the value of **selftest-#megs**.
Configuration variable type: *integer*. Suggested default value: 1.
- “**serial**” S
Byte-oriented device type such as a serial port.
Standard string value of the “**device_type**” property for serial devices.
A standard package with this “**device_type**” property value shall implement the following methods.
open, close, read, write, install-abort, remove-abort
A standard package with this “**device_type**” property value should implement the following method if an unexpected system reset can cause the display to become invisible (e.g., the video is turned off) and the display can be restored to visibility without performing memory mapping or memory allocation operations:
restore
A standard package with this “**device_type**” property value should implement the following method if the device has an audible annunciator that requires some action other than sending an ASCII BEL character in order to make it emit a beep:
ring-bell
A standard package with this “**device_type**” property value may implement additional device-specific methods.
Additional requirements for the **read** method:
Receive a number of bytes equal to the minimum of *len* and the number of bytes available for immediate reception, from the device into memory starting at *addr*. Return *actual*, the number of bytes read, or -2 if no bytes are currently available from that device.
See also: character-set
- set-args** (arg-str arg-len unit-str unit-len --) F 0x23F
Set address and arguments of new device node.
unit-string is a text string representation of a physical address within the address space of the parent device. Translate *unit-string* to the equivalent numerical representation by executing the parent instance’s “**decode-unit**” method. Set the current instance’s *probe-address* (i.e., the values returned by **my-address** and **my-space**) to that numerical representation.
Copy the string *arg-string* to instance-specific storage, and arrange for **my-args** to return the address and length of that copy when executed from the current instance.
NOTE—**set-args** is typically used just after **new-device**. **new-device** creates and selects a new device node, and **set-args** sets its *probe-address* and arguments. Subsequently, the device node’s properties and methods are created by interpreting an FCode program with **byte-load** or by interpreting Forth source code.
NOTE—The empty string (any string of zero length) is commonly used as the arguments for a new device node, for example: 0 0 " 3,2000" set-args
- set-default** ("param-name<eol>" --)
Set *configuration variable* to default value.
Used as: ok set-default nv-name <eol>
Some *configuration variables* are unaffected by **set-default**, as noted in individual *configuration variable* command descriptions.
- set-defaults** (--)
Reset most *configuration variables* to their default values.
Some *configuration variables* are unaffected by **set-defaults**, as noted in individual *configuration variable* command descriptions.

setenv ("nv-param<>new-value<eol>" --)

Set the *configuration variable* *nv-param* to the indicated value.

Skip leading space delimiters. Parse *nv-param* delimited by a space. Parse *new-value* as the remainder of the input buffer minus leading and trailing white space.

If *new-value* is the empty string, display an error message and return.

Otherwise, perform the equivalent of **\$setenv**, with string arguments denoting *new-value* and *new-value*.

See Also: **\$setenv**, 7.4.4.1.

Used as:

```
ok setenv auto-boot? true <eol>
ok setenv selftest-#megs 55 <eol>
ok setenv oem-banner This.Is also22 more-text4 <eol>
```

The stored string in this case is "This.Is also22 more-text4".

\$setenv (data-addr data-len name-str name-len --)

Set the configuration variable name string to new value.

data-addr,len is a string of characters or bytes representing the new value for the configuration variable whose name is given by *name-str,len*. Interpret that new value according to the input text representation of that configuration variable's configuration variable data type. If the given value string is not suitable for that data type, display an error message.

Otherwise, set the configuration variable to that new value, truncating it to fit the available space if necessary, and then display the output text representation of that configuration variable's value.

See Also: **setenv**, 7.4.4.1.

Used as: " new-value" " nv-name" \$setenv

set-font (addr width height advance min-char #glyphs --) F 0x16B

Set the current font as specified.

The font is used by the "fb1" and "fb8" frame-buffer support packages.

Set **char-height** to *height*, **char-width** to *width*, and **fontbytes** to *advance*. Configure the subsequent behavior of **>font** to access the font described by the arguments, according to the font data structure specified below.

The font is a fixed width monochrome character font. The glyphs in the font are represented as follows: A glyph is represented by a series of horizontal scan line images, from top to bottom. The sets of scan line images representing the glyphs for successive characters are placed one after the other in character order.

addr is the address of the font. *width* is the glyph width, in pixels. *height* is the glyph height, in scan lines.

advance is the distance in bytes between the successive scan lines of a glyph. Typically, it is $((width + 15)/16) * 2$, i.e., the storage area for a scan line is padded out to a doublet boundary.

min-char is the character number of the first glyph in the font.

#glyphs is the number of glyphs represented in the font.

The number of scan lines images in each glyph is one less than the height. The missing scan line image is assumed to contain all zeroes. The top scan line image for each glyph must contain all zeroes.

set-token (xt immediate? fcode# --) F 0xDB

Assign FCode number to existing function.

Assign the FCode number *fcode#* to the FCode function whose execution token is *xt*, with compilation behavior specified by *immediate?* as follows. If *immediate?* is zero, then the FCode evaluator will execute the function's execution semantics if it encounters that FCode number while in interpretation state, or append those execution semantics to the current definition if it encounters that FCode number while in compilation state. If *immediate?* is nonzero, the FCode evaluator will execute the functions's FCode evaluation semantics anytime it encounters that FCode number.

show-devs ("{device-specifier}<eol>" --)

Show all devices beneath the indicated node.

Skip leading space delimiters. Parse *device-specifier* delimited by a space. Discard the remainder of the command line.

Show the full device path for each device in the subtree of the device tree underneath the specified node. The search process by which the specified node is located is as defined in 4.3, using the rules given for **find-device**. If *device-specifier* is the empty string (i.e., there is nothing on the command line following **show-devs**), show all system devices.

Used as: ok show-devs device-alias <eol>

showstack	(--)		
Turn on automatic stack display.			
Display entire stack, with a format similar to the .s command, just before each ok prompt.			
This feature is be turned off with the noshowstack command. The system default is noshowstack .			
Typical implementation: ['] .s is status			
See: noshowstack .			
\$sift	(text-addr text-len --)		
Display all command-names containing <i>text-string</i> .			
Search the current vocabulary and display the names of all commands which include the specified <i>text-string</i> as part of the command-name. Upper and lowercase distinctions are ignored. This command is useful for finding all commands of a particular "type", or for finding any command where the name is only partially known.			
Used as: " ing" \$sift			
sifting	("text<>" --)		
Display all command-names containing <i>text</i> .			
Used as: ok sifting text<space>			
See: \$sift for more information.			
sign	(n --)	A,F	0x98
If $n < 0$, insert "-" in pictured numeric output.			
"#size-cells"			S
Standard <i>property name</i> to define the package's address <i>size</i> format.			
<i>prop-encoded-array:</i> Number encoded as with encode-int .			
This property applies to bus nodes. The property value specifies the number of cells that that are used to encode the size field of a child's " reg " format property. A missing " #size-cells " property signifies the default value of one. Plug-in devices shall use the value specified for that bus, and if unspecified, shall use the default value of one.			
For a given bus, the value of this property should be the same on all machines for which that bus could possibly be used, even if those machines do not all have the same cell size. Consequently, the value of the property is determined in part by the smallest cell size among all the machines to which the bus can apply.			
sm/rem	(d n -- rem quot)	A	
Divide <i>d</i> by <i>n</i> , symmetric division.			
source	(-- addr len)	A	
Return the location and size of the input buffer.			
space	(--)	A,T	
Display a single space.			
Tokenizer equivalent: bl emit			
spaces	(cnt --)	A,T	
Display <i>cnt</i> spaces.			
Tokenizer equivalent: 0 max 0 ?do space loop			
span	(-- a-addr)	A,F	0x88
variable containing number of characters received by expect .			

start0	(--)	F	0xF0
Begin program with <i>spread</i> 0. Followed by <i>FCode-header</i> .			
Set the <i>spread</i> value to zero, thus causing the FCode evaluator to read all bytes of the current FCode program from the same address. Set the size of <i>FCode-offsets</i> to 16 bits. Read an <i>FCode-header</i> from the current FCode program and either discard it or use it to verify the integrity of the current FCode program in an implementation-dependent manner.			
FCODE ONLY (the first byte of an FCode program)			
start1	(--)	F	0xF1
Begin program with <i>spread</i> 1. Followed by <i>FCode-header</i> .			
Set the <i>spread</i> value to one, thus causing the FCode evaluator to read bytes of the current FCode program from locations one address unit apart. Set the size of <i>FCode-offsets</i> to 16 bits. Read an <i>FCode-header</i> from the current FCode program and either discard it or use it to verify the integrity of the current FCode program in an implementation-dependent manner.			
FCODE ONLY (the first byte of an FCode program)			
start2	(--)	F	0xF2
Begin program with <i>spread</i> 2. Followed by <i>FCode-header</i> .			
Set the <i>spread</i> value to two, thus causing the FCode evaluator to read bytes of the current FCode program from locations two address unit apart. Set the size of <i>FCode-offsets</i> to 16 bits. Read an <i>FCode-header</i> from the current FCode program and either discard it or use it to verify the integrity of the current FCode program in an implementation-dependent manner.			
FCODE ONLY (the first byte of an FCode program)			
start4	(--)	F	0xF3
Begin program with <i>spread</i> 4. Followed by <i>FCode-header</i> .			
Set the <i>spread</i> value to four, thus causing the FCode evaluator to read bytes of the current FCode program from locations four address unit apart. Set the size of <i>FCode-offsets</i> to 16 bits. Read an <i>FCode-header</i> from the current FCode program and either discard it or use it to verify the integrity of the current FCode program in an implementation-dependent manner.			
FCODE ONLY (the first byte of an FCode program)			
state	(-- a-addr)	A,F	0xDC
variable containing true if in compilation state.			
state-valid	(-- a-addr)		
variable containing true if <i>saved-program-state</i> is valid.			
Contains true if <i>saved-program-state</i> is valid, false otherwise. Set to true by the init-program command and by actions that result in the saving of program state.			
<i>saved-program-state</i> must be valid in order for execution with go to perform properly.			
status	(--)		
defer word that can be used to modify the user interface prompt.			
This is a defer word, initially vectored to noop , which can be used to display whatever additional information the user wishes to see with each prompt.			
Example:			
The following example illustrates a way to show the current numeric base, in parentheses, on the prompt line.			
: showbase (--) ." (" base @ .d .") " ;			
['] showbase to status			
To return to the default condition use the following:			
['] noop to status			

- “status”** S
Standard *property name* to indicate the operational status of this device.
prop-encoded-array:
Text string, encoded with **encode-string**.
If this property is present, the value is a string indicating the status of the device, as follows:
“okay”
The device is believed to be operational.
“disabled”
The device represented by this node is not operational, but it might become operational in the future (e.g., an external switch is turned off, or something isn’t plugged in.)
“fail”
The device represented by this node is not operational because a fault has been detected, and it is unlikely that the device will become operational without repair. No additional failure details are available.
“fail-xxx”
The device represented by this node is not operational because a fault has been detected, and it is unlikely that the device will become operational without repair. “xxx” is additional human-readable information about the particular fault condition that was detected.
The absence of this property means that the operational status is unknown or okay.
- stdin** (-- a-addr)
variable containing the *ihandle* of the console input device.
- “stdin”** S
Standard *property name* containing the *ihandle* of the console input device.
prop-encoded-array:
Integer, encoded with **encode-int**.
This property appears in the /**chosen** node.
- stdout** (-- a-addr)
variable containing the *ihandle* of the console output device.
- “stdout”** S
Standard *property name* containing the *ihandle* of the console output device.
prop-encoded-array:
Integer, encoded with **encode-int**.
This property appears in the /**chosen** node.
- step** (--)
Executes a single machine-code instruction.
Resume client program execution as with **go**, but only execute one instruction. The effect is as if breakpoints were established at the possible successors to that instruction and then automatically removed when the breakpoint is handled.
- .step** (--)
Action performed when a single **step** occurs.
Execute this command whenever a single step occurs. The default behavior is the **.instruction** command.
.step is a **defer** command, alterable with the **to** command. For example, to display registers at every single step.
Use as: ['] **.registers to .step**

stepping	(--)		
Set “step mode” (default) for Forth source-level debugging.			
This mode allows interactive step-by-step execution of the command being debugged. “Step mode” is the default.			
While in “step mode”, before the execution of each command called by the debugged command, prompt the user for one of a number of keystrokes. See 7.5.3.4 for a list of these keystrokes.			
See: debug for more information.			
steps	(n --)		
Execute step <i>n</i> times.			
struct	(-- 0)	T	
Start a struct . . . field definition.			
Initialize a structure definition, for use with field commands. Leave a zero on the stack to define the initial offset.			
Tokenizer equivalent: 0			
See: field for more information.			
suppress-banner	(--)		
Abbreviate system start-up sequence in the <i>script</i> .			
If executed within the <i>script</i> , suppress automatic execution of the following Open Firmware start-up sequence:			
probe-all install-console banner			
suppress-banner is useful for creating custom banners with commands in the <i>script</i> , as it suppresses the default system banner.			
See also: banner .			
suspend-fcode	(--)	F	0x215
Pause FCode evaluation if desired; can resume later.			
Advise the FCode evaluator that the device identification properties for the <i>active package</i> have been declared and that it is safe to postpone the evaluation of the remainder of the package.			
If the FCode evaluator chooses to postpone (suspend) evaluation, it saves the state of the evaluation process necessary for later resumption of the process.			
Usage restriction: “ name ”, “ reg ” and “ device_type ” properties must exist in the <i>active package</i> before this command is executed.			
This feature is intended to save memory space and reduce the system start-up time by preventing the compilation of FCode drivers that are not actually used.			
swap	(x1 x2 -- x2 x1)	A,F	0x49
Exchange top two stack items.			
2swap	(x1 x2 x3 x4 -- x3 x4 x1 x2)	A,F	0x55
Exchange top two pairs of stack items.			
sym	("name<>" -- n)		
Return value of client program symbol “name”.			
Parse <i>name</i> delimited by a space. If sym>value returns false , perform the function of abort . Otherwise, return the symbol value <i>n</i> corresponding to that symbol name.			

sym>value (addr len -- addr len false | n true)

defer word to resolve symbol names.

This **defer** command is executed when the symbolic debugger needs to translate a symbol name into its corresponding value. If **sym>value** is present, the Forth interpreter attempts to perform such translation if a word is neither found in the normal dictionary search nor recognized as number. The translation is also attempted by **sym**.

If a symbol whose name matches the string given by *addr len* is defined, **sym>value** returns the corresponding symbol value and **true**. Otherwise, **sym>value** returns its *addr len* arguments and **false**.

The default action for **sym>value**, when no symbol table is present, is the action of **false**. A program can provide a symbol table and use **to** to install a command to search that symbol table into **sym>value**.

sync (--)

Flush system file buffers, after a program interrupt.

Equivalent to: `callback sync <eol>`

The suggested callback behavior of the **sync** command is to flush system file buffers. This is often used after a client program has been forcibly interrupted by aborting to the Open Firmware.

test ("device-specifier<eol>" --)

Invoke the **selftest** routine for the specified device.

If the device node specified by *device-specifier* has a **selftest** method, invoke it with **execute-device-method**. Otherwise display an error message.

NOTE—The self-test routine that is executed might display device-specific error messages.

Used as: `ok test device-alias <eol>`

test-all ("{device-specifier}<eol>" --)

Invoke **selftest** routines at and below specified node.

For each node in the subtree of the device tree at and below the specified node, or the root node if no node is specified: If the node has a **selftest** method, invoke it with **execute-device-method**.

NOTE—The **selftest** routines that are executed might display device-specific error messages.

The system may choose not to test certain active devices that it believes are “unsafe” to test while active.

Used as: `ok test-all device-alias <eol>`

then (C: orig-sys --) A,T
(--)

Terminate an **if** statement.

Compilation: (C: orig-sys --)

Perform the compilation semantics of ANS Forth **THEN**. Then, if the current definition is temporary and the depth of the control flow stack is the same as its depth when the temporary current definition was initiated, perform the compilation semantics of **;** and execute the temporary current definition.

Run-time: (--)

Same as ANS Forth.

ANS Forth note: Also works outside of a definition.

throw (... error-code -- ??? error-code | ...) A,F 0x218

Transfer back to **catch** routine if *error-code* is nonzero.

The value of **my-self** shall be restored from the exception frame.

ANS Forth note: also restores **my-self**.

till (addr --)

Execute until the given address.

Equivalent to: `+bp go`

to	(param [old-name<>] --)	A,T	
Change value or defer or machine register contents.			
Tokenizer equivalent: b(to) old-FCode#			
ANS Forth note: to can be used with other word types (defer words and machine register names) in addition to those specified in ANS Forth.			
Used as: 55 to #lines			
toggle-cursor	(--)	F	0x159
defer , toggle the state of the text cursor.			
toggle-cursor is one of the defer words of the display device interface. The terminal emulator package executes toggle-cursor when it is about to process a character sequence that might involve screen drawing activity, and executes it again after it has finished processing that sequence. The first execution removes the cursor from the screen so that any screen drawing will not interfere with the cursor, and the second execution restores the cursor, possibly at a new position, after the drawing activity related to that character sequence is finished. toggle-cursor is also called once during the <i>terminal emulator</i> initialization sequence.			
Any standard package that uses the terminal emulator package shall, as part of the process of opening the terminal emulator package, set this defer word to a function with the following behavior:			
If the text cursor is on, turn it off. If the text cursor is off, turn it on. (On a bit-mapped display, a typical implementation of this function inverts the pixels of the character cell to the right of the current cursor position.)			
If the display device hardware has internal state (for example color map settings) that might have been changed by external software without firmware's knowledge, that hardware state should be re-established to the state that the firmware device driver requires when the cursor is toggled to the off state (which indicates that firmware drawing operations are about to begin). This situation can occur, for example, when an operating system is using a display device, but that operating system uses firmware text output services from time to time, e.g., for critical warning messages.			
See also: to , fb8-install .			
tracing	(--)		
Set "trace mode" for Forth source-level debugging.			
This mode causes execution of the word being debugged to be traced, showing the name and stack contents for each command called by the debugged command.			
Continue tracing until stepping is executed or a system reset takes place.			
See: debug for more information.			
-trailing	(str len1 -- str len2)	A	
Remove trailing spaces from string.			
translate	(virt -- false phys.lo ... phys.hi mode true)	M	
Translate virtual address to physical address.			
If a valid virtual to physical translation exists for the virtual address <i>virt</i> , return the physical address <i>phys.lo ... phys.hi</i> , the translation mode <i>mode</i> , and <i>true</i> . Otherwise return <i>false</i> . The physical address format is the same as that of the "memory" node (the node whose <i>ihandle</i> is given by the value of <i>/chosen</i> 's "memory" property). The interpretation of <i>mode</i> is implementation dependent.			
true	(-- true)	A,T	
Return the value true (negative one).			
Tokenizer equivalent: -1			
tuck	(x1 x2 -- x2 x1 x2)	A,F	0x4C
Copy top stack item underneath the second stack item.			
type	(text-str text-len --)	A,F	0x90
Display <i>text-len</i> characters beginning at address <i>text-str</i> .			

u#	(u1 -- u2)	F	0x99
Convert a digit in pictured numeric output conversion.			
Divide <i>u1</i> by base . Leave the quotient on the stack as <i>u2</i> . Convert the remainder digit to a printable character representation and add it to the text string with the hold command.			
See: (.) and (u .) for examples of use.			
u#>	(u -- str len)	F	0x97
End pictured numeric output conversion.			
Leave the text string on the stack, suitable for use with type .			
See: (.) and (u .) for examples of use.			
u#s	(u1 -- u2)	F	0x9A
Convert remaining digits in pictured numeric output.			
Repeat the u# operation until the quotient is zero.			
See: (.) and (u .) for examples of use.			
u*	(u1 u2 -- uprod)		
Multiply <i>u1</i> by <i>u2</i> yielding <i>uprod</i> , all unsigned.			
u.	(u --)	A,F	0x9B
Display an unsigned number, with a trailing space.			
u<	(u1 u2 -- unsigned-less?)	A,F	0x40
Return true if <i>u1</i> is less than <i>u2</i> , unsigned.			
u<=	(u1 u2 -- unsigned-less-or-equal?)	F	0x3F
Return true if <i>u1</i> less or equal to <i>u2</i> , unsigned.			
u>	(u1 u2 -- unsigned-greater?)	A,F	0x3E
Return true if <i>u1</i> is greater than <i>u2</i> , unsigned.			
u>=	(u1 u2 -- unsigned-greater-or-equal?)	F	0x41
Return true if <i>u1</i> greater or equal to <i>u2</i> , unsigned.			
(u .)	(u -- str len)	T	
Convert an unsigned number into a text string.			
Perform the conversion according to the value in base .			
Tokenizer equivalent: <# u#s u#>			
u2/	(x1 -- x2)	F	0x58
Shift <i>x1</i> right by one bit-place. Zero-fill high bit.			
um*	(u1 u2 -- ud.prod)	A,F	0xD4
Unsigned multiply with unsigned double-number product.			
um/mod	(ud u -- urem uquot)	A,F	0xD5
Divide <i>ud</i> by <i>u</i> .			

u/mod	(u1 u2 - urem uquot)	F	0x2B
Divide <i>u1</i> by <i>u2</i> , both unsigned.			
unaligned-l!	(quad addr --)		
Store quadlet to <i>addr</i> , any alignment is allowed.			
unaligned-l@	(addr -- quad)		
Fetch quadlet from <i>addr</i> , any alignment is allowed.			
unaligned-w!	(w addr --)		
Store doublet <i>w</i> to <i>addr</i> , any alignment is allowed.			
unaligned-w@	(addr -- w)		
Fetch doublet <i>w</i> from <i>addr</i> , any alignment is allowed.			
unloop	(--) (R: sys --)	A,F	0x89
Discard loop control parameters.			
ANS Forth note: Also works outside of a definition.			
unmap	(virt len ... --)	M	
Invalidate existing address translation.			
Invalidates any existing address translation for the region of virtual address space beginning at <i>virt</i> and continuing for <i>len</i> ... (whose format depends on the package) bytes. unmap does not free either the virtual address space (as with the release standard method) or any physical memory that was associated with <i>virt</i> .			
If the operation fails for any reason, uses throw to signal the error.			
until	(C: dest-sys --) (done? --)	A,T	
End a begin . . . until loop. Exit loop if flag is nonzero.			
Compilation:	(C: dest-sys --)		
Perform the compilation semantics of ANS Forth UNTIL . Then, if the current definition is temporary and the depth of the control flow stack is the same as its depth when the temporary current definition was initiated, perform the compilation semantics of ; and execute the temporary current definition.			
Run-time:	(done? --)		
Same as ANS Forth.			
Tokenizer equivalent:	b?branch -offset		
ANS Forth note: Also works outside of a definition.			
upc	(char1 -- char2)	F	0x81
Convert ASCII <i>char1</i> to uppercase.			
Convert input values between 0x61 and 0x7A (ASCII a-z) to 0x41 through 0x5A (ASCII A-Z). All other input values are unchanged.			
u.r	(u size --)	A,F	0x9C
Display an unsigned number, right-justified.			
use-nvramrc?	(-- enabled?)	N	
If true , the <i>script</i> is evaluated at system start-up.			
If false , the <i>script</i> is not evaluated.			
Configuration variable type: <i>Boolean</i> . Suggested default value: false .			

user-abort	(... --) (R: ... --)	F	0x219
After alarm routine is finished, abort program execution.			
Used within an alarm routine to signify that the user has typed an abort sequence. When the alarm routine finishes, instead of returning to the program that was interrupted by the execution of the alarm routine, enter the command interpreter by calling the abort command.			
value	(E: -- x) (x "new-name<>" --)	A,T	
Create a named variable, change with to .			
Tokenizer equivalent: new-token named-token external-token b(value)			
ANS Forth/tokenizer difference: In FCode source, value cannot appear inside a colon definition.			
value>sym	(n1 -- n1 false n2 addr len true)		
Defer word to resolve symbol values.			
This defer command is executed when the symbolic debugger needs to translate a symbol value into its corresponding name. If value>sym is present, the disassembler attempts to perform such translation to display symbolic representations of the addresses that it displays. The translation is also attempted by .adr .			
If the symbol table contains a symbol whose value is sufficiently close to, but not greater than, the value <i>n1</i> , value>sym returns the string <i>addr len</i> representing the name of that symbol, the non-negative difference <i>n2</i> between the symbol value and <i>n1</i> , and true . Otherwise, value>sym returns its <i>n1</i> argument and false .			
The default action for value>sym , when no symbol table is present, is the action of false . A program can provide a symbol table and use to to install a command to search that symbol table into value>sym .			
variable	(E: -- a-addr) ("new-name<>" --)	A,T	
Create a named variable. <i>new-name</i> returns address <i>a-addr</i> .			
Tokenizer equivalent: new-token named-token external-token b(variable)			
ANS Forth/tokenizer difference: In FCode source, variable cannot appear inside a colon definition.			
version1	(--)	F	0xFD
Begin program with <i>spread</i> 1. Followed by <i>FCode-header</i> .			
Set the <i>spread</i> value to one, thus causing the FCode Evaluator to read bytes of the current FCode program from locations one address unit apart. Set the size of <i>FCode-offsets</i> to 8 bits. Read an <i>FCode-header</i> from the current FCode program and either discard it or use it to verify the integrity of the current FCode program in an implementation-dependent manner.			
FCODE ONLY			
w!	(w waddr --)	F	0x74
Store doublet <i>w</i> to <i>waddr</i> .			
See: rw!			
w,	(w --)	F	0xD1
Compile a doublet <i>w</i> into the dictionary (doublet-aligned).			
Allocate two bytes (with allot) at the current top of the dictionary and store the value <i>w</i> into that space. The dictionary pointer must have been doublet-aligned.			
w@	(waddr -- w)	F	0x6F
Fetch doublet <i>w</i> from <i>waddr</i> .			
See: rw@			
/w	(-- n)	F	0x5B
The number of address units to a doublet: typically, two.			

CORE REQUIREMENTS AND PRACTICES		IEEE Std 1275-1994
/w* Multiply <i>nu1</i> by the value of <i>/w</i> .	(<i>nu1</i> -- <i>nu2</i>)	F 0x67
<w@ Fetch doublet from <i>waddr</i> , sign-extended.	(<i>waddr</i> -- <i>n</i>)	F 0x70
wa+ Increment <i>addr1</i> by <i>index</i> times the value of <i>/w</i> .	(<i>addr1</i> <i>index</i> -- <i>addr2</i>)	F 0x5F
wal+ Increment <i>addr1</i> by the value of <i>/w</i> .	(<i>addr1</i> -- <i>addr2</i>)	F 0x63
wbflip Swap the bytes within a doublet. The high bits of the input doublet must be zero.	(<i>w1</i> -- <i>w2</i>)	F 0x80
wbflips Swap the bytes within each doublet in the given region. The region begins at <i>waddr</i> and spans <i>len</i> bytes. The behavior is undefined if <i>len</i> is not a multiple of <i>/w</i> .	(<i>waddr</i> <i>len</i> --)	F 0x236
wbsplit Split a doublet <i>w</i> into two bytes. The high bits of each of the two bytes are zero.	(<i>w</i> -- <i>b1.lo</i> <i>b2.hi</i>)	F 0xAF
while Mark first clause of a begin...while...repeat loop. Tokenizer equivalent: <code>b?branch +offset</code> ANS Forth note: Also works outside of a definition.	(C: <i>dest-sys</i> -- <i>orig-sys</i> <i>dest-sys</i>) (<i>continue?</i> --)	A,T
window-left <i>value</i> , return window left border in pixels. window-left is a value that is used by the “ fb1 ” and “ fb8 ” frame-buffer support packages. It denotes the width in pixels of the border at the left of the screen, before the first pixel that is part of the text region. window-left is set automatically by the execution of either fb1-install or fb8-install , so as to center the text region on the screen. A standard package that uses one of those frame-buffer support packages can subsequently alter its value in order to move the text region to some screen location other than its normal centered position.	(-- <i>border-width</i>)	F 0x166
window-top <i>value</i> , return window top border in pixels. window-top is a value that is used by the “ fb1 ” and “ fb8 ” frame-buffer support packages. It denotes the number of display scan lines in the border at the top of the screen, before the first scan line that is part of the text region. window-top is set automatically by the execution of either fb1-install or fb8-install , so as to center the text region on the screen. A standard package that uses one of those frame-buffer support packages can subsequently alter its value in order to move the text region to some screen location other than its normal centered position.	(-- <i>border-height</i>)	F 0x165
within Return true if <i>n</i> is between <i>min</i> and <i>max</i> -1, inclusive.	(<i>n</i> <i>min</i> <i>max</i> -- <i>min</i> <= <i>n</i> < <i>max</i> ?)	A,F 0x45

wljoin	(w.lo w.hi -- quad)	F	0x7D
Join two doublets to form a quadlet.			
The high bits of each of the two doublets must be zero.			
write	(addr len -- actual)	M	
Write memory buffer to device; return actual byte count.			
Write <i>len</i> bytes to the device from the memory buffer beginning at <i>addr</i> . Return <i>actual</i> , the number of bytes actually written. If <i>actual</i> is less than <i>len</i> , the write did not succeed.			
For some devices, the seek method sets the position for the next write .			
write-blocks	(addr block# #blocks -- #written)	M	
Write <i>#blocks</i> from memory into device, starting at <i>block#</i> .			
Write <i>#blocks</i> records of length block-size bytes from memory (starting at <i>addr</i>) to the device (starting at device block <i>block#</i>). Return <i>#written</i> , the number of blocks actually written.			
If the device is not capable of random access (e.g., a sequential access tape device), <i>block#</i> is ignored.			
word	(delim "<delims>text<delim>" -- pstr)	A	
Parse text from the input buffer, delimited by <i>delim</i> .			
words	(--)	A	
Display the names of methods or commands.			
If there is an <i>active package</i> , display the names of its methods. Otherwise, display an implementation-dependent subset (preferably the entire set) of the globally visible Forth commands. In either case, the order of display is to display more recently defined names before less recently defined names.			
wpeek	(waddr -- false w true)	F	0x221
Attempt to fetch the doublet <i>w</i> at <i>waddr</i> .			
Return the data and true if the access was successful. A false return indicates that a read access error occurred.			
wpoke	(w waddr -- okay?)	F	0x224
Attempt to store the doublet <i>w</i> to <i>waddr</i> .			
Return true if the access was successful. A false return indicates that a write access error occurred.			
xor	(x1 x2 -- x3)	A,F	0x25
Return bitwise logical "exclusive-or" of <i>x1</i> and <i>x2</i> .			

Annex B

Open Firmware terminal emulator control sequences

(normative)

B.1 Introduction

The *terminal emulator support package* implements an ANSI X3.64 terminal (as specified in ANSI X3.64-1979).

The terminal emulator support package shall interpret the command sequences in the the required subclause, B.2. It should interpret the command sequences in the recommended subclause, B.3. It may interpret and implement additional implementation-dependent command sequences. It shall ignore syntactically valid ANSI X3.64 escape sequences whose behavior it does not implement. It shall display any printable character that is not part of an escape sequence using **draw-character** , then shall advance the cursor to the next column as follows:

If the value of **column#** is less than the value of **#columns**, add one to **column#**.

Otherwise, perform the functions of “Return” and “Line-feed” as described below.

Notation:

“ESC” represents the “Escape” character (0x1B).

“#” represents an optional numeric parameter.

Other characters represent themselves.

B.2 Required command sequences

The definitions of the following sequences are as given in ANSI X3.64-1979. The terminal emulator state variables that are affected and the display device low-level interfaces that are used to implement each command are listed after the command.

Sequence	ANSI X3.64 Mnemonic	Affected Words
ESC[#A	Cursor up (CUU)	Affects: line#
ESC[#B	Cursor down (CUD)	Affects: line#
ESC[#C	Cursor forward (CUF)	Affects: column#
ESC[#D	Cursor backward (CUB)	Affects: column#
ESC[#E	Cursor next line (CNL)	Affects: line#
ESC[#1 ; #2 f	Cursor position (CUP)	Affects: line# and column#
ESC[#1 ; #2 H	Cursor position (CUP)	Affects: line# and column#
ESC[J	Erase in display (ED)	Uses: delete-characters and delete-lines
ESC[K	Erase in line (EL)	Uses: delete-characters
ESC[#L	Insert line (IL)	Uses: insert-lines
ESC[#M	Delete line (DL)	Uses: delete-lines
ESC[#@	Insert character (ICH)	Uses: insert-characters
ESC[#P	Delete character (DCH)	Uses: delete-characters
ESC[#m	Select graphic rendition (SGR) *	Affects: inverse?

* If the numeric parameter is omitted, the default value is zero. At least the following two graphic renditions shall be implemented:

— 0, which means normal rendition

— 7, which means negative (reverse) image

If negative image is on, subsequent characters are displayed with the foreground and background colors exchanged (reversed).

The following special characters shall also be defined:

Character	Mnemonic	Affected Words	Description
CTRL-G (0x7)	Bell (BEL)	Uses: blink-screen and “ ring-bell ” method	An audible indicator sounds or a visible indication is given.
CTRL-H (0x8)	Backspace (BS)	Affects: column#	The cursor moves one position to the left on the current line. If it is already at the left edge of the screen, nothing happens.
CTRL-I (0x9)	Tab (TAB)	Affects: column#	The cursor moves right on the current line to the next tab stop. The tab stops are fixed at every multiple of eight columns. If the cursor is already at the right edge of the screen, nothing happens; otherwise, the cursor moves right a minimum of one and a maximum of eight character positions.
CTRL-J (0xA)	Line-feed (LF)	Affects: line# Uses: delete-lines	The cursor moves down one line, remaining at the same character position on the line. If the cursor is already at the bottom line, the screen scrolls up before the cursor is moved down.
CTRL-K (0xB)	Reverse line-feed (VT)	Affects: line#	The cursor moves up one line, remaining at the same character position on the line. If the cursor is already at the top line, nothing happens.
CTRL-L (0xC)	Form-feed (FF)	Affects: line# and column# Uses: erase-screen	The cursor is positioned to the “home” position (upper-left corner) and the entire screen is cleared.
CTRL-M (0xD)	Return (CR)	Affects: column#	The cursor moves to the leftmost character position on the current line.

B.3 Recommended control sequences

The following escape sequences are not defined by ANSI X3.64. Their descriptions should be as given:

Sequence	Mnemonic	Affected Words	Description
ESC [p	Normal text colors	Affects: inverse-screen? and inverse? Uses: invert-screen	If inverse-screen? is false , does nothing. If inverse-screen? is true , sets it to false , changes the value of inverse? to its opposite value (i.e., from true to false or vice versa), and executes invert-screen . The effect of this is to establish the default foreground and background colors for the entire screen.
ESC [q	Inverse text colors	Affects: inverse-screen? and inverse? Uses: invert-screen	If inverse-screen? is true , does nothing. If inverse-screen? is false , sets it to true , changes the value of inverse? to its opposite value (i.e., from true to false or vice versa), and executes invert-screen . The effect of this is to establish inverted foreground and background colors for the entire screen (i.e., the screen background uses the default foreground color, and vice versa).
ESC [s	Reset display device	Uses: reset-screen	Resets the display device associated with the terminal emulator.

Annex C The tokenizer

(informative)

C.1 Introduction

This standard precisely defines the behavior of FCode binary, but it does not specify either the FCode text format or the means to convert that text into FCode binary.

Nonetheless, it is useful to have an agreed-upon format for FCode text and the means to convert that text into FCode binary. This annex documents a recommended format for FCode text and a recommended behavior for a *tokenizer* program to convert that text into FCode binary.

C.2 Recommended tokenizer behavior

The *tokenizer* program may be implemented on any convenient system of choice. Its input is a standard text file (FCode text). Its output is a binary file (FCode binary) in a format suitable for the development system being used.

FCode text is substantially similar in appearance to normal Forth text. Certain additional tokenizer commands are also recognized. Certain Forth commands are not recognized.

The tokenizer's behavior is to read words, one at a time, from the FCode text file and take appropriate action. Appropriate actions are as follows:

- If the word read is an existing FCode name (with an assigned FCode#), generate the appropriate FCode# and append that number to the FCode binary file.
- If the word read is a standard tokenizer macro (indicated by a type-code of "T"), generate the appropriate series of FCode#s as specified in the description of the command. Some macros will cause more words to be read from the input FCode text file. These usually have a stack comment including [...], i.e., [text<delim>].
- If the word that was read is a tokenizer-only command (these are listed later), perform the appropriate action as specified.
- Otherwise, print an error message that the particular word is not recognized.

Tokenizing behavior continues until the end of the FCode text file is encountered. If there were no errors, the FCode binary file is created.

Standard tokenizer macros (indicated by a type-code of "T") will generate a stream of FCodes to perform the equivalent function. If the macro is relatively long (more than two to four FCodes) and is used frequently, this could have an adverse effect on the total size of the FCode binary and could make the compiled Forth dictionary larger. To avoid this problem, create a duplicate *colon definition* in the FCode, as follows:

```
: 3dup 3dup ;
```

C.3 Tokenizer-only commands

The following commands are recognized by the *tokenizer* and cause special actions to be performed by the tokenizer. In contrast to most other Forth commands, these commands are only meaningful in the context of an FCode text file being "tokenized."

C.3.1 Manual tokenizer output

These commands allow the user to generate arbitrary sequences of FCode *bytes*. This is useful, for example, if using an older *tokenizer* that does not support some new FCode features.

Within “tokenizer-escape” mode, the basic command is **emit-byte** to manually output a specified FCode byte. Some tokenizers may support additional commands as well. For example, a tokenizer written in Forth may allow Forth calculations, do-loops, and even *colon definitions* within “tokenizer-escape” mode, in order to create complex sequences of FCode bytes. Tokenizers written in other languages may choose to support similar extensions.

tokenizer[(--) T

Enter tokenizer-escape mode, allowing manual FCode generation.

Save the current tokenizer numeric conversion radix, and set the radix to sixteen (hexadecimal). Enter tokenizer escape mode so that the tokenizer will interpret all subsequent commands as direct tokenizer commands, not as FCodes. The **emit-byte** command may be used while in this mode, to output specified FCode byte(s). Other commands may also be used, but these are not specified in this document. No FCode is generated by this command.

Tokenizer-escape mode is exited by **]tokenizer**.

FCODE ONLY command.

]tokenizer (--) T

Exit tokenizer-escape mode, resumes FCode interpretation.

Restore the tokenizer numeric conversion radix to the value saved by **tokenizer[** and exit tokenizer escape mode, thus resuming the tokenizer’s normal behavior of converting words of FCode source to corresponding FCode numbers.

No FCode is generated by this command.

See **tokenizer[** for more information.

FCODE ONLY command.

emit-byte (FCode# --) T

Output given FCode#, only in tokenizer-escape mode.

Only valid while in tokenizer-escape mode. Adds the specified FCode# to the FCode program that the tokenizer is creating.

Used as:

```
tokenizer[ 244 emit-byte ]tokenizer
```

See: **tokenizer[** for more information.

FCODE ONLY command.

C.3.2 File inclusion

This command allows FCode text programs to be factored and shared. It behaves similarly to the `#include` statement in the C language. Arbitrary nesting of included files is allowed.

fload ([filename<cr>] --) T

Insert the specified file at this point.

Used as:

```
fload filename <cr>
```

Save the specification of the current FCode text file. Begin tokenizing the FCode text file specified by *filename*. When the specified file is exhausted, restore the saved file and resume tokenizing it.

fload commands may be nested arbitrarily. In other words, the file just loaded may contain its own **fload** commands, as well as normal FCode text commands.

The behavior of **fload** inside a definition in FCode source text is unspecified.

The syntax for *filename* is dependent on the system on which the tokenizer is running.

FCODE ONLY command.

Annex D Sun4c™ bus specifics

(informative)

D.1 Overview and references

This annex provides an example of the application of the Open Firmware specification to a particular system architecture. The structure of this annex is typical of the structure of documents that “bind” the Open Firmware standard to particular buses, and can be used as a template for other such documents.

The architecture described in this annex is the Sun4c system architecture, which is the first system on which OpenBoot, the ancestor of Open Firmware, was deployed. The Sun4c system architecture, designed for use with SPARC microprocessors, defines a *memory management unit (MMU)*, its associated physical address format, and a set of I/O devices to support a uniprocessor multitasking operating system with demand-paged virtual memory.

D.1.1 Definitions of terms

bus node: A device node that represents the characteristics of a Sun4c bus.

child node: A device node that represents a device attached to a Sun4c bus.

D.1.2 References

The characteristics of the Sun4c system architecture can be inferred from the specifications of chip sets⁹ implementing that architecture. The aspects of the Sun4c architecture that are relevant to this annex are summarized within this annex.

D.2 Bus characteristics

D.2.1 Physical address formats and representations

The main physical address bus on Sun4c machines consists of a 1-bit type field, representing either memory space (RAM) or I/O space (SBus [B2] and other devices), and a 30-bit offset. Conventionally, this 30-bit range is considered to be centered around zero, so the offset values range from zero to 0x1FFF.FFFF and from 0xE000.0000 to 0xFFFF.FFFF.

This physical address is represented numerically by the type number (zero for memory, one for I/O) in the *phys.hi* number and the offset in the *phys.lo* number. The text string representation is “t,offset”, where “t” is either the character “0” or the character “1”, and “offset” is the ASCII representation of a hexadecimal number.

D.2.2 Bus-specific configuration variables

None.

[™] Sun4c is a trademark of Sun Microsystems, Inc.

⁹ Such chip sets are available from LSI Logic Corporation and perhaps from other vendors.

D.2.3 Format of a probe list

None. This bus cannot accept *plug-in devices*. However, most Sun4c implementations have an SBus [B2] subordinate to the root node.

D.2.4 Interrupt specification format

The Sun4c architecture uses the SPARC processor's interrupts directly; thus, interrupts are specified as for that processor. Specifically, interrupt priority levels range from one to fifteen and are not vectored.

D.2.5 FCode interpretation semantics

None. This bus cannot accept *plug-in devices*.

D.3 Bus nodes

In Sun4c systems, the Sun4c bus node is the root node of the *device tree*, since the Sun4c bus is connected directly to the MMU, and thus is the main physical address bus of the machine. In the earliest OpenBoot implementations, the root node of the device tree represented not only the main physical address bus but also the characteristics of the CPU and its associated MMU (if any). Subsequent experience shows that it is better to represent the CPU and MMU characteristics in separate nodes subordinate to the root node. Representing CPU information in separate nodes allows individual description of the various CPUs of a multiprocess system and provides a logical separation between the bus information and the CPU information.

This annex is historically accurate, representing the CPU characteristics in the root node, but that should not be construed as a recommendation for that technique.

D.3.1 Properties

D.3.1.1 Open Firmware-defined properties for bus nodes

Since the Sun4c bus node is the root node of the *device tree* and thus has no parent address space, there is neither a “**reg**” *property* nor a “**ranges**” *property*.

The following standard properties, as defined in Open Firmware, have special meanings or interpretations for Sun4c.

“**device_type**”

S

Standard *property name* to specify the implemented interface.

prop-encoded array:

Text string, encoded with **encode-string**.

The historical value for this property for Sun4c machines is the string “cpu”, indicating that the node in question represents not only the Sun4c physical address bus, but also the characteristics of the main system CPU. This double-use of the node is an historical accident and is not recommended as a precedent for the future.

D.3.1.2 Bus specific properties for bus nodes

mips-off	S
<i>property name</i> to specify the CPU performance.	
<i>prop-encoded-array:</i>	
Integer, encoded with encode-int .	
The value of this property indicates the approximate speed of the processor, in millions of instructions per second, when the cache is turned off. Its primary intended use is for calculating the number of iterations needed by short time-delay loops.	
mips-on	S
<i>property name</i> to specify the CPU performance.	
<i>prop-encoded-array:</i>	
Integer, encoded with encode-int .	
The value of this property indicates the approximate speed of the processor, in millions of instructions per second, when the cache is turned on. Its primary intended use is for calculating the number of iterations needed by short time-delay loops.	
mmu-nctx	S
<i>property name</i> to specify the number of MMU contexts.	
<i>prop-encoded-array:</i>	
Integer, encoded with encode-int .	
The value of this property indicates the number of contexts implemented by the system MMU.	
mmu-npmg	S
<i>property name</i> to specify the number of MMU PMEGs.	
<i>prop-encoded-array:</i>	
Integer, encoded with encode-int .	
The value of this property indicates the number of Page Map Entry Groups implemented by the system MMU.	
vac-hwflush	S
<i>property name</i> to indicate the presence of cache-flushing hardware.	
<i>prop-encoded-array:</i>	
None; the information is conveyed by the presence or absence of the property.	
The presence of this property indicates that the virtually addressed cache has hardware support for cache flushing. The absence of this property indicates that cache flushing must be done with low-level software operations.	
vac-linesize	S
<i>property name</i> to indicate the cache line size.	
<i>prop-encoded-array:</i>	
Integer, encoded with encode-int .	
The value of this property is the number of bytes in each line of the virtually addressed cache.	
busmaster-regval	S
<i>property name</i> to specify the Ethernet chip hardware configuration.	
<i>prop-encoded-array:</i>	
Integer, encoded with encode-int .	
The value of this property is the value that should be written to the CSR3 register of the AMD 7990 Ethernet chip that is a standard part of the Sun4c system architecture. A typical value is 0x07, indicating that the BSWP, ACON, and BCON bits of that register should be set to ones.	

buserr-type

S

property name to specify the type of error registers.

prop-encoded-array:

Integer, encoded with **encode-int**.

If this property is absent, or if it is present with a value of zero, the system bus error register layout is that of a SPARCstation-1 machine. If the property is present with a value of one, the system bus error register layout is that of a SPARCstation-2 machine.

idprom

S

property name to specify the IDPROM contents.

prop-encoded-array:

Byte array, encoded with **encode-bytes**.

The 32-byte value of this property is the verbatim contents of the Sun IDPROM structure, which contains the machine's serial number, Ethernet address, and other information.

clock-frequency

S

property name to specify the CPU clock frequency.

prop-encoded-array:

Integer, encoded with **encode-int**.

The value of this property is the frequency in megahertz of the CPU's external clock.

get-unum

S

property name to specify the address of an address-to-name translation routine.

prop-encoded-array:

Integer, encoded with **encode-int**.

The value of this property is the virtual address of a subroutine that translates a Sun4c physical address to a human-readable null-terminated string telling the location on the CPU board of the field-replacable part that contains that address. The subroutine is called with standard SPARC subroutine calling conventions. The primary use of the subroutine is to help the operating system display the location of a defective memory module.

NOTE—The use of a property to report the address of a machine language subroutine is not a recommended technique. The register usage and calling conventions for such subroutines often varies from compiler to compiler, thus the use of machine language subroutines creates a dependency on a particular compiler.

D.3.2 Methods

D.3.2.1 Open Firmware-defined methods for bus nodes

Sun4c bus nodes implement the following standard *methods* as defined in Open Firmware, with physical address representations as specified in D.2.1.

decode-unit	(addr len -- phys.lo ... phys.hi)	Convert text unit-string to physical address.
map-out	(virt size --)	Destroy mapping from previous map-in .
map-in	(phys.lo ... phys.hi size -- virt)	Map the specified region; return a virtual address.
close	(--)	Close this previously opened device.
open	(-- okay?)	Prepare this device for subsequent use.

D.3.2.2 Bus-specific methods for bus nodes

decode-space (addr len -- phys.hi) M

Convert text string to *phys.hi*.

Convert the address space named by the string *addr,len* to the numerical representation of the high component of the physical address *phys.hi*. Either of the strings “mem” or “obmem” is converted to the numerical value 0, and either of the strings “io” or “obio” is converted to the numerical value 1.

D.4 Child nodes

D.4.1 Properties

D.4.1.1 Open Firmware-defined properties for child nodes

The following standard properties, as defined in Open Firmware, apply to Sun4c *child nodes*, with physical address representations and interrupt formats as specified in D.2.1.

“reg” Standard *property name* to define the package’s registers.
“interrupts” Standard *property name* to define the interrupts used.

D.4.1.2 Bus-specific properties for child nodes

None.

D.4.2 Methods

There are no special requirements on the *methods* of Sun4c *child nodes* beyond those described in Open Firmware.

D.5 User interface extensions

This section describes commands that are only applicable to Sun4c systems or have special meaning when used with Sun4c systems.

D.5.1 Bus-specific interpretations of standard commands

None.

D.5.2 Bus-specific FCodes

None.

D5.3 Bus-specific FCodes

An Open Firmware-compliant user interface on a Sun4c system should implement the following Sun4c-specific user interface commands.

obio (-- space)

The *on-board* I/O address space; for mapping.

- obmem** (-- space)
The *on-board* memory address space; for mapping.
- sbus** (-- space)
The SBus address space; for mapping.
- pgmap@** (virt -- pme)
The page map entry *pme* corresponds to the virtual address *virt*.
- pgmap?** (virt --)
Display the page map entry corresponding to the virtual address *virt*.
- pgmap!** (pme virt --)
Store a page map entry *pme* for the virtual address *virt*.
- smap@** (virt -- pmeg)
The segment map entry *pmeg* corresponds to the virtual address *virt*.
- smap?** (virt --)
Display the segment map entry for the virtual address *virt*.
- smap!** (pmeg virt --)
Store a segment map entry for the virtual address *virt*.
- map?** (virt --)
Display the multi-level MMU mappings corresponding to the virtual address *virt*.
- cache-off** (--)
Disable the CPU cache.
- cache-on** (--)
Enable the CPU cache.
- cacheable** (space -- cache-space)
Adjust the address space *space* so the subsequent address mapping is cacheable.
- cdata@** (offset -- data)
data is at *offset* from the start of the CPU cache.
- cdata!** (data offset --)
Store *data* at *offset* from the start of the CPU cache.
- clear-cache** (--)
Invalidate all the entries in the cache.
- ctag@** (offset -- value)
The cache tag *value* is at *offset* from the beginning of the CPU cache.
- ctag!** (value offset --)
Store *value* at the *offset* from the start of the CPU cache.

aerr!	(data --)
Write the asynchronous error register.	
aerr@	(-- data)
Read the asynchronous error register.	
averr!	(data --)
Write the asynchronous virtual address register.	
averr@	(-- data)
Read the asynchronous virtual address register.	
aux!	(data --)
Write the auxiliary register.	
aux@	(-- data)
Read the auxiliary register.	
context!	(data --)
Write the context register.	
context@	(-- data)
Read the MMU context register.	
dcontext@	(-- data)
Read the cache context register.	
enable!	(data --)
Write the system enable register.	
enable@	(-- data)
Read the system enable register.	
idprom@	(offset -- data)
Read the idprom byte at <i>offset</i> from the start of the idprom.	
interrupt-enable!	(data --)
Write the interrupt enable register.	
interrupt-enable@	(-- data)
Read the interrupt enable register.	
serr!	(data --)
Write the synchronous error register.	
serr@	(-- data)
Read the synchronous error register.	
sverr!	(data --)
Write the synchronous error virtual address register.	

sverr@	(-- data)
Read the synchronous error virtual address register.	
pagesize	(-- size)
The page size of the CPU MMU.	
segmentsize	(-- size)
The segment size of the CPU MMU.	
map-page	(phys space virt --)
Create a mapping for physical address <i>phys space</i> to virtual address <i>virt</i> . Both <i>phys</i> and <i>virt</i> , if not already on a page boundary, are truncated to the next lower page boundary.	
map-pages	(phys space virt size --)
Performs consecutive calls to map-pages to map the range of physical addresses beginning at <i>phys space</i> and extending for <i>size</i> bytes to a range of virtual addresses beginning at <i>virt</i> .	
map-segments	(smentry virt size --)
Map a memory region with smap! .	

D.6 Client execution environment

NOTE—The following information would typically be specified in a document describing the application of Open Firmware to a particular system. Such information would usually be considered inappropriate for a document describing the application of Open Firmware to a standard bus. The information is included here because this annex applies to the entire Sun4c system architecture, not just to the Sun4c bus.

When a client begins execution, PMEGs 0xFF, 0xFE, 0xFD, and 0xFC, ... (as needed) are already in use. Only context 0 is used. PMEG 0xFF is used as the invalid PMEG and is filled with invalid PTEs. Unused virtual addresses are invalidated. All unused segments are set to the invalid PMEG. All unused memory pages are set to the invalid PTE.

All memory is scrubbed (either set to 0 or read/written to clean out start-up parity error artifacts). Parity is turned off. All cache tags are cleared before use. Some pages are marked cacheable, and the cache is turned on.

The trap table is set so that a routine to save the state of the CPU is installed in all trap vectors except for window-overflow (trap 0x05), window-underflow (trap 0x06), and interrupt-level-14 (trap 0x1E). The interrupt-control register is set to enable level-14 interrupts for a counter, and to allow any interrupts. The processor-interrupt level is set to 13. The counter-limit value is set to interrupt every 10 ms.

Annex E

SCSI host adapter package class

(informative)

E.1 Overview and references

This annex describes the application of Open Firmware to the Small Computer Systems Interface (SCSI) bus and addresses nodes representing SCSI host adapters.

E.1.1 Definitions of terms

bus node: A device node that represents the interface, or “host adapter,” between a SCSI bus and its parent (which may be another bus).

child node: A device node that represents an SCSI “target” device.

E.1.2 References

SCSI (Small Computer Systems Interface) is a peer-to-peer I/O bus defined by ISO/IEC 10288 : . . . [B4], which will supersede ISO/IEC 9316 : 1989 when it is approved and published.

E.2 Bus characteristics

E.2.1 Physical address formats and representations

SCSI devices are addressed with a 4-bit “target” number and a 3-bit “unit” number.

The numerical representation on an SCSI bus physical address consists of the target number in the *high* number and the unit number in the *low* number. The text string representation is *target,unit*, where *target* and *unit* are both hexadecimal numbers. Future SCSI extensions have proposed target address spaces greater than 4 bits and *unit address* spaces larger than 3 bits. The given address representation allows for up to 32 bits for each of the target and unit addresses.

SCSI is not a memory-mapped bus. Operations on target devices are performed by executing a transaction consisting of multiple phases, including selecting a particular target device, sending a multibyte command to the target, possibly transferring multiple data bytes to or from the target, and returning status.

E.2.2 Bus-specific configuraton variables

None.

E.2.3 Format of a probe list

None.

E.2.4 Interrupt specification format

None (SCSI has no interrupts).

E.2.5 FCode interpretation semantics

None (SCSI has no provision for device identification via FCode.)

E.3 Bus nodes

E.3.1 Properties

E.3.1.1 Open Firmware-defined properties for bus nodes

The following standard *property*, as defined in Open Firmware, has special meaning or interpretation for SCSI:

“device_type”	S
Standard <i>prop-name</i> to specify the implemented interface.	
The meaning of this property is as defined in Open Firmware. A package conforming to this specification and corresponding to a device that implements an SCSI Bus shall implement this property with the string value “ <i>scsi-2</i> ”.	

E.3.1.2 Bus-specific properties for bus nodes

None.

E.3.2 Methods

E.3.2.1 Open Firmware-defined methods for bus nodes

A *package* implementing the “*scsi-2*” *device type* shall implement the following standard *methods* as defined in Open Firmware, with physical address representations as specified in E.2.1:

open	(-- okay?)	M
Prepare this device for subsequent use.		
close	(--)	M
Close this previously opened device.		
dma-alloc	(... size -- virt)	M
Allocate a memory region for later use.		
dma-free	(virt size --)	M
Free memory allocated with dma-alloc .		
decode-unit	(addr len -- phys.lo ... phys.hi)	M
Convert text unit-string to physical address.		

E.3.2.2 Bus-specific methods for bus nodes

A *package* implementing the “*scsi-2*” *device type* shall implement the following bus-specific *methods*.

max-transfer	(-- n)
Returns the maximum DMA transfer length supported by the hardware.	
set-address	(unit# target# --)
Sets the SCSI target number (0x0..0xf) and unit number (0..7) to which subsequent commands apply.	

set-timeout (msec --)

Sets the maximum length of time in milliseconds that the driver will wait for the completion of a command. The default value of zero means to wait indefinitely. A hardware error result is reported for a command that times out.

show-children (--)

Searches the SCSI bus for attached target devices and their associated units. Displays the information that the SCSI “Inquiry” command reports for those devices.

execute-command (buf-addr buf-len dir cmd-addr cmd-len -- hw-err? | statbyte 0)

Executes the SCSI command, which is stored in memory at *cmd-addr* and whose length is *cmd-len*. *Dir* is true if the data transfer phase of the SCSI command will transfer data from the device to memory, and false otherwise. *buf-addr* is the address of the memory buffer to be used for the data transfer phase, and *buf-len* is the expected maximum length of the data transfer phase. The memory buffer must be contained within a DMA-accessible region that was returned by a previous execution of **dma-alloc**. If *buf-len* is zero, indicating that the command is not expected to have a data transfer phase, both *buf-addr* and *dir* are ignored. *Hw-err?*, the returned hardware error status, is nonzero if the command could not be executed at all (perhaps due to the device not responding to the selection attempt). If *hw-err?* is zero, *statbyte* is the status byte returned by the status phase of the command.

retry-command (buf-addr buf-len dir cmd-addr cmd-len #retries -- 0 | hw-err? stat | sensebuf 0 stat)

Executes a SCSI command, automatically retrying under certain conditions. **retry-command** is similar to **execute-command** except that **retry-command** automatically retries under certain failure conditions and automatically executes the “request sense” SCSI command as necessary. *#retries* is the maximum number of times that the command will be retried; if *#retries* is -1 , the command will be retried indefinitely. **retry-command** returns 0 if the command eventually succeeds. Otherwise, it returns the status byte returned by the last attempted command on top of the stack (-1 if the command failed due to a hardware error). The second number on the stack (*hw-err?*) indicates whether or not the extended sense information is available. If *hw-err?* is zero, the third number on the stack (*sensebuf*) is the address of a memory buffer containing the extended sense information returned by the “request sense” command that was executed after the last attempt to execute the desired command. The criteria for whether or not to retry the command are as follows:

- a) If the requested number of retries have already been performed, do not retry.
- b) If the failure is due to a hardware error, do not retry.
- c) If the failure was due to a “device busy” condition reported in the status byte, retry.
- d) Otherwise, execute the “get extended status” command and attempt to determine whether or not the failure could be retried based on the data in the returned sense buffer, as follows:
 - 1) Unknown error class (not 7) is not retryable.
 - 2) Filemark is not retryable.
 - 3) End of media is not retryable.
 - 4) Illegal length indicator is not retryable.
 - 5) sense key = No Sense is retryable.
 - 6) sense key = Recoverable error is retryable.
 - 7) sense key = Not Ready is retryable.
 - 8) sense key = Unit Attention is retryable.
 - 9) Transaction aborted due to Incoming SCSI Bus reset is retryable
 - 10) Otherwise, the error is not retryable.

no-data-command (cmd-addr -- error?)

Executes a simple SCSI command, automatically retrying under certain conditions.

cmd-addr is the address of a 6-byte command buffer containing an SCSI command that does not have a data transfer phase. Executes the command, retrying indefinitely with the same retry criteria as **retry-command**.

error? is nonzero if an error occurred, zero otherwise.

NOTE—**no-data-command** is a convenience function. It provides no capabilities that are not present in **retry-command**, but for those commands that meet its restrictions, it is easier to use.

short-data-command (data-len cmd-addr cmd-len -- error? | data-adr 0)

Executes a simple SCSI command, automatically retrying under certain conditions.

cmd-addr is the address and *cmd-len* the length of a command buffer containing an SCSI command whose data transfer phase is expected to transfer less than 256 bytes in an incoming direction. *data-len* is the expected length (1..255) of the data transfer. Executes the command, retrying indefinitely with the same retry criteria as **retry-command**.

error? is nonzero if an error occurred, zero otherwise. If *error?* is zero, *data-adr* is the address of a buffer containing the data transferred by the execution of the command.

NOTE—**short-data-command** is a convenience function, eliminating the need for allocating a DMA buffer. It is primarily intended for use with “informational” SCSI commands like “read block limits” and “inquiry”.

diagnose (-- error-code | 0)

Performs a simple self-test for a generic SCSI device.

Perform an SCSI “test-unit-ready” command on the currently selected target and unit (see **set-address**). If that fails, display a message indicating the details of the failure and return a nonzero error code. Otherwise, perform an SCSI “send-diagnostic” command, returning zero if it succeeds or a nonzero error code if it fails.

E.4 Child nodes

E.4.1 Properties

E.4.1.1 Open Firmware-defined properties for child nodes

None.

E.4.1.2 Bus-specific properties for child nodes

None.

E.4.2 Methods

E.4.2.1 Open Firmware-defined methods for child nodes

None.

E.4.2.2 Bus-specific methods for child nodes

None.

E.5 User interface extensions

None.

E.6 Sample driver code

This subclause contains the source code for an *FCode program* implementing a driver for a hypothetical SCSI host adapter device. This source code can be processed by a *tokenizer* program that behaves as described in annex C.

E.6.1 overall.fth

```
\ FCode driver for hypothetical SCSI host adapter

hex

" XYZI,scsi"          name          \ Name of device node
" XYZI,12346-01"     model         \ Manufacturer's model number
" scsi-2"           device-type   \ Device implements SCSI-2 method set
3 0                 intr          \ Device interrupts on level 3, no vector

external

\ These routines may be called by the children of this device.
\ This card has no local buffer memory for the SCSI device, so it
\ depends on its parent to supply DMA memory. For a device with
\ local buffer memory, these routines would probably allocate from
\ that local memory.

: dma-alloc ( n -- vaddr ) " dma-alloc" $call-parent ;
: dma-free ( vaddr n -- ) " dma-free" $call-parent ;
: dma-sync ( vaddr devaddr n -- ) " dma-sync" $call-parent ;
: dma-map-in ( vaddr n cache? -- devaddr ) " dma-map-in" $call-parent ;
: dma-map-out ( vaddr devaddr n -- ) " dma-map-out" $call-parent ;
: max-transfer ( -- n )
  " max-transfer" [' ] $call-parent catch if 2drop h# 7fff.ffff then
  \ The device imposes no size limitations of its own; if it did, those
  \ limitations could be described here, perhaps by executing:
  \ my-max-transfer min
;

fload scsiha.fth

fload hacom.fth

  new-device
    fload scsidisk.fth \ scsidisk.fth also loads scsicom.fth
  finish-device

  new-device
    fload scsitape.fth \ scsitape.fth also loads scsicom.fth
  finish-device

end0
```

E.6.2 scsiha.fth

```
\ Example FCode driver for a hypothetical SCSI bus interface device

hex

\ The following structure defines the registers for the SCSI device.
\ This hypothetical device is designed for ease of programming. It
\ has a separate register for each function (no bit packing). All
\ registers are both readable and writeable. The device has a random-
```

```

\ access buffer large enough for a maximum-length SCSI command block.

\ To execute a SCSI command with this device, write the appropriate
\ information into the registers named ">cmd-adr" through ">input?", write
\ a 1 to the ">start" register, and wait for the ">start" register to
\ change to 0. Then read the ">phase" register to determine whether or
\ not the command completed all phases (">phase" reports 0 on success,
\ h# fd for incoming reset, h# ff for other hardware error).
\ If so, ">status" contains the SCSI status byte, and ">message-in"
\ contains the command-complete message byte.

struct ( scsi-registers )
    0c field >cmd-adr          \ Up to 12 command bytes
    4 field >cmd-len          \ Length of command block

    4 field >data-adr         \ Base address of DMA data area
    4 field >data-len        \ Length of data area

    1 field >host-selectid    \ Host's selection ID
    1 field >target-selectid  \ Target's selection ID
    1 field >input?          \ 1 for data output; 0 for data input
    1 field >message-out     \ Outgoing message byte

    1 field >start           \ Write 1 to start. Reads as 0 when done.
    1 field >phase           \ Reports the last transaction phase
    1 field >status          \ Returned status byte
    1 field >message-in     \ Incoming message byte

    1 field >intena          \ Write 1 to enable interrupts.
    1 field >reset-bus       \ Write 1 to reset the SCSI bus.
    1 field >reset-board     \ Write 1 to reset the board.
constant /scsi-regs

\ Now that we have a symbolic name for the size of the register block,
\ we can declare the "reg" property.

\ Registers begin at offset 800000 and continue for "/scsi-regs" bytes.

my-address 80.0000 + my-space /scsi-regs reg

-1 instance value regs          \ Virtual base address of device registers

0 instance value my-id          \ host adapter's selection ID
0 instance value his-id         \ target's selection ID
0 instance value his-lun        \ target's unit number

\ Map device registers

: map ( -- )
    my-address 80.0000 + my-space /scsi-regs ( addr-low addr-high size )
    " map-in" $call-parent to regs      ( )
;

: unmap ( -- )
    regs /scsi-regs " map-out" $call-parent -1 to regs
;

create reset-done-time 0 ,
create resetting false ,

\ 5 seconds appears to be about the right length of time to wait after
\ a reset, considering a variety of disparate devices.
d# 5000 value scsi-reset-delay

```

```

: reset-wait ( -- )
  resetting @ if
    begin get-msecs reset-done-time @ - 0>= until
      resetting off
    then
  ;

: reset-scsi-bus ( -- )
  1 regs >reset-board rb! \ Reset the controller board.
  0 regs >intena rb! \ Turn off interrupts.
  1 regs >reset-bus rb! \ Reset the SCSI bus.

  \ After resetting the SCSI bus, we have to give the target devices
  \ some time to initialize their microcode. Otherwise the first command
  \ may hang, as with some older controllers. We note the time when it
  \ is okay to access the bus (now plus some delay), and "execute-command"
  \ will delay until that time is reached, if necessary.
  \ This allows us to overlap the delay with other work in many cases.

  get-msecs scsi-reset-delay + reset-done-time ! resetting on
;

0 value scsi-time \ Maximum command time in milliseconds
0 value time-limit \ Ending time for command

: set-timeout ( msecs -- ) to scsi-time ;

0 value devaddr

\ Returns true if select failed
: (exec) ( dma-adr,len dir cmd-adr,len -- hwresult )
  reset-wait \ Delay until any prior reset operation is done.

  his-lun h# 80 or regs >message-out rb! \ Set unit number; no disconnect.
  my-id regs >host-selectid rb! \ Set the selection IDs.
  his-id regs >target-selectid rb!

  \ Write the command block into the host adapter's command register

  dup 0 ?do ( data-adr,len dir cmd-adr,len )
    over i + c@ ( data-adr,len dir cmd-adr,len cmd-byte )
    regs >cmd-adr i ca+ rb! ( data-adr,len dir cmd-adr,len )
  loop ( data-adr,len dir cmd-adr,len )

  regs >cmd-len rl! drop ( data-adr,len dir )

  \ Set the data transfer parameters.

  ( .. dir ) regs >input? rb! ( data-adr,len ) \ Direction
  ( .. len ) regs >data-len rl! ( data-adr ) \ Length
  ( .. adr ) regs >data-adr rl! ( ) \ DMA Address

  \ Now we're ready to execute the command.

  1 regs >start rb! \ Tell board to start the command.

  get-msecs scsi-time + to time-limit \ Set the time limit.

  begin regs >start rb@ while \ Wait until command finished.
    scsi-time if \ If timeout is enabled, and
      get-msecs time-limit - 0>= if \ the time-limit has been reached,

```

```

        reset-scsi-bus true exit    \ reset the bus and return error.
    then
    then

repeat

    \ Nonzero phase means that the command didn't finish.

    regs >phase rb@
;

\ Returns true if select failed
: execute-command ( data-adr,len dir cmd-adr,len -- hwresult | statbyte false)
    \ Temporarily put dir and cmd-adr,len on the return stack to get them
    \ out of the way so we can work on the DMA data buffer.

    >r >r >r                                ( data-adr,len )

    dup if                                  ( data-adr,len )

        \ If the data transfer has a nonzero length, we have to map it in.

        2dup false dma-map-in ( data-adr,len dma )
        2dup swap r> r> r>      ( data-adr,len dma dma,len dir cmd-adr,len)

        (exec)                    ( data-adr,len phys hwres)

        >r swap dma-map-out r>    ( hwresult )
    else                          ( data-adr,len )
        r> r> r> (exec)          ( hwresult )
    then                          ( hwresult )

    ?dup 0= if                      ( hwresult | )
        regs >status rb@ false \ Command finished; return status byte and false.
    then                            ( hwresult | statbyte 0 )
;

external

: reset ( -- ) map reset-scsi-bus unmap ;
reset    \ Reset the SCSI bus when we are probed.

: open-hardware ( -- okay? )
    map

    \ Should perform a quick "sanity check" selftest here,
    \ returning true if the test succeeds.

    true
;
: reopen-hardware ( -- okay? ) true ;

: close-hardware ( -- ) unmap ;
: reclose-hardware ( -- ) ;

: selftest ( -- 0 | error-code )
    \ Perform reasonably extensive selftest here, displaying
    \ a message and returning an error code if the
    \ test fails and returning 0 if the test succeeds.
    0
;
: set-address ( unit target -- )
    to his-id to his-lun
;

```


E.6.3 hacom.fth

```

\ Common code for SCSI host adapter drivers

\ The following code is intended to be independent of the details of the
\ SCSI hardware implementation. It is loaded after the hardware-dependent
\ file that defines execute-command, set-address, open-hardware, etc.

headers

-1 value inq-buf          \ Address of inquiry data buffer
-1 value sense-buf       \ Holds extended error information

0 value #retries ( -- n ) \ number of times to retry SCSI transaction

\ Classifies the sense condition as either okay (0), retryable (1),
\ or non-retryable (-1)
: classify-sense ( -- 0 | 1 | -1 )
  sense-buf

  \ Make sure we understand the error class code.
  dup c@ h# 7f and h# 70 <> if drop -1 exit then

  \ Check for filemark, end-of-media, or illegal block length.
  dup 2+ c@ h# e0 and if drop -1 exit then

  2 + c@ h# f and ( sense-key )

  \ no_sense(0) and recoverable(1) are okay.
  dup 1 <= if drop 0 exit then ( sense-key )

  \ not-ready(2) and attention(6) are retryable.
  dup 2 = swap 6 = or if 1 else -1 then
;

0 value open-count

external

\ The SCSI device node defines an address space for its children. That
\ address space is of the form "target#,unit#". target# and unit# are
\ both integers. parse-2int converts a text string (e.g., "3,4") into
\ a pair of binary integers.

: decode-unit ( addr len -- unit# target# ) parse-2int ;

: open ( -- okay? )
  open-count if
    reopen-hardware dup if open-count 1+ to open-count then
    exit
  else
    open-hardware dup if
      1 to open-count
      100 dma-alloc to sense-buf
      100 dma-alloc to inq-buf
    then
  then
;

: close ( -- )
  open-count 1- to open-count
  open-count if
    reclose-hardware

```

```

    else
        close-hardware
        inq-buf 100 dma-free
        sense-buf 100 dma-free
    then
;

headers

create sense-cmd 3 c, 0 c, 0 c, 0 c, ff c, 0 c,

: get-sense ( -- ) \ Issue REQUEST SENSE, which is not supposed to fail.
    sense-buf ff true sense-cmd 6 execute-command 0= if drop then
;

\ Give the device a little time to recover before retrying the command.
: delay-retry ( -- ) 1000 0 do loop ;

0 value statbyte \ Local variable used by retry?

\ RETRY? is used by RETRY-COMMAND to determine whether or not to retry the
\ command, considering the following factors:
\ - Success or failure of the command at the hardware level (failure at
\ this level is usually fatal, except in the case of an incoming bus reset)
\ - The value of the status byte returned by the command
\ - The condition indicated by the sense bytes
\ - The number of previous retries
\
\ The input arguments are as returned by "scsi-exec".
\ On output, the top of the stack is true if the command is to be retried,
\ otherwise the top of the stack is false and the results that should be
\ returned by retry-command are underneath it; those results indicate the type
\ of error that occurred.

: retry? ( hw-result | statbyte 0 -- true | [[sensebuf] f-hw] error? false )
    case
        0 of to statbyte endof \ No hardware error; continue checking.
        1 of true exit endof \ Retry after incoming bus reset.
        ( hw-result ) true false exit \ Other hardware errors are fatal.
    endcase

    statbyte 0= if false false exit then \ If successful, return "no-error".

    statbyte 2 and if \ "Check Condition", so get extended status.
        get-sense classify-sense case ( -1|0|1 )
            \ If the sense information says "no sense", return "no-error".
            0 of false false exit endof

            \ If the error is fatal, return "sense-buf,valid,statbyte".
            -1 of sense-buf false statbyte false exit endof
        endcase

        \ Otherwise, the error was retryable. However, if we have
        \ have already retried the specified number of times, don't
        \ retry again; instead return sense buffer and status.
        #retries 0= if sense-buf false statbyte false exit then
    then

    \ Don't retry if vendor-unique, reserved, intermediate, or
    \ "condition met/good" bits are set. Return "no-sense,status".
    statbyte h# f5 and if true statbyte false exit then

    \ Don't retry if we have already retried the specified number

```

```

\ of times. Return "no-sense,status".
#retries 0= if true statbyte false exit then

\ Otherwise, it was either a busy or a retryable check condition,
\ so we retry.

true
;

\ RETRY-COMMAND executes a SCSI command. If a check condition is indicated,
\ performs a "get-sense" command. If the sense bytes indicate a non-fatal
\ condition (e.g., power-on reset occurred, not ready yet, or recoverable
\ error), the command is retried until the condition either goes away or
\ changes to a fatal error.
\
\ The command is retried until
\ a) The command succeeds, or
\ b) The select fails, or dma fails, or
\ c) The sense bytes indicate an error that we can't retry at this level, or
\ d) The number of retries is exceeded.

\ #retries is number of times to retry (0: don't retry, -1: retry forever)
\
\ sensebuf is the address of the sense buffer; it is present only
\ if f-hw is 0 and error? is nonzero. The length of the sense buffer
\ is 8 bytes plus the value in byte 7 of the sense buffer.
\
\ f-hw is nonzero if there is a hardware error -- dma fails, select fails,
\ etc. -- or if the status byte was neither 0 (okay) nor 2 (check condition).
\
\ error? is nonzero if there is a transaction error. If error? is 0,
\ f-hw and sensebuf are not returned.
\
\ If sensebuf is returned, the contents are valid until the next call to
\ retry-command. sensebuf becomes inaccessible when this package is closed.
\
\ dma-dir is necessary because it is not always possible to infer the DMA
\ direction from the command.

\ Local variables used by retry-command?

0 instance value dbuf          \ Data transfer buffer
0 instance value dlen         \ Expected length of data transfer
0 instance value direction-in  \ Direction for data transfer

-1 instance value cbuf        \ Command base address
0 instance value clen         \ Actual length of this command

external

: retry-command ( dma-buf dma-len dma-dir cmdbuf cmdlen #retries -- ... )
  ( ... -- [[sensebuf] f-hw] error? )
  to #retries to clen to cbuf to direction-in to dlen to dbuf

  begin
    dbuf dlen direction-in cbuf clen execute-command ( hwerr | stat 0 )
    retry?
  while
    #retries 1- to #retries
    delay-retry
  repeat
;

headers

```

```

\ Collapses the complete error information returned by retry-command into
\ a single error/no-error flag.

: error? ( false | true true | sensebuf false true -- error? )
  dup if swap 0= if nip then then
;

external

\ Simplified "retry-command" routine for commands with no data transfer phase
\ and simple error checking requirements.

: no-data-command ( cmdbuf -- error? )
  >r 0 0 true r> 6 -1 retry-command error?
;

\ short-data-command executes a command with the following characteristics:
\ a) The data direction is incoming
\ b) The data length is less than 256 bytes

\ The host adapter driver is responsible for supplying the DMA data
\ buffer; if the command succeeds, the buffer address is returned.
\ The buffer contents become invalid when another SCSI command is
\ executed, or when the driver is closed.

: short-data-command ( data-len cmdbuf cmdlen -- true | buffer false )
  >r >r inq-buf swap true r> r> -1 retry-command ( retry-cmd-results )
  error? dup 0= if inq-buf swap then
;

headers

\ Here begins the implementation of "show-children", a word that
\ is intended to be executed interactively, showing the user the
\ devices that are attached to the SCSI bus.

\ Tool for storing a big-endian 24-bit number at an unaligned address

: 3c! ( n addr -- ) >r lbsplit drop r@ c! r@ 1+ c! r> 2+ c! ;

\ Command block template for Inquiry command

create inquiry-cmd h# 12 c, 0 c, 0 c, 0 c, ff c, 0 c,

: inquiry ( -- error? )
  \ 8 retries should be more than enough; inquiry commands aren't
  \ supposed to respond with "check condition".

  inq-buf ff true inquiry-cmd 6 8 retry-command error?
;

\ Returns true if the target number "select-id" responds to the inquiry
\ command.
: probe-target ( select-id -- present? )
  0 swap set-address inquiry 0=
;

\ Reads the indicated byte from the Inquiry data buffer.

: inq@ ( offset -- value ) inq-buf + c@ ;

```

CORE REQUIREMENTS AND PRACTICES

```

: .scsil-inquiry ( -- ) inq-buf 5 ca+ 4 inq@ fa min type ;
: .scsi2-inquiry ( -- ) inq-buf 8 ca+ d# 28 type ;

\ Displays the results of an Inquiry command to the indicated device.

: show-lun ( unit target -- )
  over swap set-address ( unit )
  inquiry if drop exit then ( unit )
  0 inq@ h# 7f = if drop exit then ( unit )
  ." Unit " . ." " ( )
  1 inq@ h# 80 and if ." Removable " then ( )
  0 inq@ case ( )

    0 of ." Disk " endof
    1 of ." Tape " endof
    2 of ." Printer " endof
    3 of ." Processor " endof
    4 of ." WORM " endof
    5 of ." Read Only device" endof
    ( default ) ." Device type " dup .h
  endcase ( )

  1 inq@ h# 7f and ?dup if ." Qualifier " .h then

    4 spaces
    3 inq@ 0f and 2 = if .scsi2-inquiry else .scsil-inquiry then
    cr
;

external

\ Searches for devices on the SCSI bus, displaying the Inquiry information
\ for each device that responds.

: show-children ( -- )
  open 0= if ." Can't open SCSI host adapter" cr exit then

  8 0 do
    i probe-target if
      ." Target " i . cr
      8 0 do i j show-lun loop
    then
  loop

  close
;

headers

\ The Diagnose command is useful for generic SCSI devices.
\ It executes both "test-unit-ready" and "send-diagnostic"
\ commands, decoding the error status information they return.

create test-unit-rdy-cmd 0 c, 0 c, 0 c, 0 c, 0 c, 0 c,
create send-diagnostic-cmd h# 1d c, 4 c, 0 c, 0 c, 0 c, 0 c,

: send-diagnostic ( -- error? ) send-diagnostic-cmd no-data-command ;

external

: diagnose ( -- error? )
  0 0 true test-unit-rdy-cmd 6 -1 ( dma$ dir cmd$ #retries )
  retry-command if ( [ sensebuf ] hardware-error? )
  ." Test unit ready failed - " ( [ sensebuf ] hardware-error? )

```

```

if ( )
    ." hardware error (no such device?)" cr ( )
else ( sensebuf )
    ." extended status = " cr ( sensebuf )
    base @ >r ( sensebuf )
    8 bounds ?do i 3 u.r loop cr ( )
then
true
else
    send-diagnostic ( fail? )
then
;

```

headers

E.6.4 scsicom.fth

\ This file contains some words that are useful for both
\ SCSI disk and SCSI tape device drivers.

\ The SCSI disk and SCSI tape packages need to export dma-alloc and dma-free
\ methods so the deblocker can allocate DMA-capable buffer memory.

```

external
: dma-alloc ( n -- vaddr ) " dma-alloc" $call-parent ;
: dma-free ( vaddr n -- ) " dma-free" $call-parent ;
headers

```

```

: parent-max-transfer ( -- n ) " max-transfer" $call-parent ;

```

\ Calls the parent device's "retry-command" method. The parent device is
\ assumed to be a driver for a SCSI host adapter (device-type = "scsi").

```

: retry-command ( dma-addr dma-len dma-dir cmd-addr cmd-len #retries -- ... )
    ( ... -- false ) \ No error
    ( ... -- true true ) \ Hardware error
    ( ... -- sensebuf false true ) \ Fatal error with extended status
    " retry-command" $call-parent
;

```

\ Simplified command execution routines for common simple command forms

```

: no-data-command ( cmdbuf -- error? ) " no-data-command" $call-parent ;

: short-data-command ( data-len cmdbuf cmdlen -- true | buffer false )
    " short-data-command" $call-parent
;

```

\ Some tools for reading and writing 2-, 3-, and 4-byte numbers to and from
\ SCSI command and data buffers. The ones defined below are used both in
\ the SCSI disk and the SCSI tape packages. Other variations that are
\ used only by one of the packages are defined in the package where they
\ are used.

```

: +c! ( n addr -- addr' ) tuck c! 1+ ;
: 3c! ( n addr -- ) >r lbsplit drop r> +c! +c! c! ;

: -c@ ( addr -- n addr' ) dup c@ swap 1- ;
: 3c@ ( addr -- n ) 2 + -c@ -c@ c@ 0 bljoin ;
: 4c@ ( addr -- n ) 3 + -c@ -c@ -c@ c@ bljoin ;

```

```

\ "Scratch" command buffer useful for construction of read and write commands
create cmdbuf 0 c, 0 c, 0 c, 0 c, 0 c, 0 c, 0 c, 0 c, 0 c, 0 c, 0 c, 0 c,
: cb! ( byte index -- ) cmdbuf + c! ; \ Write byte to command buffer

\ The deblocker converts a block/record-oriented interface to a byte-oriented
\ interface, using internal buffering. Disk and tape devices are usually
\ block- or record-oriented, but the OBP external interface is byte-oriented,
\ in order to be independent of particular device block sizes.

0 instance value deblocker
: init-deblocker ( -- okay? )
  " " " deblocker" $open-package to deblocker
  deblocker if
    true
  else
    ." Can't open deblocker package" cr false
  then
;

headerless
: selftest ( -- error? )
  fcode-revision h# 3.0000 >= if
    my-unit " set-address" $call-parent
    " diagnose" $call-parent
  else
    0
  then
;

headers

```

E.6.5 scsidisk.fth

```

\ SCSI disk package implementing a "block" device-type interface

" sd" encode-string " name" property
" block" device-type

fload scsicom.fth \ Utility routines for SCSI commands

hex

\ 0 means no timeout
: set-timeout ( msec -- ) " set-timeout" $call-parent ;

0 instance value offset-low \ Offset to start of partition
0 instance value offset-high

0 instance value label-package

\ Sets offset-low and offset-high, reflecting the starting location of the
\ partition specified by the "my-args" string.

: init-label-package ( -- okay? )
  0 to offset-high 0 to offset-low
  my-args " disk-label" $open-package to label-package
  label-package if
    0 0 " offset" label-package $call-method to offset-high to offset-low
  true

```

```

else
    ." Can't open disk label package" cr false
then
;

\ Ensures that the disk is spinning, but doesn't wait forever.

create sstart-cmd h# 1b c, 1 c, 0 c, 0 c, 1 c, 0 c,

: timed-spin ( -- error? )
    d# 15000 set-timeout
    sstart-cmd no-data-command
    0 set-timeout
;

0 instance value /block          \ Device native block size

create mode-sense-cmd h# 1a c, 0 c, 0 c, 0 c, d# 12 c, 0 c,
create read-capacity-cmd h# 25 c, 0 c, 0 c, 0 c, d# 12 c, 0 c,
                        0 c, 0 c, 0 c, 0 c,

: read-block-size ( -- n )      \ Ask device about its block size.
    \ First try "mode sense" - data returned in bytes 9,10,11.

    d# 12 mode-sense-cmd 6 short-data-command if 0 else 9 + 3c@ then

    ?dup if exit then

    \ Failing that, try "read capacity" - data returned in bytes 4,5,6,7.

    8 read-capacity-cmd 0a short-data-command if 0 else 4 + 4c@ then

    ?dup if exit then

    d# 512          \ Default to 512 if the device won't tell us.
;

external

\ Return device block size; cache it the first time we find the information.
\ This method is called by the deblocker.
: block-size ( -- n )
    /block if /block exit then          \ Don't ask if we already know.

    read-block-size dup to /block
;

headers

\ Read or write "#blks" blocks starting at "block#" into memory at "addr"
\ Input? is true for reading or false for writing.
\ Command is 8 for reading or h# a for writing.
\ We use the 6-byte forms of the disk read and write commands.

: 2c! ( n addr -- ) >r lbsplit 2drop r> +c! c! ;
: 4c! ( n addr -- ) >r lbsplit r> +c! +c! +c! c! ;

: r/w-blocks ( addr block# #blks input? command -- actual# )
    3 pick h# 100000 u>= if \ Use 10-byte form ( addr block# #blks dir cmd )
        h# 20 or 0 cb! \ 28 (read) or 2a (write) ( addr block# #blks dir )
        -rot swap ( addr dir #blks block# )
        cmdbuf 2 + 4c! ( addr dir #blks )
        dup cmdbuf 7 + 2c!

```



```

    d# 10                                ( addr dir #blks cmd-len )
else                                     \ Use 6-byte form ( addr block# #blks dir cmd )
    0 cb!                                ( addr block# #blks dir )
    -rot swap                            ( addr dir #blks block# )
    cmdbuf 1+ 3c!                         ( addr dir #blks )
    dup 4 cb!                             ( addr dir #blks )
    6                                      ( addr dir #blks cmd-len )
then
tuck >r >r                               ( addr input? #blks ) ( R: #blks cmd-len )
/block * swap cmdbuf r> -1                ( addr #bytes input? cmd cmd-len #retries )
retry-command if                          ( [ sensebuf ] hw? )
    0= if drop then r> drop 0
else                                       ( )
    r>
then                                       ( actual# )
;

external

\ These three methods are called by the deblocker.

: max-transfer ( -- n ) parent-max-transfer ;
: read-blocks ( addr block# #blocks -- #read ) true d# 8 r/w-blocks ;
: write-blocks ( addr block# #blocks -- #written ) false d# 10 r/w-blocks ;

\ Methods used by external clients

: open ( -- flag )
  my-unit " set-address" $call-parent

  \ It might be a good idea to do an inquiry here to determine the
  \ device configuration, checking the result to see if the device
  \ really is a disk.

  \ Make sure the disk is spinning.

  timed-spin if false exit then

  block-size to /block

  init-deblocker 0= if false exit then

  init-label-package 0= if
    deblocker close-package false exit
  then

  true
;

: close ( -- )
  label-package close-package
  deblocker close-package
;

: seek ( offset.low offset.high -- okay? )
  offset-low offset-high x+ " seek" deblocker $call-method
;

: read ( addr len -- actual-len ) " read" deblocker $call-method ;
: write ( addr len -- actual-len ) " write" deblocker $call-method ;
: load ( addr -- size ) " load" label-package $call-method ;

headers

```

E.6.6 scsitape.fth

```
\ SCSI tape package implementing a "byte" device-type interface.
\ Supports both fixed-length-record and variable-length-record tape devices.

" st" encode-string " name" property
" byte"           device-type

fload scsicom.fth          \ Utility routines for SCSI commands

hex

external

false instance value at-eof?      \ Turned on when read-blocks hits file mark.

headers

false instance value fixed-len?   \ True if the device has fixed-length blocks.
false instance value written?     \ True if the tape has been written.

0 instance value /tapeblock       \ Max length for variable-length records;
                                   \ actual length for fixed-length records.

create write-eof-cmd  h# 10 c, 1 c, 0 c, 0 c, 1 c, 0 c,

external

\ Writes a file mark.

: write-eof ( -- error? ) write-eof-cmd no-data-command ;

headers

\ Writes a file mark if the tape has been written since the last seek
\ or rewind or write-eof.

: ?write-eof ( -- )
  written? if
    false to written?
    write-eof if ." Can't write file mark." cr then
  then
;

create rewind-cmd  1 c, 1 c, 0 c, 0 c, 0 c, 0 c,

: rewind ( -- error? )          \ Rewinds the tape.
  ?write-eof
  false to at-eof?
  rewind-cmd no-data-command
;

create skip-files-cmd h# 11 c, 1 c, 0 c, 0 c, 0 c, 0 c,

: skip-files ( n -- error? )    \ Skips n file marks.
  ?write-eof
  false to at-eof?              ( n )
  skip-files-cmd 2 + 3c!        ( )
  skip-files-cmd no-data-command ( error? )
;

;
```

```

\ Asks the device its record length.
\ Also determines fixed or variable length.

create block-limit-cmd 5 c, 0 c, 0 c, 0 c, 0 c, 0 c,

: 2c@ ( addr -- n ) 1 + -c@ c@          bwjoin ;

: get-record-length ( -- )
  6 block-limit-cmd 6 short-data-command if
    d# 512 true ( blocksize fixed-len )
  else
    dup 1 + 3c@ swap 4 + 2c@ ( buffer )
    over = ( max-len min-len )
  then ( blocksize fixed-len? )
  to fixed-len? ( blocksize fixed-len? )
  ( blocksize )

  dup parent-max-transfer u> if ( blocksize )
    drop parent-max-transfer ( blocksize' )
  then ( blocksize )

  to /tapeblock ( )
;

true instance value first-install? \ Used for rewind-on-first-open.

\ Words to decode various interesting fields in the extended status buffer.
\ Used by actual-#blocks.

\ Incorrect length

: ili? ( statbuf -- flag ) 2 + c@ h# 20 and 0<> ;

\ End of Media, End of File, or Blank Check

: eof? ( statbuf -- flag )
  dup 2 + c@ h# c0 and 0<> swap 3 + c@ h# f and 8 = or
;

\ Difference between requested count and actual count

: residue ( statbuf -- residue ) 3 + 4c@ ;

0 instance value #requested \ Local variable for r/w-some and actual-#blocks

\ Decodes the status information returned by the SCSI command to
\ determine the number of blocks actually tranferred.

: actual-#blocks ( [[xstatbuf] hw-err? ] status -- #xfered flag )
  if \ Error ( true | xstatbuf false )
    if \ Hardware error; none tranferred ( )
      0 false ( 0 false )
    else \ Decode status buffer ( xstatbuf )
      >r #requested ( #requested ) ( r: xstatbuf )
      r@ ili? r@ eof? or if ( #requested ) ( r: xstatbuf )
        r@ residue - ( #xfered ) ( r: xstatbuf )
      then ( #xfered ) ( r: xstatbuf )
      r> eof? ( #xfered flag )
    then
  else \ no error, #request = #xfered ( )
    #requested false ( #xfered flag )
  end

```

```

    then
    to at-eof?
;

\ Reads or writes at most "#blks" blocks, returning the actual number
\ of blocks transferred, and an error indicator that is true if either a
\ fatal error occurs or the end of a tape file is reached.

: r/w-some ( addr #blks input? cmd -- actual# error? )
  0 cb! swap ( addr dir #blks )
  fixed-len? if ( addr dir #blks )

    \ If the tape has fixed-length records, multiply the
    \ requested number of blocks by the record size.

    dup to #requested ( addr dir #blks )
    dup /tapeblock * swap 1 ( addr dir #bytes cmd-cnt 1=fixed-len )

  else \ variable length ( addr dir #bytes )

    \ If the tape has variable length records, transfer one record.

    drop /tapeblock ( addr dir #bytes )
    dup to #requested ( addr dir #bytes )
    dup 0 ( addr dir #bytes cmd-cnt 0=variable-len )

  then ( addr dir #bytes cmd-cnt byte1 )

  1 cb! cmdbuf 2 + 3c! ( addr dir #bytes )
  swap cmdbuf 6 -1 ( dma-addr, len dir cmd-addr, len #retries )
  retry-command actual-#blocks ( actual# )
;

\ Discard (for read) or flush (for write) any bytes that are buffered by
\ the deblocker.

: flush-deblocker ( -- )
  deblocker close-package init-deblocker drop
;

external

\ The deblocker package calls max-transfer to determine an appropriate
\ internal buffer size.

: max-transfer ( -- n )
  fixed-len? if
    \ Use the largest multiple of /tapeblock that is <= parent-max-transfer.
    parent-max-transfer /tapeblock / /tapeblock *
  else
    /tapeblock
  then
;

\ The deblocker package calls block-size to determine an appropriate
\ granularity for accesses.

: block-size ( -- n )
  fixed-len? if /tapeblock else 1 then
;

\ The deblocker uses read-blocks and write-blocks to access tape records.
```

```
\ The assumption of sequential access is guaranteed because this code is only
\ called from the deblocker. Since the SCSI tape package implements its
\ own "seek" method, the deblocker seek method is never called, and the
\ deblocker's internal position only changes sequentially.
```

```
: read-blocks ( addr block# #blocks -- #read )
  nip                                ( addr #blocks ) \ Sequential access

  \ Don't read past a file mark
  at-eof? if 2drop 0 exit then      ( addr #blocks )

  true 8 r/w-some                    ( #read )
;
```

```
: write-blocks ( addr block# #blocks -- #read )
  nip                                ( addr #blocks ) \ Sequential access
  true to written?                  ( addr #blocks )
  false h# a r/w-some               ( #written )
;
```

```
\ Methods used by external clients
```

```
: read ( addr len -- actual-len ) " read" deblocker $call-method ;

: write ( addr len -- actual-len )
  " write" deblocker $call-method ( actual-len )
  flush-deblocker \ Make the tape structure reflect the write pattern
;
```

```
: open ( -- okay? )
  my-unit " set-address" $call-parent
```

```
\ It might be a good idea to do an inquiry here to determine the
\ device configuration, checking the result to see if the device
\ really is a tape.
```

```
first-install? if
  rewind if
    ." Can't rewind tape" cr
    false exit
  then
  false to first-install?
then
```

```
get-record-length
```

```
init-deblocker ( okay? )
```

```
;

: close ( -- )
  deblocker close-package
  ?write-eof
;
```

```
0 value buf
h# 200 constant /buf
```

```
\ It would be better to keep track of the current file number and
\ just seek forward if the requested file number/position is greater
\ than the current file number/position. Taking care of end-of-file
\ conditions would be tricky though.
```

```

: seek ( byte# file# -- error? )

    flush-deblocker                ( byte# file# )

    rewind      if 2drop true exit then ( byte# file# )

    ?dup if ( byte# file# )
        skip-files if drop true exit then ( byte# )
    then ( byte# )

    ?dup if ( byte# )
        /buf alloc-mem to buf
        begin dup 0> while ( #remaining )
            buf over /buf min read ( #remaining #read )
            dup 0= if 2drop true exit then ( #remaining #read )
            - ( #remaining' )
            repeat ( 0 )
            drop ( )
            buf /buf free-mem ( )
        then ( )

    false ( no-error )
;

: load ( loadaddr -- size )
    my-args dup if ( loadaddr addr len )
        $number if ( loadaddr )
            ." Invalid tape file number" cr ( loadaddr )
            drop 0 exit ( 0 )
        then ( loadaddr n )
    else ( loadaddr addr 0 )
        nip ( loadaddr 0 )
    then ( loadaddr file# )

    0 swap seek if ( loadaddr )
        ." Can't select the requested tape file" cr
        0 exit
    then ( loadaddr )

    \ Try to read the entire tape file. We ask for a huge size
    \ (almost 2 Gbytes), and let the deblocker take care of
    \ breaking it up into manageable chunks. The operation
    \ will cease when a file mark is reached.

    h# 70000000 read ( size )
;

headers

```

Annex F Answers to common questions

(informative)

F.1 What is the expected (not required) overall flow of the use of Open Firmware?

At power-on time the platform and all plug-in options do any necessary internal self-test and initialization. The scope of Open Firmware begins when the platform starts to determine its I/O topology, i.e., determine what devices are reachable and by what physical paths through the bus system. The Open Firmware in the platform builds a *device tree* data structure to represent this topology by asking each bus node to probe itself, thus finding what devices are installed and creating nodes containing their device names and properties. If there are bus bridges subordinate to those first-level buses, the process is repeated recursively, thus probing deeper into the tree.

“Probing” involves reading *bytes* at designated (but bus-dependent) addresses where devices might reside, then for populated addresses, checking that an FCode ROM has been located. If so, successive bytes are read from the FCode ROM on the card and interpreted as *FCode functions* by the platform *firmware*. As it runs, this *FCode program* from the card creates *properties* and *methods* in the current (originally blank) node in the device tree. At any point, this program can cause succeeding bytes to be incrementally compiled, rather than interpreted. A device that might be “interesting” at boot time would nominally fill in the full set of properties (via **property**, 5.3.5.3) and methods (via **external-token**, 5.3.3.1) specified by Open Firmware for its *device type* (see 3.7). Other devices that are less “interesting” at boot time, like a fax modem, are only expected to fill in their “**name**” and possibly their “**reg**” and “**interrupts**” properties. Note that the node on the device tree is not filled in by platform-based code based on data read from the card ROM, but rather an FCode program is retrieved from the card and executed, thus filling in the node.

Once the platform’s boot firmware has constructed the device tree and possibly conducted some further level of system self-testing, it selects boot devices based on some combination of information in the platform’s boot ROM, nonvolatile RAM, and, once selected, the system boot console. Boot devices consist mainly of the console display and keyboard devices, and the device that provides the code image being booted. The platform’s Open Firmware polls the console input device for characters, prints output characters to the console display, and calls the *load* method of the selected source device to read a *client program* into memory. If the load method completes successfully, the firmware transfers control to the client program.

The client program could immediately take over the system, wiping away all Open Firmware structures, or it could be a secondary loader program that uses the facilities of the Open Firmware *client interface* (Clause 6), and indirectly the Open Firmware methods of the devices, to perform various functions and load successive images for portions of the run-time OS.

Ultimately, when the run-time OS assumes control of the system, it may choose to inherit some or all of the device tree information from Open Firmware, or to keep the entire device tree around for fatal system errors or system resets. Alternatively, the OS could wipe away all traces of Open Firmware from system memory and conduct its own system probe, etc.

For a more detailed description on any of these steps, see 4.2, other related areas of the body of the Open Firmware standard, or the responses to the following questions.

F.2 How does the overall firmware operation work, considering the interactions between the CPU firmware, the FCode drivers, and the operating system?

Here is an overview of the operation of a hypothetical computer system that uses Open Firmware. It describes the interactions among the hardware, the *firmware*, and the operating system. We assume that the system in question

uses the complete set of Open Firmware interfaces. In practice, some systems will choose to implement only one or two of the three Open Firmware interfaces. For such systems, the behaviors of any non-Open Firmware interfaces may, of course, differ from the behavior described herein.

After the system is powered on, power-on self-test (POST) code (whose details are outside the scope of this standard) executes, determining that the core hardware is operational, then passes control to the Open Firmware. The Open Firmware initializes itself and any core hardware that is needed for the basic operation of the firmware. This initialization step includes building the portion of the *device tree* that represents the system's *built-in devices*. The mechanism for accomplishing this is not specified herein; although a firmware system might choose to use FCode to represent the built-in part of the device tree, that built-in portion could equally well be "hard-coded" as an internal data structure.

The next step is to augment the device tree to include *plug-in devices*. It is here that the Open Firmware *device interface* comes into play. The firmware scans the slots of its expansion bus or buses. For each card that it finds, it interprets the *FCode program* stored on that card, resulting in the creation of one or more *device nodes* describing that card. In the case of a card that is a bridge to another bus, an entire hierarchy of device nodes might be created, perhaps as a result of a recursive process in which FCode programs on cards subordinate to that bus bridge are interpreted. (Device nodes for plug-in devices could also be created by some mechanism other than interpreting FCode programs, for example, by reading bus-dependent standard configuration registers.)

The advantage of FCode is that its design is neither bus-specific, processor-specific, nor operating system-specific, thus avoiding the need to invent and support a new configuration mechanism for each new bus.

After all of the plug-in slots have been probed, the device tree contains a complete representation of the hardware configuration. Each device node has a set of properties that describe the static characteristics of the associated device and (optionally) a set of *methods* that the firmware can use to drive the device. The firmware selects devices for its console input and output functions, using the device node methods to drive the devices, and displays a banner identifying the system and its configuration.

The firmware selects a boot device and uses its device node methods to *load* a program, perhaps from a well-known group of disk sectors. Typically, the program is an intermediate boot program whose job is to load the operating system, which might be stored in a disk file. The intermediate boot program would be responsible for understanding the file system layout and file format used by that operating system. The intermediate boot program could use firmware services provided by the Open Firmware *client interface* to do things like allocating memory and performing low-level disk reads. Thus, the intermediate boot program would be concerned only with knowing the specifics of the file system format, and would not need to know processor-specific or system-configuration-specific information. This separation of function and responsibility simplifies the design of such programs, makes them easier to maintain, and allows the same boot program to be used in different system configurations.

After the boot program has loaded the operating system, the boot program can exit if it is no longer needed, or it can remain resident to provide additional services to assist the operating system in its configuration process. For example, the operating system might wish to take advantage of the booter's knowledge of the file-system format, using the booter to load configuration-dependent extension modules before the OS is fully operational.

As the OS is configuring itself, it uses firmware services via the Open Firmware client interface for such purposes as determining the hardware configuration, displaying progress messages, and (perhaps with the help of the booter program) performing disk or network I/O.

At some point, the operating system completes its configuration process to the extent that it no longer needs firmware services and can then reclaim any resources used by the firmware, assuming complete responsibility for managing all system resources. Once it has done so, the OS must ensure that the firmware is not invoked (i.e., by taking control of traps or interrupts that could enter the firmware and by not calling firmware *client interface services*). Alternatively, the OS could allow the firmware to remain resident and operational by not reclaiming the resources (primarily memory) that the firmware is using. Doing so would allow the OS to continue to invoke

firmware services as needed. The Open Firmware design assumes that the operating system will not be making heavy use of firmware services once the OS is fully operational; however, it is reasonable for an OS to make occasional use of firmware services. Examples of such occasional uses include the following:

- Sending error messages to a diagnostic console
- Browsing the firmware device tree when a user wishes to inspect the hardware configuration
- Displaying and setting firmware *configuration variables* in nonvolatile memory
- Debugging the operating system using Open Firmware’s software debugging features
- Rebooting

Since the Open Firmware execution model assumes a single thread of control, it is the operating system’s responsibility to ensure that firmware client interface services are called in a manner consistent with this execution model. Typically, on a multiprocessor system, the firmware initialization, booting, and operating system configuration steps all execute on a single processor, and the operating system enables multiprocessor mode only after those steps are complete.

If the *client program* desires to take over the management of resources and wishes to continue to use certain non-memory-allocating services of Open Firmware, it must use the device tree client interface functions at some well-defined point in time to find out about all “**available**” and “**existing**” resources and respect Open Firmware’s use of allocated resources not appearing in the “**available**” properties.

Upon reentering Open Firmware via the “**enter**” or “**exit**” client interface function, the states of the resources are as they were left by Open Firmware and the client program modifications to them via use of the client interface.

The handling of “fatal errors” is implementation-dependent because the specification of these errors is implementation-dependent. For the most part, the ISA or platform implementation of Open Firmware should specify which errors it is prepared to handle and which it is not, and which errors cause an internal reset and which do not. For example, on SPARC implementations, one might expect a watchdog reset to be handled by Open Firmware with very little state remaining, but a divide-by-zero error or unaligned-access error might be handled without resetting all state information.

F.3 Which Open Firmware interfaces do I need to be compliant? Can I mix Open Firmware-compliant interfaces with other existing firmware interfaces?

The three interfaces defined by this specification are individually optional. A compliant *firmware* implementation can have any combination of the three interfaces, depending on the capabilities and the requirements of the computer system. Some examples follow.

A general-purpose computer system with an expansion bus, intended to run a general-purpose operating system (or perhaps several different operating systems) would benefit from all three of the Open Firmware interfaces. The *device interface* would allow the firmware to identify and use *plug-in devices* added to the system via the expansion bus. The *client interface* would allow the operating system to configure itself to use those devices automatically. The user interface would allow a user or system administrator to manage the system when the operating system is not running.

A computer system with no expansion bus would not need the device interface, but it could still benefit from the client interface and the user interface. Although the configuration of a nonexpandable system is presumably fixed, an operating system might still need to determine that configuration at run-time, thus letting a single “shrink-wrapped” operating system work on a variety of different systems within the same “family.” Some of the systems in that family might be expandable, and others nonexpandable. The single operating system would not need to know any of the hardware system configuration details in advance. The user interface would allow the user to test the hardware and to control, for example, which disk boots the operating system.

An expandable computer system with a built-in operating system (perhaps an OS in ROM) might implement the Open Firmware device interface directly within the OS, giving that OS the ability to identify and initialize plug-in devices on standard buses.

A non-expandable system that is intended to run a single operating system that uses a proprietary interface to the firmware might choose to have only the Open Firmware user interface, perhaps for its debugging capabilities.

Many combinations of Open Firmware-compliant interfaces mixed with other proprietary firmware interfaces are plausible. Furthermore, since each of the Open Firmware interfaces is extensible, an Open Firmware compliant interface can be augmented to support system-specific requirements, such as “legacy” buses with proprietary identification mechanisms, other OS-to-firmware interface protocols, and additional user interface paradigms, such as backwards compatibility with a vendor’s pre-existing firmware user interface or graphical user interface shells.

Another possibility would be to implement another client interface “on top of” the Open Firmware client interface.

F.4 What is the distinction between a *probe address* and a *unit address*?

The *probe address* is the address of a plug-in card, or equivalently, the address of the slot into which it plugs. The process of creating one or more *device nodes* for a plug-in card involves executing an *FCode program*. Before that FCode program is executed, the *firmware* system does not know where the devices on that card are located within the address space available to it. The system firmware knows only the address of the card itself: the probe address, which is established by **set-args** and returned by **my-address** and **my-space**. It is the responsibility of the card’s FCode program to know the addresses of the devices on the card, publishing those addresses in a “**reg**” *property* for each device. Within a given “**reg**” property, the first such address is the device node’s *unit address*, the address that identifies a device node. The unit address of a device is the address that matches when resolving a pathname (to select a particular device node).

In most cases, the FCode program for a device (or group of devices) does not know the device’s unit address directly. Instead, it knows how to calculate the unit address from the probe address. In general, that calculation depends both on the design of the particular bus and on the details of the individual card.

As a particularly simple example, consider an SBus card [see B2] with two logically independent devices, device A and device B, on it. According to the SBus specification, each SBus slot has its own 28-bit address space, separate from the address spaces of other slots. The complete unit address of a device on an SBus consists of a slot number and an offset within that slot’s 28-bit space. The probe address of an SBus slot is the slot number and an offset of zero. (Coincidentally, that probe address also happens to be the address of an SBus card’s FCode program; that is not necessarily the case for other buses.) In our example, let us assume that device A begins at offset (hex) 20000 within the slot’s address space, and device B begins at offset (hex) 30000. The FCode program would calculate device A’s unit address by adding 20000 to the probe address offset (which happens to be zero for SBus) returned by **my-address**, and using the slot number returned by **my-space**. For SBus, in which the addressing is strictly slot-based, the slot number of the probe address is always the same as the slot number of the devices in that slot. That observation may appear to be trivial, but it is not necessarily so for other buses. Some buses have separate configuration, memory, and I/O address spaces. The configuration space is usually addressed with something like a slot number, while the other address spaces, in which individual devices reside, might have no fixed relationship with slots.

In general, an arbitrarily complex calculation, possibly involving dynamic address allocation, might be necessary in order to determine the unit address of a particular device on an arbitrary bus. However, when selecting the unit address representation for a new bus, it is generally a good idea to choose a form that does not change when other cards are installed or removed, thus ensuring that the pathname of a particular device does not depend on the presence or absence of other unrelated devices. This argues against the use of dynamic allocation for the unit address portion of a device’s address (however, on some buses there may be no choice). Note that the unit address is not the only device address that can be published in a “**reg**” property; the unit address is the first such address,

but there can be additional ones, and the recommendation against dynamic allocation does not apply to those others, which do not appear in pathnames.

One additional consideration results from device nodes that have no “**reg**” properties, and thus have no fixed unit address. A pathname selecting such a wildcard node can still have a unit address component; a wildcard node matches any unit address. For an instance created from such a wildcard match, **my-unit** returns the unit address from the pathname, rather than the unit address from the “**reg**” property.

F.5 Do calls get passed from driver to driver down the device tree, or does the platform’s boot firmware “talk” directly to the leaf driver?

When the platform’s boot *firmware* or a client program *opens a device driver*, it gets an instance handle for the leaf driver itself (e.g., the “**enet**” device driver in figure F.1). Open instances are also created for each of the drivers in the path to the *leaf node*, giving each node an opportunity to prepare the communication path to its child and a handle to invoke the services of its parent. The high-level code talks directly to the leaf node, and the leaf node asks its parent for help (via the parent’s *methods*) when needed.

F.6 Where is the driver’s state information kept? How does it remember what it learned or set up at probe time and between calls to its methods?

There are generally three places where a driver stores state information: the *device tree*, static variables, and the *open* instance context.

The device tree should be used to store *properties* and *methods*—things that are of general, long-term interest to other entities and to the driver itself, related to what the driver can do, how to link with it, etc. If a driver must coordinate its activities with other nodes for the same type of device (e.g., identical LAN cards in separate slots), it must rendezvous by searching the device tree, since this is the only mechanism for sharing information among tree nodes. Also, whenever a driver is called, it always has access to its own node, to a handle back to its parent’s node on the device tree, and to the device tree as a whole, giving it access to the parent’s services and knowledge of its current location in the platform’s topology. Since some systems may choose to keep the device tree around when the run-time OS is active, the amount of memory that a driver attaches to the device tree should be small.

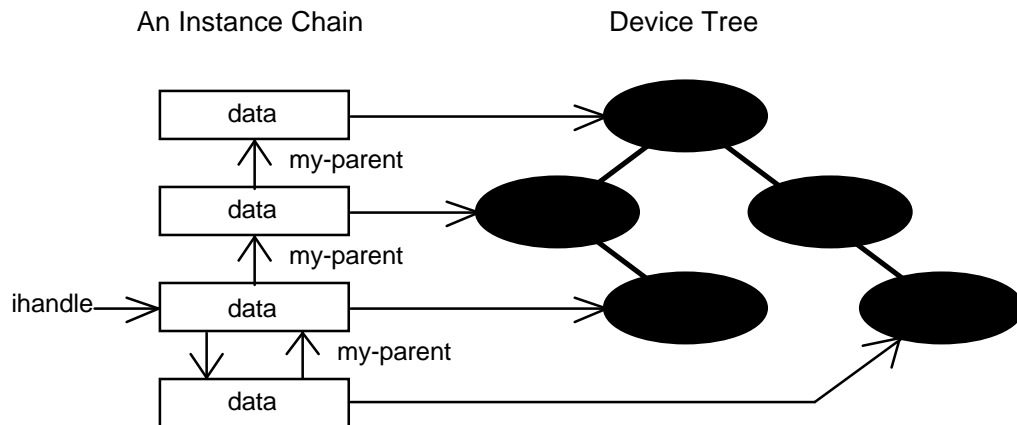
Static variables are basically device tree node-global variables. An instance of each variable is set up when the node is probed and it stays around as long as Open Firmware is active. Since it is only node-global and not platform-global, it cannot be used to share information among instances of the same driver for multiple, identical devices. Its main use is for long-term *private data* structures. Again, since some systems may choose to keep the Open Firmware around while the run-time OS is running, the amount of memory devoted to static variables should also be minimized.

Open-instance context memory is provided to the driver for each currently open instance handle. It is created at open-time and destroyed at close-time. This is where the bulk of the driver’s information should normally be stored. Its main use is for variables, queues, buffers, etc., that are used during and between invocations of the driver’s methods related to the current open instance.

F.7 What is a *support package*?

Open Firmware assumes relatively mature *device drivers*: Keyboards are expected to provide ISO 8859-1 (Latin) characters (see ISO 8859-1 : 1987 in 2.1), console displays are expected to take these codes and display them, and boot image source devices are expected to *load* the related image. But many of these devices have several large operations in common. Many LAN devices can use the same boot protocols. Many console devices use simple pixel frame-buffers for which software must “*paint*” characters. Rather than require the entire functionality for each device to reside in its ROM, Open Firmware provides for *support packages* that are located in the platform’s ROM and shareable by all interested devices, such as library routines.

To use a support package, a driver locates the *package* off the root and *opens* it (with **open-package**). This effectively makes the open instance of the support package a child of the driver itself. For example, the TFTP boot support package can be opened by the “enet” driver, as shown in figure F.1. The “enet” driver passes the **load** command on to the **load method** for the “obp-tftp” support package. The support package performs the load operation, invoking the **read** and **write** methods of its parent, the “enet” driver, to send protocol packets and receive protocol and load data over the LAN.



The top three instances in the chain were opened from the pathname, e.g., "/sbus/enet", as with **open-dev**. Client programs or other "applications" invoke the driver via the **ihandle** returned by **open-dev**.

The bottom instance in the chain was opened from the package "obp-tftp", as with **open-package**. The instance that opened the package is responsible for storing its **ihandle**, allowing calls in the downward direction. Upward calls are done with the **ihandle** returned by **my-parent**.

Figure F.1—Support package relationships

F.8I'm confused by the display drivers: Are they simple frame-buffers or do they contain their own fonts, etc.?

They can be either. Again, as mentioned above, Open Firmware assumes fairly mature *device drivers* that can directly display characters. Therefore, a display with its own fonts and rendering capability would handle the characters directly. However, there are several *support packages* supplied for the simpler frame-buffer display devices. In figure F.1, the display driver can **write** a buffer of characters by invoking the **draw-character method** of the display low-level interface support package which in turn uses the services of the 8-bit frame-buffer support routines to write the character pixels back into the parent's (i.e., the simple display driver's) frame-buffer.

F.9What are the relationships among address types?

In general, each bus in a system has its own, possibly orthogonal address space. The number of bits and the assignment of values for each may vary. Some buses have separate memory and I/O register address spaces. Commonly, the system CPU is served by a *memory management unit (MMU)* that creates a huge, logically contiguous virtual memory space by mapping regions of virtual memory onto dynamically reassigned physical RAM pages. (Notice that *FCode programs* never directly use any of these address formats. Instead addresses are used as parameters to Open Firmware interface routines that may translate their interpretation as appropriate for the specific hardware platform.)

In this document, addresses directly used by the driver are referred to as *virtual addresses*. Typical access to system memory is via a virtual address, which may or may not involve mapping to the physical RAM pages by an MMU, depending on how the given platform operates during boot time.

Virtual addresses are also used by the driver to access card registers. Consider the example in figure F.2. In order for the driver to write a control register on the Network I/O card, the virtual address used by the driver must be mapped onto the I/O bus address value that will select the targeted device register when it is asserted on the directly connected expansion I/O bus. Setting up this mapping generally involves calling the *device driver* for each bus bridge, starting at the bottom of the tree and working up, mapping from one bus's address space to the next, and possibly setting up mapping registers in each bus bridge to support the driver's access. The driver for the top bus bridge, in conjunction with the platform's *firmware*, finally establishes the mapping into the driver's virtual address space.

Physical addresses are generally used by an I/O card to access system memory. In order for the Network I/O card in figure F.2 to traverse DMA data structures in system memory, the driver must pass an initial pointer to the I/O card and link together the data structures using address values that are card-relative: i.e., memory address values that will map to the proper system memory locations when the card asserts them on its directly connected expansion I/O bus. The driver would set up these I/O card-relative addresses as follows. First it would use **dma-alloc** to allocate the one or more major blocks in system memory that will contain the data structures. **dma-alloc** returns a virtual address, V0. Next, the driver would call **dma-map-in** in order to translate its virtual address for each overall block into the corresponding card-relative, I/O bus base address, P0. Finally, the driver can translate any of its pointers to a data object in the memory region, into an I/O address value that is usable by the card via simple byte math: $P1 = P0 + (V1 - V0)$.

Incidentally, processor caches, if any, for the DMA memory region are flushed by **dma-map-in**. This is too early in the above scenarios, since the driver is still writing into the DMA data structures. Properly speaking, when the driver is done writing into the DMA structures and before it sends a command to the I/O card related to these structures, it should do a **dma-sync** to flush the processor's caches out to system memory, where the card can "see" the most recently written values.

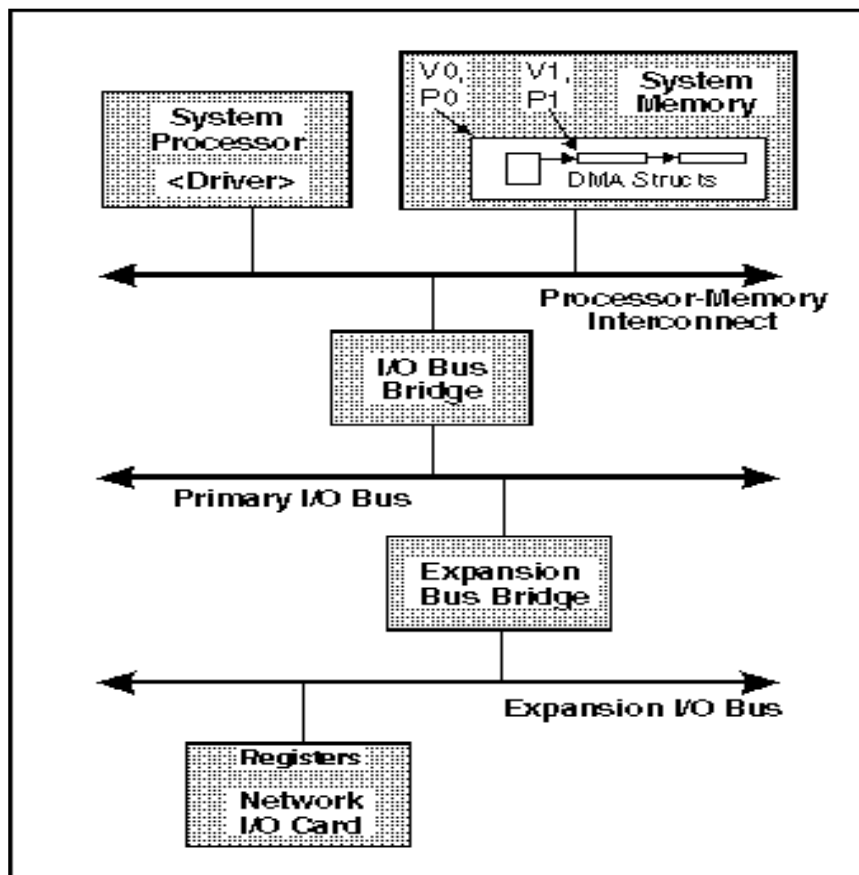


Figure F.2—Addressing relationships

F.10 Does Open Firmware support only Ethernet/IEEE 802.3 [B3]?

Historically, OpenBoot systems have mainly worked over Ethernet networks. Therefore, the “**network**” *device type* for these devices is more developed and there are more *support packages* for the related protocols. However, any network link type can be accommodated in one of the following three ways:

- Many link types are similar enough protocol-wise that they can adapt themselves to the current Ethernet/IEEE 802.3 interface, providing link-related translations as appropriate. These links can use the existing support packages (e.g., “**obp-tftp**”).
- Any link-type can be used for booting using the Open Firmware interfaces, as long as they don’t require the use of the existing support packages for Ethernet/IEEE 802.3. The **load** command comes directly to the driver anyway.
- Future “network-XXX” device types are expected to be defined. An attractive work item would be a more “generic” network link interface. This would support a suite of load protocol support packages that would work with almost any link.

F.11 Does Open Firmware expect that a system has a platform-global network MAC address?

No. The “**local-mac-address**” *property* is used initially to inform the platform of the LAN card’s factory-default MAC address. The **mac-address** *method* is used by the LAN card’s driver to determine whether or not to override the factory preset with an alternative value. It is up to the platform to determine what MAC address values should be used by specific LAN cards. These could be left at their factory settings, overridden from configuration tables, or set to a machine-global MAC value, if appropriate.

F.12 Does the ROM in a plug-in card contain ASCII Forth code?

Not really. Only the human user interface uses Forth directly in ASCII form. The ROM on a plug-in card contains FCode. FCode is semantically similar to Forth source code, but the representation is different. Whereas Forth source code is written as a series of human-readable text strings, FCode is a series of binary *byte* codes. The set of predefined FCode byte codes encompasses most of the core words of ANSI X3.215-1994 (omitting only those *Forth words* that are meaningful only for Forth source code in its text form) and adds additional functions specific to the Open Firmware environment. A developer typically writes an *FCode program* in Forth source form (ASCII text), which is then translated into the FCode bytes by a *tokenizer* program, thus producing the image that is stored in the card ROM.

During the development and debugging phase, an FCode program does not necessarily need not be converted from source form to binary form. If an Open Firmware user interface with the Firmware Debugging *command group* is available, the FCode program can be tested directly in source form. The tokenization step could then be delayed until the program is fully debugged and ready for installation on production units.

F.13 How does Open Firmware pass interrupts to the device driver?

It doesn’t! Open Firmware is based on a very simple, boot-time I/O model. I/O devices are polled for completion. The interrupt specifications in Open Firmware are mainly used to pass system information to the run-time OS. Also the process model is single-threaded; there is only one, non-preempted program running at a time. For multi-CPU machines, only one processor is assumed to be actively running Open Firmware at boot-time.

F.14 Can an Open Firmware firmware design be undermined by a provision added by a new Instruction Set Architecture (ISA) or bus annex?

Drivers for plug-in I/O cards should use only the *FCode numbers* documented in this Open Firmware document, all of which are required in conforming platforms. New ISA specifications should not add to this list, since drivers written using new FCode numbers would not port to other ISAs. Similarly, I/O cards and their drivers should only have to comply with the bus annex that presents the requirements for the bus to which the I/O card is directly attached.

However, in platforms with multiple-bus hierarchies, as in figure F.2, the hardware and driver design of the bus bridges and their drivers must ensure that all Open Firmware and bus annex facilities are accessible when bus transactions must traverse intermediate buses. In other words, the expansion bus bridge in figure F.2 must ensure that all Open Firmware facilities can be successfully passed through the primary I/O bus to the expansion I/O bus.

Annex G Summary lists

(informative)

The following summary lists are provided for the reader's convenience. These lists are not definitive; in the event of discrepancies between them and the information contained elsewhere in this document, the other information has precedence.

G.1 Configuration variables

auto-boot?	(-- auto?)	If true , boot automatically after power-on or reset-all .
boot-device	(-- dev-str dev-len)	Default <i>device-name</i> for boot , if diagnostic-mode? is false .
boot-file	(-- arg-str arg-len)	Default <i>arguments</i> for boot , if diagnostic-mode? is false .
diag-device	(-- dev-str dev-len)	Default <i>device-name</i> for boot , if diagnostic-mode? is true .
diag-file	(-- arg-str arg-len)	Default <i>arguments</i> for boot , if diagnostic-mode? is true .
diag-switch?	(-- diag?)	If true , diagnostic-mode? returns true .
fcode-debug?	(-- names?)	If true , save names for FCodes with headers .
input-device	(-- dev-str dev-len)	Default console input device.
nvrarc	(-- data-addr data-len)	Contents of the <i>script</i> .
oem-banner	(-- text-str text-len)	Contain custom banner text, enabled by oem-banner? .
oem-banner?	(-- custom?)	If true , banner displays custom message in oem-banner .
oem-logo	(-- logo-addr logo-len)	Contain custom logo for banner , enabled by oem-logo? .
oem-logo?	(-- custom?)	If true , banner displays custom logo in oem-logo .
output-device	(-- dev-str dev-len)	Default console output device.
screen-#columns	(-- n)	Maximum number of columns on console output device.
screen-#rows	(-- n)	Maximum number of rows on console output device.
security-#badlogins	(-- n)	Contain total count of invalid security access attempts.
security-mode	(-- n)	Contain level of security access protection.
security-password	(-- password-str password-len)	Contain security password text string.
selftest-#megs	(-- n)	Number of megabytes of memory to test.
use-nvrarc?	(-- enabled?)	If true , the <i>script</i> is evaluated at system start-up.

G.2 Assigned FCode numbers

0x00	end0	0x1A	j	0x27	lshift
0x01-	Beginning codes of 2-byte	0x1B	b(leave)	0x28	rshift
0x0F	FCode sequences	0x1C	b(of)	0x29	>>a
0x10	b(lit)	0x1D	execute	0x2A	/mod
0x11	b('')	0x1E	+	0x2B	u/mod
0x12	b(")	0x1F	-	0x2C	negate
0x13	bbranch	0x20	*	0x2D	abs
0x14	b?branch	0x21	/	0x2E	min
0x15	b(loop)	0x22	mod	0x2F	max
0x16	b(+loop)	0x23	and	0x30	>r
0x17	b(do)	0x24	or	0x31	r>
0x18	b(?do)	0x25	xor	0x32	r@
0x19	i	0x26	invert	0x33	exit

0x34	0=	0x72	!	0xB0	bwjoin
0x35	0<>	0x73	1!	0xB1	b(<mark)
0x36	0<	0x74	w!	0xB2	b(>resolve)
0x37	0<=	0x75	c!	0xB3*	set-token-table
0x38	0>	0x76	2@	0xB4*	set-table
0x39	0>=	0x77	2!	0xB5	new-token
0x3A	<	0x78	move	0xB6	named-token
0x3B	>	0x79	fill	0xB7	b(:)
0x3C	=	0x7A	comp	0xB8	b(value)
0x3D	<>	0x7B	noop	0xB9	b(variable)
0x3E	u>	0x7C	lwsplit	0xBA	b(constant)
0x3F	u<=	0x7D	wljoin	0xBB	b(create)
0x40	u<	0x7E	lbsplit	0xBC	b(defer)
0x41	u>=	0x7F	bljoin	0xBD	b(buffer:)
0x42	>=	0x80	wbflip	0xBE	b(field)
0x43	<=	0x81	upc	0xBF*	b(code)
0x44	between	0x82	lcc	0xC0	instance
0x45	within	0x83	pack	0xC1	Reserved
0x46	drop	0x84	count	0xC2	b(;)
0x47	dup	0x85	body>	0xC3	b(to)
0x48	over	0x86	>body	0xC4	b(case)
0x49	swap	0x87	fcode-revision	0xC5	b(endcase)
0x4A	rot	0x88	span	0xC6	b(endof)
0x4B	-rot	0x89	unloop	0xC7	#
0x4C	tuck	0x8A	expect	0xC8	#s
0x4D	nip	0x8B	alloc-mem	0xC9	#>
0x4E	pick	0x8C	free-mem	0xCA	external-token
0x4F	roll	0x8D	key?	0xCB	\$find
0x50	?dup	0x8E	key	0xCC	offset16
0x51	depth	0x8F	emit	0xCD	evaluate
0x52	2drop	0x90	type	0xCE-	
0x53	2dup	0x91	(cr	0xCF	Reserved
0x54	2over	0x92	cr	0xD0	c,
0x55	2swap	0x93	#out	0xD1	w,
0x56	2rot	0x94	#line	0xD2	l,
0x57	2/	0x95	hold	0xD3	,
0x58	u2/	0x96	<#	0xD4	um*
0x59	2*	0x97	u#>	0xD5	um/mod
0x5A	/c	0x98	sign	0xD6-	
0x5B	/w	0x99	u#	0xD7	Reserved
0x5C	/L	0x9A	u#s	0xD8	d+
0x5D	/n	0x9B	u.	0xD9	d-
0x5E	cat	0x9C	u.r	0xDA	get-token
0x5F	wa+	0x9D	.	0xDB	set-token
0x60	la+	0x9E	.r	0xDC	state
0x61	na+	0x9F	.s	0xDD	compile,
0x62	char+	0xA0	base	0xDE	behavior
0x63	wal+	0xA1*	convert	0xDF-	
0x64	lal+	0xA2	\$number	0xEF	Reserved
0x65	cell+	0xA3	digit	0xF0	start0
0x66	chars	0xA4	-1	0xF1	start1
0x67	/w*	0xA5	0	0xF2	start2
0x68	/l*	0xA6	1	0xF3	start4
0x69	cells	0xA7	2	0xF4-	
0x6A	on	0xA8	3	0xFB	Reserved
0x6B	off	0xA9	bl	0xFC	ferror
0x6C	+!	0xAA	bs	0xFD	version1
0x6D	@	0xAB	bell	0xFE*	4-byte-id
0x6E	l@	0xAC	bounds	0xFF	endl
0x6F	w@	0xAD	here	0x100	Reserved
0x70	<w@	0xAE	aligned	0x101	dma-alloc
0x71	c@	0xAF	wbsplit	*	

0x102	my-address	0x15E	delete-characters	0x205	open-package
0x103	my-space	0x15F	insert-lines	0x206	close-package
0x104	memmap	0x160	delete-lines	0x207	find-method
*		0x161	draw-logo	0x208	call-package
0x105	free-virtual	0x162	frame-buffer-adr	0x209	\$call-parent
0x106	>physical	0x163	screen-height	0x20A	my-parent
*		0x164	screen-width	0x20B	ihandle>phandle
0x107		0x165	window-top	0x20C	Reserved
-	Reserved	0x166	window-left	0x20D	my-unit
0x10E		0x167		0x20E	\$call-method
0x10F	my-params	-	Reserved	0x20F	\$open-package
*		0x169		0x210	processor-type
0x110	property	0x16A	default-font	*	
0x111	encode-int	0x16B	set-font	0x211	firmware-version
0x112	encode+	0x16C	char-height	*	
0x113	encode-phys	0x16D	char-width	0x212	fcode-version
0x114	encode-string	0x16E	>font	*	
0x115	encode-bytes	0x16F	fontbytes	0x213	alarm
0x116	reg	0x170		0x214	(is-user-word)
0x117	intr	-	fb1- routines	0x215	suspend-fcode
†		0x17C		0x216	abort
0x118	driver	*		0x217	catch
*		0x17D		0x218	throw
0x119	model	-	Reserved	0x219	user-abort
0x11A	device-type	0x17F		0x21A	get-my-property
0x11B	parse-2int	0x180	fb8-draw-character	0x21B	decode-int
0x11C	is-install	0x181	fb8-reset-screen	0x21C	decode-string
0x11D	is-remove	0x182	fb8-toggle-cursor	0x21D	get-inherited-property
0x11E	is-selftest	0x183	fb8-erase-screen	0x21E	delete-property
0x11F	new-device	0x184	fb8-blink-screen	0x21F	get-package-property
0x120	diagnostic-mode?	0x185	fb8-invert-screen	0x220	cpeek
0x121	display-status	0x186	fb8-insert-characters	0x221	wpeek
0x122	memory-test-suite		fb8-delete-characters	0x222	lpeek
0x123	group-code	0x187		0x223	cpoke
*				0x224	wpoke
0x124	mask	0x188	fb8-insert-lines	0x225	lpoke
0x125	get-msecs	0x189	fb8-delete-lines	0x226	lwflip
0x126	ms	0x18A	fb8-draw-logo	0x227	lbflip
0x127	finish-device	0x18B	fb8-install	0x228	lbflips
0x128	decode-phys	0x18C		0x229	adr-mask
0x129		-	Reserved	*	
-	Reserved	0x18F		0x22A	
0x12F		0x190		-	Reserved
0x130	map-low	-	VME-bus support	0x22F	
0x131	sbus-intr>cpu	0x196		0x230	rb@
0x131		†		0x231	rb!
-	Reserved	0x197		0x232	rw@
0x14F		-	Reserved	0x233	rw!
0x150	#lines	0x19F		0x234	rl@
0x151	#columns	0x1A0	return-buffer	0x235	rl!
0x152	line#	*		0x236	wbflips
0x153	column#	0x1A1	xmit-packet	0x237	lwflips
0x154	inverse?	*		0x238	probe
0x155	inverse-screen?	0x1A2	poll-packet	*	
0x156	frame-buffer-busy?	*		0x239	probe-virtual
*		0x1A3	Reserved	*	
0x157	draw-character	0x1A4	mac-address		
0x158	reset-screen	0x1A5		0x23A	Reserved
0x159	toggle-cursor	-	Reserved	0x23B	child
0x15A	erase-screen	0x200		0x23C	peer
0x15B	blink-screen	0x201	device-name	0x23D	next-property
0x15C	invert-screen	0x202	my-args	0x23E	byte-load
0x15D	insert-characters	0x203	my-self	0x23F	set-args
		0x204	find-package		

IEEE
Std 1275-1994

IEEE STANDARD FOR BOOT (INITIALIZATION CONFIGURATION) FIRMWARE:

0x240	left-parse-string	0x600		0x800	
0x241		-	Vendor FCodes	-	Local FCodes
-	Reserved	0x7FF		0xFFF	
0x5FF					

* These are historical FCodes.

† These are obsolete FCodes.

Annex H Historical notes

(informative)

H.1 Overview and references

This Open Firmware standard is based on the following documents:

- *OpenBoot Command Reference* [B5]
- *Writing FCode Programs* [B7]

H.2 Obsolete FCodes

H.2.1 Previously implemented FCodes

Pre-Open Firmware versions of SBus [B2]*firmware* have used the following FCodes. None of these are required for an Open Firmware implementation; however, some implementations may choose to support these for the purpose of backwards compatibility.

H.2.1.1 Generic 1-bit frame-buffer support

The “**fb1**” generic frame-buffer *support package* implements the display device low-level interfaces for frame-buffers with one memory bit per pixel. It applies only to frame buffers organized as a series of doublets with *big-endian* addressing, with the most significant bit within a doublet corresponding to the leftmost pixel within the group of sixteen pixels controlled by that doublet. In normal (not inverse) video mode, background pixels are drawn with zero-bits, and foreground pixels with one-bits.

The working group committee feels that this class of devices is too restricted to justify requiring the presence of this set of support routines in all implementations of Open Firmware. Furthermore, the working group believes that the number of new devices that fit into this category is dwindling rapidly. However, there are a number of existing SBus devices that use these support routines. An implementation that intends to support those existing devices is advised to implement the following *FCode functions*.

Execution of **fb1-install** installs the other routines as the behaviors of the corresponding low-level display device interface **defer** words, and sets the values of **screen-height**, **screen-width**, **window-top**, **window-left**, **#lines**, and **#columns**.

fb1-blink-screen	(--)	F,O	0x174
Implement the “ fb1 ” blink-screen function.			

Typically implemented as: `fb1-invert-screen fb1-invert-screen`

NOTE—Typical generic implementations of this function are likely to be quite slow, since they probably will access each pixel on the screen four times. For most devices, there is a device-specific implementation for the **blink-screen** function that is much faster, for example disabling video output for about 20 ms. It is recommended that such device-specific implementations be used instead of the generic **fb1-blink-screen** function.

fb1-delete-characters	(n --)	F,O	0x177
Implement the “ fb1 ” delete-characters function.			

fb1-delete-lines	(n --)	F,O	0x179
Implement the “ fb1 ” delete-lines function.			

fb1-draw-character	(char --)	F,O	0x170
Implement the “ fb1 ” draw-character function.			
fb1-draw-logo	(line# addr width height --)	F,O	0x17A
Implement the “ fb1 ” draw-logo function.			
fb1-erase-screen	(--)	F,O	0x173
Implement the “ fb1 ” erase-screen function.			
fb1-insert-characters	(n --)	F,O	0x176
Implement the “ fb1 ” insert-characters function.			
fb1-insert-lines	(n --)	F,O	0x178
Implement the “ fb1 ” insert-lines function.			
fb1-install	(width height #columns #lines --)	F,O	0x17B
Install all built-in generic 1-bit frame-buffer routines.			
Install the “ fb1 ” generic 1-bit frame-buffer routines into the display device interface defer words, configuring the “ fb1 ” routines for a frame-buffer <i>height</i> pixels high, with successive scan lines <i>width</i> pixels apart.			
<i>#columns</i> and <i>#lines</i> indicate the maximum number of text columns and lines that the device is capable of supporting(<i>#columns</i> and <i>#lines</i> usually depend upon the width and height of the font to be used, among other things.)			
<i>width</i> is the difference between the starting memory addresses of two consecutive scan lines in the frame-buffer, multiplied by eight (the number of pixels per byte). For frame-buffers where all memory locations correspond to displayable pixels, this is the same as the width of the screen in pixels.			
<i>height</i> is the height of the display in scan lines.			
Set screen-width to the <i>width</i> argument, screen-height to the <i>height</i> argument, #columns to the minimum of <i>#columns</i> and screen-#columns , and #lines to the minimum of <i>#lines</i> and screen-#rows .			
Set window-top and window-left to center the text region on the screen (the calculation typically involves #columns , #lines , char-width , char-height , screen-width , and screen-height). The calculation assumes that <i>width</i> pixels per scan line are displayable. If some are not (for example, some number of pixels at the right of the display), it is the responsibility of the display driver to adjust window-left to locate the text region in an appropriate place after fb1-install returns.			
Usage restriction: char-width and char-height must be set before fb1-install is executed; otherwise, the centering is likely to be incorrect.			
See also: set-font			
fb1-invert-screen	(--)	F,O	0x175
Implement the “ fb1 ” invert-screen function.			
fb1-reset-screen	(--)	F,O	0x171
Implement the “ fb1 ” reset-screen function.			
This routine is usually implemented as a no-op.			
fb1-slide-up	(n --)	F,O	0x17C
Like fb1-delete-lines , but do not erase lines.			
Delete <i>n</i> lines at and below the cursor line, as with delete-lines , except do not erase the <i>n</i> lines at the bottom of the screen. The typical use for this command is to scroll the enable plane for frame-buffers with separate overlay and enable planes.			
fb1-toggle-cursor	(--)	F,O	0x172
Implement the “ fb1 ” toggle-cursor function.			

H.2.1.2 Other previously implemented FCodes

dma-alloc	(#bytes -- virtual)	F,O	0x101
Used to allocate some memory for DMA or other purposes.			
Some existing FCode programs use dma-alloc to allocate memory for general purposes not intended for DMA. Programs using this technique are not guaranteed to work.			
Equivalent to: " dma-alloc " \$call-parent			
See: alloc-mem.			
driver	(addr len --)	F,O	0x118
Creates the "name" property.			
Removes the manufacturer name prefix from the string <i>addr len</i> , then creates the "name" property from the remainder of the string. Previous versions of SBus firmware have implemented the process of removing the manufacturer name prefix in inconsistent ways; thus, there is no single definition of driver that will ensure backwards compatibility in all cases.			
NOTE —SBus [B2] developers were advised to avoid the use of this FCode function when the inconsistency was discovered, and the committee believes that its use has largely been eliminated.			
fcode-version	(-- n)	F,O	0x212
Return revision level of device interface (obsolete).			
This obsolete FCode has a behavior similar to fcode-revision .			
firmware-version	(-- n)	F,O	0x211
Return revision level of the OpenBoot Firmware.			
Encode the value as two doublets, holding the major/minor release number. For example, if the release number was 2.12, return the value 0x0002.000C.			
The allocation of version numbers is determined by the implementor of the Open Firmware and is not specified in this document.			
This FCode is obsolete.			
group-code	(-- a-addr)	F,O	0x123
Group offset for memory-test-suite (obsolete).			
A variable containing a group offset for distinguishing various self-tests in early versions of memory-test-suite . The value in group-code is added to the code# for individual tests, and the sum is displayed with display-status .			
intr	(sbus-interrupt# vector --)	F,O	0x117
Creates the "intr" property.			
See the description of the "intr" property for more details.			
memmap	(physoffset space size -- virtual)	F,O	0x104
Creates a memory mapping for some locations (obsolete.)			
my-params	(-- addr len)	F,O	0x10F
Contents of custom parameters (obsolete).			
<i>addr</i> is the address and <i>len</i> the length of the value of the "params" property of the <i>active package</i> , or a zero-length string if the <i>active package</i> has no "params" property.			
"params"		S,O	
Standard <i>property name</i> to set device-dependent modes.			
This property, if present, holds the value to be passed by the obsolete FCode my-params .			

>physical	(virtual -- physoffset space)	F,O	0x106
Return physical address for virtual address (obsolete).			
Given a virtual address, return the mapped physical address as a (physoffset space) pair.			
probe	(arg-addr arg-len reg-addr reg-len fcode-addr fcode-len --)	F,O	0x238
Execute FCode at given location (obsolete).			
Execute FCode at location given by <i>fcode-addr fcode-len</i> , passing arguments <i>arg-addr arg-len</i> and with registers <i>reg-addr reg-len</i> . <i>fcode-addr</i> , <i>fcode-len</i> and <i>reg-addr</i> , <i>reg-len</i> are the text representations of physical addresses within the address space of the <i>active package</i> .			
probe-virtual	(arg-addr arg-len reg-addr reg-len fcode-addr --)	F,O	0x239
Execute FCode at given location (obsolete).			
Like probe , but FCode is located at virtual address <i>fcode-addr</i> .			
processor-type	(-- processor-type)	F,O	0x210
Returns type of CPU (obsolete).			
Returns the type of processor (instruction set architecture). 0x5 indicates SPARC, other values are not used.			

H.2.2 Non-implemented FCodes

Pre-Open Firmware systems assigned the following FCode numbers, but the functions were not supported. To avoid any possible confusion, however, these FCode numbers are reserved and should not be reassigned.

adr-mask	0x229	poll-packet	0x1A2
b(code)	0xBF	return-buffer	0x1A0
4-byte-id	0xFE	set-token-table	0xB3
convert	0xA1	set-table	0xB4
frame-buffer-busy?	0x156	VME support words	0x190-0x196
		xmit-packet	0x1A1

H.3 Obsolete properties

Pre-Open Firmware versions of SBus [B2] *firmware* used the following properties. None of these are required for a Open Firmware implementation; however, some implementations may choose to support these for the purpose of backwards compatibility.

“params”	S,O
Standard <i>property name</i> to contain my-params data (obsolete).	
<i>Prop-encoded-array</i> :	
Data array, encoded with encode-bytes .	
This property, if present, holds the value to be passed by the obsolete FCode my-params.	
“scsi-initiator-id”	S,O
Standard <i>property name</i> to contain SCSI host address (obsolete).	
<i>prop-encoded-array</i> :	
Integer, encoded with encode-int .	
This property, if present, contains an integer 0–15 indicating the address of the main SCSI host adapter of the system.	

H.4 New FCodes and methods

Most pre-Open Firmware systems do not implement the following FCodes and *methods*:

FCode#	Name	Comments
0xC7	#	Not the same as old # (now called u#).
0xC9	#>	Not the same as old #> (now called u#>).
0xC8	#s	Not the same as old #s (now called u#s).
0xDE	behavior	
0x23E	byte-load	On pre-Open Firmware, " byte-load " \$find could be used.
0xDD	compile,	On pre-Open Firmware, " (compile) " \$find could be used.
0x128	decode-phys	
0xDA	get-token	
method	encode-unit	
0x227	lbflip	
0x228	lbflips	
0x229	lwflip	On pre-Open Firmware, the " wflip " tokenizer macro was used.
0x23D	next-property	
0x23F	set-args	On pre-Open Firmware, " set-args " \$find could be used.
0xDB	set-token	
0xDC	state	On pre-Open Firmware, " state " \$find could be used.
0x89	unloop	

H.5 New properties

Standard meanings for most of the following *properties* were introduced by this standard:

"#address-cells"	Standard <i>property</i> to define the package's address format.
"address-bits"	Standard <i>property</i> to indicate number of network address bits.
"bootargs"	Standard <i>property</i> containing the chosen boot command <i>arguments</i> .
"bootpath"	Standard <i>property</i> containing the chosen boot <i>device-path</i> .
"character-set"	Standard <i>property</i> to specify the character set for this device.
"compatible"	Standard <i>property</i> to define alternate " name " property values.
"max-frame-size"	Standard <i>property</i> to indicate maximum allowable packet size.
"#size-cells"	Standard <i>property</i> to define the package's address <i>size</i> format.
"status"	Standard <i>property</i> to indicate the operational status of this device.
"stdin"	Standard <i>property</i> containing the <i>ihandle</i> of the console input device.
"stdout"	Standard <i>property</i> containing the <i>ihandle</i> of the console output device.

H.6 New user interface commands

Most pre-Open Firmware systems do not implement the following user interface commands.

apply	(... "method-name<>device-specifier<>" -- ???)	Execute named method in the specified package.
char	("text<>" -- char)	Generate numeric code for next character from input buffer.
[char]	(C: [text<>] --) (-- char)	Generate numeric code for next character from input buffer.
close-dev	(ihandle --)	Close device and all of its parents.
\$create	(E: -- a-addr) (name-str name-len --)	Call create ; new name specified by <i>name string</i> .
environment?	(str len -- false value true)	Return system information based on input keyword.
fm/mod	(d n -- rem quot)	Divide <i>d</i> by <i>n</i> .
noshowstack	(--)	Turn off showstack (automatic stack display).
parse	(delim "text<delim>" -- str len)	Parse text from the input buffer, delimited by <i>delim</i> .
parse-word	("text<>" -- str len)	Parse text from the input buffer, delimited by white space.
(patch)	(new-n1 num1? old-n2 num2? xt --)	Change contents of command indicated by <i>xt</i> .
postpone	(C: [old-name<>] --) (... -- ???)	Delay execution of the immediately following command.
recurse	(... -- ???)	Compile recursive call to the command being compiled.
s"	([text<">] -- text-str text-len)	Gather the immediately following string.
s>d	(n1 -- d1)	Convert a number to a double number.
sm/rem	(d n -- rem quot)	Divide <i>d</i> by <i>n</i> , symmetric division.
status	(--)	defer word that can be used to modify the user interface prompt.

H.7 FCode name changes

The following FCodes names have changed from their pre-Open Firmware versions for clarity and consistency. While this can affect the *tokenizer* and/or user interface behavior, the actual behavior of the function associated with that FCode number has not changed. Existing (already-tokenized) FCode programs that use these FCodes will be unaffected.

Items marked with a * have retained the old name, as a synonym.

<u>Old Name</u>	<u>New Name</u>
#	u#
#>	u#>
#s	u#s
<<	lshift *
>>	rshift *
attribute	property
/c*	chars *
cal+	char+ *
decode-2int	parse-2int
delete-attribute	delete-property
eval	evaluate *
flip	wbflip
get-inherited-attribute	get-inherited-property
get-my-attribute	get-my-property
get-package-attribute	get-package-property
is	to
lflips	lwflips
map-sbus	map-low
nal+	cell+ *
/n*	cells *
not	invert *
u*x	um*
version	fcode-revision
wflips	wbflips

x+	d+
x-	d-
xdr+	encode+
xdrbytes	encode-bytes
xdrint	encode-int
xdrphys	encode-phys
xdrstring	encode-string
xdrtoint	decode-int
xdrtostring	decode-string
xu/mod	um/mod

H.8 User interface name changes

The following user interface command names have changed from their pre-Open Firmware versions, with no change in behavior.

<u>Old name</u>	<u>New name</u>
.attributes	.properties
cd	dev
reset	reset-all
select-dev	open-dev
unselect-dev	device-end

H.9 Other variances from the Open Firmware standard

The following items describe additional areas where existing pre-Open Firmware implementations may not comply with provisions of this specification. This list is not exhaustive.

H.9.1 dl command

In some existing pre-Open Firmware implementations, the **dl** command receives text from a specific serial line device regardless of the device that is the current input source.

H.9.2 Client interface

Most pre-Open Firmware implementations have a different *client interface*.

H.9.3 byte-load command

In some existing pre-Open Firmware implementations, **byte-load** does not save and restore the tables that map program-defined *FCode functions* to their assigned *FCode numbers*. On such implementations, an *FCode program* that executes **byte-load** cannot depend on being able to interpret any of its program-defined FCode functions after **byte-load** returns. However, it can continue to execute code that was previously compiled into a definition that called **byte-load**, and it can interpret system-defined FCode functions.

byte-load is not an FCode on many systems. Use:

```
" byte-load" $find drop execute
```

to achieve the equivalent effect.

Previous usage of **byte-load** does not support the execution token semantics of the “xt” parameter. Instead, the value of that parameter must always be 1.

H.9.4 **fcode-revision** command

This FCode returns the revision level of the FCode *device interface* (i.e., which FCodes are supported). Systems which support Open Firmware will return a value of (hex) 0003.0000 (i.e., 3.0), or possibly greater as may be required by future editions of this specification.

OpenBoot version 2.x systems return a similar encoding, i.e., (hex) 0002.00xx. OpenBoot version 1.x systems return a value of (hex) 0000.xxxx.

H.9.5 “**hierarchical**” devices

Some existing pre-Open Firmware implementations of SBus [B2] declare a “**device_type**” *property* value of “**hierarchical**” instead of the required “**sbus**”.

Some existing pre-Open Firmware implementations of SCSI devices declare a “**device_type**” *property* value of “**hierarchical**” instead of the suggested “**scsi**”.

H.9.6 **within** command

The definition of **within** has been changed slightly to conform with ANS Forth. The change affects only the behavior for arguments spanning the barrier between positive and negative numbers, i.e., 0x8000.0000. Ordinary usage is not affected.

H.9.7 " **hex strings**

Some pre-Open Firmware user interfaces and *tokenizers* do not support embedded hex values within a " string. However, an *FCode program* that used a newer tokenizer to create such a string will operate *property*, even in an older system that does not recognize such a construct from the user interface.

H.9.8 **noshowstack** command

noshowstack is not supported in most pre-Open Firmware systems. However, the **status** command, while not documented, may still be used on these systems to vary the behavior at the ok prompt. Alternatively, a power-cycle may be used to turn off a **showstack**. Or, on some systems, **showstack** has a toggled behavior.

H.9.9 **Path resolution**

The path resolution algorithm has been refined to allow embedded alias names and to correct other problems. Typical usage should be unaffected.

H.9.10 “**name**” *property*

The “**name**” *property* now recommends a 6-digit Organizationally Unique Identifier (OUI), as well as the stock symbol identifier.

H.9.11 **New standard system nodes**

The **/chosen** standard system node is new.

H.9.12 Version 1.x

The first OpenBoot systems shipped were numbered as version “1.x”. While similar in many respects to Open Firmware, a number of features were not supported, in addition to the other differences previously listed. For detailed information on FCode version 1.x, consult *Writing FCode Programs* [B7].

Annex I Index of Open Firmware glossary terms

(informative)

-	49, 73, 103	“hierarchical”	249
--bp	94, 119	“interrupts”	20, 150, 180, 202, 229
-l	52, 106	“intr”	150, 151, 180, 245
-bp	94, 119	“load”	26, 163
-rot	49, 72, 178	“local-mac-address”	27, 156, 157, 163, 236
-trailing	77, 189	“mac-address”	27, 156, 158, 163
map	158	“max-frame-size”	159
!	50, 58, 75, 101, 240	“max-frame-size”	27
"	77, 102, 111	“memory”	27, 159, 182, 189
“#address-cells”	23, 108, 175, 247	“mmu”	23
“#address-cells”	175	“model”	20, 56, 160
“#size-cells”	159, 173, 175	“name”	7, 15, 20, 41, 42, 44, 56, 127, 132, 136, 160, 162, 171, 187, 229, 245, 247, 250
“#size-cells”	23, 159, 175, 184	“network”	25, 26, 28, 132, 156, 158, 159, 163, 174, 236
“/”	103	“obp-tftp”	26, 28, 163, 167, 233, 236
“/aliases”	109	“open”	126
“/chosen”	125	“packages”	144, 170
“/openprom”	169	“params”	245
“/options”	169	“ranges”	23, 173, 200
“address-bits”	107	“reg”	20, 24, 27, 40, 41, 56, 110, 140, 159, 161, 175, 184, 187, 200, 202, 229, 232
“address”	20, 55, 107, 145	“relative-addressing”	176
“address-bits”	27	“restore”	177
“available”	24, 27, 110, 125, 140, 159, 176	“ring-bell”	116
“block”	25, 26, 27, 117, 132	“screen”	89
“bootargs”	85, 118	“scsi-2”	208
“bootpath”	84, 119	“selftest”	59
“byte”	25, 26, 121, 132	“serial”	25, 27, 132, 182
“character-set”	124	“status”	20, 186
“compatible”	20, 127, 247	“stdin”	87, 186
“deblocker”	24, 25, 26, 28, 117, 121, 129	“stdout”	87, 186
“decode-unit”	108, 182	#	50, 78, 102, 190, 240, 248
“device_type”	6, 20, 24, 25, 56, 117, 121, 132, 134, 159, 163, 182, 187, 200, 208	#>	50, 78, 102, 240, 248
“disk-label”	25, 27, 117, 133, 170	#address-cells	130, 138, 158, 161
“display”	25, 29, 56, 112, 132, 134, 136	#columns	29, 32, 56, 126, 142, 195, 241, 243, 244
“draw-logo”	136	#line	52, 77, 141, 155, 240
“existing”	24, 110, 140	#lines	29, 32, 56, 142, 155, 241, 243, 244
“fb1”	31, 48, 125, 126, 134, 145, 151, 155, 180, 183, 193, 243	#out	52, 77, 169, 240
“fb8”	25, 29, 31, 32, 58, 125, 126, 134, 142, 145, 151, 155, 180, 183, 193	#s	50, 78, 179, 240, 248
“font”	25	\$call-method	52, 55, 64, 123, 141, 155, 163, 164

\$call-parent	55, 123	.instruction	94, 119, 150, 186
\$call-method	241	.properties	90, 171, 249
\$call-parent	241	.r	50, 78, 172, 240
\$callback	67, 89, 123	.registers	92, 175
\$create	81, 128, 247	.s	50, 78, 179, 184, 240
\$find	52, 144, 240, 249	.step	94, 186
\$number	52, 77, 165, 240	/	20, 49, 73, 103, 239
\$nvalias	89, 165	/aliases	20
\$nvunalias	89, 166	/c	50, 51, 74, 122, 124, 125, 240
\$open-package	27, 54, 169	/c*	74, 122, 248
\$open-package	241	/chosen	21, 23, 61, 84, 85, 87, 182, 189, 250
\$setenv	20, 86, 164, 166, 167, 183	/L	240
\$sift	91, 184	/I	51, 74, 153, 154, 157
'	82, 102, 109, 111	/I*	51, 74, 153, 240
(76, 102	/mod	49, 73, 160, 239
(.)	78, 103, 104, 190	/n	50, 51, 74, 124, 161, 162, 240
(cr	52, 128, 240	/n*	74, 162, 248
(debug	92, 130	/openprom	20, 176
(is-user-word)	53, 152	/options	20, 86
(is-user-word)	241	/packages	9, 17, 21, 22, 27, 44
(patch)	91, 170, 248	/w	51, 74, 192, 193, 240
(see)	91, 181	/w*	51, 74, 193, 240
(u.)	78, 104, 190	:	81, 104, 111
*	49, 73, 103, 239	;	81, 104, 108, 111, 139, 156, 157, 176, 188, 191
*/	73, 103	<	50, 78, 104, 240
*/mod	73, 160	<#	50, 78, 104, 240
+	49, 73, 103, 239	<<	73, 104, 248
+!	50, 75, 103, 240	<=	52, 78, 104, 240
+bp	94, 119	<>	50, 78, 104, 240
+dis	93, 133	<w@	51, 75, 193, 240
+loop	54, 80, 117, 157	=	50, 78, 104, 240
,	51, 81, 103, 126, 128, 154, 240	>	50, 78, 104, 240
-	239	>=	52, 78, 104, 240
-l	240	>>	73, 104, 248
-rot	240	>>a	52, 73, 106, 239
.	50, 78, 103, 240	>body	51, 82, 118, 240
."	76, 103, 111	>font	31, 57, 145, 183, 241
.(76, 99, 103, 111	>in	76, 148
.adr	94, 108, 192	>number	77, 165
.attributes	249	>physical	48, 241, 246
.bp	94, 119	>r	49, 72, 99, 172, 239
.breakpoint	94, 119	?	78, 104
.calls	91, 123		
.d	78, 129		
.fregisters	92, 145		
.h	78, 147		

?do	49, 54, 73, 80, 114, 119, 135, 154, 156	abs	49, 73, 107, 239
?dup	49, 72, 137, 240	accept	76, 107
?leave	80, 154	adr-mask	48
@	50, 58, 75, 104, 240	adr-mask	241, 246
[82, 105	aerr!	204
[']	19, 76, 82, 105, 111	aerr@	204
[char]	76, 110, 124, 247	again	79, 108, 112
[compile]	82, 127	alarm	59, 109, 192, 241
\	76, 105	alias	81, 109
]	82, 105	align	81, 109
]tokenizer	198	aligned	50, 74, 109, 240
0	52, 100, 105, 240	alloc-mem	27, 52, 75, 109, 120, 125, 145, 176, 245
0<	50, 78, 105, 239	alloc-mem	240
0<=	52, 78, 105, 239	allot	81, 110, 153, 192
0<>	50, 78, 105, 239	and	49, 73, 110, 239
0=	50, 78, 105, 239	apply	95, 110, 140, 247
0>	50, 78, 105, 239	ascii	76, 110
0>=	52, 78, 105, 239	attribute	248
1	52, 100, 105, 240	auto-boot?	35, 83, 84, 85, 110, 118, 239
1-	73, 106	aux!	204
1+	73, 106	aux@	204
2	52, 100, 106, 240	averr!	204
2-	73, 106	averr@	204
2!	50, 75, 106, 240	b(")	53, 111, 239
2*	49, 73, 106, 240	b(')	53, 60, 111, 143, 239
2+	73, 106	b(+loop)	54, 114, 117, 239
2/	49, 73, 106, 240	b(:)	52, 53, 111, 141, 163, 164, 240
2@	50, 75, 106, 240	b(;	53, 111, 112, 113, 117, 119, 240
2constant	80, 127	b(<mark)	54, 112, 113, 118, 240
2drop	49, 72, 136, 240	b(>resolve)	54, 112, 113, 119, 240
2dup	49, 72, 137, 240	b(?do)	54, 114, 117, 239
2over	49, 72, 169, 240	b(buffer:)	52, 53, 113, 114, 120, 141, 163, 164, 240
2rot	49, 72, 178, 240	b(case)	54, 113, 240
2swap	49, 72, 187, 240	b(code)	48, 240, 246
3	52, 100, 106, 240	b(constant)	52, 53, 114, 141, 163, 164, 240
3drop	72, 137	b(create)	52, 53, 114, 141, 163, 164, 240
3dup	72, 137	b(defer)	52, 53, 113, 114, 120, 141, 163, 164, 240
4-byte-id	48	b(do)	54, 114, 117, 239
4-byte-id	240	b(endcase)	54, 115, 116, 240
abort	51, 80, 106, 107, 140, 144, 149, 155, 187, 192, 241	b(endof)	54, 116, 118, 240
abort"	80, 107, 109, 110, 115, 134, 135, 158, 164	b(field)	52, 53, 116, 141, 163, 164, 240
		b(leave)	54, 116, 239
		b(lit)	53, 117, 239
		b(loop)	54, 114, 117, 239
		b(of)	54, 118, 239

b(to)	53, 114, 120, 240	call-method	23
b(value)	52, 53, 99, 113, 114, 120, 141, 163, 164, 240	call-package	55, 123, 144
b(variable)	52, 53, 113, 114, 120, 141, 163, 164, 240	call-package	241
b?branch	46, 54, 113, 118, 119, 239	callback	67, 89, 122
banner	30, 83, 84, 89, 90, 112, 136, 167, 171, 187, 239	carret	76, 123, 128
base	10, 50, 77, 103, 112, 129, 147, 165, 166, 170, 179, 190, 240	case	54, 79, 113, 115, 116, 118, 124, 139, 167
bbranch	46, 54, 112, 118, 119, 239	cat	240
begin	79, 108, 115, 118, 176, 191, 193	catch	19, 40, 51, 64, 66, 80, 124, 188, 241
begin-package	95, 115, 121, 139	cd	249
behavior	53, 82, 115, 240	cdata!	204
bell	52, 76, 115, 240	cdata@	204
between	52, 78, 116, 240	cell+	50, 74, 124, 162, 240, 248
bl	50, 76, 116, 240	cells	50, 74, 124, 162, 240, 248
blank	75, 116	char	76, 110, 124, 247
blink-screen	30, 32, 57, 58, 116, 142, 177, 196, 243	char-height	31, 57, 125, 142, 183, 244
blink-screen	241	char-width	31, 57, 125, 142, 183, 244
bljoin	51, 74, 117, 240	char+	50, 74, 122, 124, 240, 248
block-size	28, 117, 159, 174, 194	char-height	241
body>	52, 82, 118, 240	char-width	241
boot	84, 85, 92, 93, 100, 110, 118, 119, 132, 133, 156, 181, 239	character	195
boot-command	84, 85, 110, 118	character-set	25
boot-device	84, 85, 118, 133, 156, 239	chars	50, 74, 122, 125, 240, 248
boot-file	84, 85, 118, 133, 156, 239	child	54, 125, 241
bootargs	21	claim	24, 27, 110, 125, 158, 159, 160, 176
bootpath	21	clear	72, 125
bounds	49, 73, 119, 240	clear-cache	204
bpoff	94, 119	clock-frequency	201
bs	52, 76, 119, 240	close	22, 25, 26, 27, 28, 29, 57, 117, 121, 125, 126, 134, 152, 163, 182, 202, 208
buffer:	17, 53, 81, 113, 120, 150, 163	close-dev	65, 95, 126, 139, 155, 156, 247
buserr-type	201	close-package	27, 54, 126
busmaster-regval	201	close-package	241
bwjoin	51, 74, 120, 240	code	83, 121, 126, 139, 154
byte-load	59, 121, 171, 182, 249	column#	29, 56, 126, 195, 196, 241
byte-load	241	command	86, 180
c!	50, 58, 75, 121, 240	comp	51, 75, 126, 240
c,	51, 81, 121, 126, 128, 154, 240	compile	82, 127
c;	83, 121, 126, 154	compile,	51, 82, 127, 240
c@	50, 58, 75, 122, 240	console	84
ca+	51, 74, 122	constant	9, 53, 80, 99, 114, 127, 161, 170
ca1+	74, 122, 248	context!	204
cache-off	203	context@	204
cache-on	203	control	76, 128
cacheable	204	convert	48, 240
		count	50, 77, 128, 240
		cpeek	58, 128, 171, 241
		cpoke	58, 128, 241
		cr	50, 77, 128, 155, 169, 240

create	53, 81, 114, 128, 136, 247	diag-switch?	85, 88, 133, 239
created	81	diagnose	209
ctag!	204	diagnostic-mode?	59, 84, 85, 88, 118, 132, 133, 156, 159, 181, 182, 239
ctag@	204	diagnostic-mode?	241
ctrace	92, 129	digit	52, 77, 133, 240
d-	50, 73, 129	dis	93, 133
d#	77, 129	disk	15, 118
d+	50, 73, 129, 240, 248	disk0	85
d-	240, 248	display	87
dcontext@	204	display-status	59, 134, 245
debug	92, 129, 130, 187, 189	display-status	241
debug-off	92, 129, 130	dl	90, 134, 249
decimal	70, 77, 130	dma-alloc	23, 48, 134, 135, 208, 209, 235, 245
decode-bytes	95, 130	dma-free	23, 134, 208
decode-int	56, 130	dma-map-in	23, 134, 135, 235
decode-phys	56, 108, 130	dma-map-out	23, 135
decode-space	202	dma-sync	23, 135, 235
decode-string	56, 130	dma-alloc	241
decode-unit	22, 40, 108, 130, 202, 208	dma-map-in	235
decode-2int	248	do	49, 54, 73, 80, 114, 116, 117, 119, 135, 154, 156, 157
decode-int	241, 248	does>	81, 99, 128, 136
decode-phys	241	draw-character	25, 30, 32, 57, 58, 136, 142, 151, 243
decode-string	241, 248	draw-logo	25, 30, 32, 57, 58, 112, 134, 136, 142, 152, 244
default-font	31, 57, 130	draw-character	234, 241
default-font	241	draw-logo	241
defer	6, 17, 19, 29, 30, 32, 53, 57, 67, 81, 82, 92, 114, 115, 116, 119, 120, 131, 134, 136, 140, 142, 149, 150, 152, 163, 177, 185, 186, 188, 189, 192, 243, 244, 248	driver	48, 136, 241, 245
delete-characters	30, 32, 57, 58, 131, 142, 151, 195, 243	drop	49, 72, 136, 240
delete-lines	30, 32, 57, 58, 131, 142, 151, 195, 196, 243, 244	dump	75, 137
delete-property	56, 131	dup	44, 49, 72, 137, 171, 240
delete-attribute	248	else	79, 112, 119, 137
delete-characters	241	emit	50, 76, 137, 150, 240
delete-lines	241	emit-byte	197, 198
delete-property	241, 248	enable!	204
depth	49, 72, 131, 240	enable@	204
dev	90, 131, 144, 249	encode-bytes	55, 137, 138, 156, 158, 201
devalias	15, 89, 109, 132, 165, 166	encode-int	55, 107, 108, 138, 150, 175, 186, 200, 201, 202
device-end	90, 132	encode-phys	55, 108, 130, 138, 173, 175
device-name	56, 132, 162	encode-string	55, 118, 119, 124, 127, 132, 137, 138, 160, 162, 186
device-type	56, 132	encode-unit	22, 138
device-end	249	encode+	55, 127, 137, 241, 248
device-name	241	encode-bytes	241, 246, 248
device-type	241	encode-int	110, 140, 184, 241, 246, 248
device_type	112	encode-phys	241, 248
diag	132	encode-string	200, 241, 248
diag-device	84, 85, 132, 133, 156, 239	end-code	83, 126, 139, 154
diag-file	84, 85, 132, 133, 156, 239	end-package	95, 139

end0	59, 138, 139, 239	fb8-install	29, 30, 31, 32, 58, 116, 125, 126, 131, 136, 140, 142, 145, 149, 152, 155, 177, 180, 189, 193
end1	59, 139, 240	fb8-invert-screen	32, 58, 142
endcase	79, 115, 139	fb8-reset-screen	32, 58, 143
endof	54, 79, 116, 139, 167	fb8-toggle-cursor	32, 58, 143
environment?	82, 139, 247	fb8-blink-screen	241
erase	75, 140	fb8-delete-characters	241
erase-screen	30, 32, 57, 58, 140, 142, 151, 177, 196, 244	fb8-delete-lines	241
erase-screen	241	fb8-draw-character	241
eval	80, 134, 140, 248	fb8-draw-logo	241
evaluate	51, 80, 118, 140, 240, 248	fb8-erase-screen	241
even	73, 140	fb8-insert-characters	241
execute	19, 51, 80, 140, 239	fb8-insert-lines	241
execute-command	209	fb8-install	142, 241
execute-device-method	38, 39, 40, 95, 110, 140, 181, 188	fb8-invert-screen	241
exit	51, 80, 140, 239	fb8-reset-screen	241
exit?	77, 141, 155	fb8-toggle-cursor	241
expect	50, 76, 141, 153, 184, 240	fcode-debug?	95, 143, 147, 163, 239
external	95, 141, 147	fcode-revision	59, 143
external-token	52, 53, 141	fcode-revision	240, 248, 249
external-token	229, 240	fcode-version	241, 245
f	177	ferror	49, 59, 143, 240
false	39, 40, 51, 67, 75, 79, 84, 85, 86, 108, 118, 121, 128, 133, 137, 140, 141, 143, 144, 146, 151, 156, 157, 159, 165, 167, 168, 170, 185, 187, 188, 191, 192, 194, 196, 239	field	53, 81, 116, 143, 187
fb1-blink-screen	243	fill	50, 75, 144, 240
fb1-delete-characters	243	find	82, 144
fb1-delete-lines	243, 244	find-device	39, 40, 64, 90, 144, 149, 169, 183
fb1-draw-character	243	find-method	19, 55, 123, 144
fb1-draw-logo	244	find-package	54, 144, 169
fb1-erase-screen	244	find-method	241
fb1-insert-characters	244	find-package	241
fb1-insert-lines	244	finish-device	59, 121, 139, 145, 171
fb1-install	125, 126, 145, 180, 193, 243, 244	finish-device	241
fb1-invert-screen	244	firmware-version	245
fb1-reset-screen	244	firmware-version	241
fb1-slide-up	244	flip	248
fb1-toggle-cursor	244	fload	198
fb1-install	244	fm/mod	73, 145, 247
fb8-blink-screen	32, 58, 142	font	31
fb8-delete-characters	32, 58, 142	fontbytes	31, 57, 145, 183, 241
fb8-delete-lines	32, 58, 142	forget	81, 145
fb8-draw-character	32, 58, 142	forth	82, 145
fb8-draw-logo	32, 58, 142	frame-buffer-adr	30, 31, 57, 145
fb8-erase-screen	32, 58, 142	frame-buffer-busy?	48
fb8-insert-characters	32, 58, 142	frame-buffer-adr	241
fb8-insert-lines	32, 58, 142	frame-buffer-busy?	241
		free-mem	27, 52, 75, 109, 145, 176
		free-mem,	125
		free-virtual	55, 145, 158
		free-mem	240
		free-virtual	241
		full	86, 180

get-inherited-property	56, 146	intr	150, 151, 241, 245
get-msecs	59, 146	inverse-screen?	29, 56, 151, 196
get-my-property	56, 146	inverse-screen?	241
get-package-property	56, 146	inverse?	29, 56, 151, 195, 196, 241
get-token	53, 146	invert	50, 73, 151, 165, 239, 248
get-unum	202	invert-screen	30, 32, 57, 58, 142, 152, 196, 244
get-inherited-attribute	248	invert-screen	241
get-inherited-property	241, 248	io	88, 152
get-msecs	241	is	248
get-my-attribute	248	is-install	29, 30, 57, 126, 136, 152, 177
get-my-property	241, 248	is-remove	29, 57, 152
get-package-attribute	248	is-selftest	29, 57, 152
get-package-property	241, 248	is-install	177, 241
get-token	240	is-remove	241
getprop	20, 86	is-selftest	241
go	92, 93, 94, 118, 146, 155, 181, 185, 186	j	50, 80, 153, 239
gos	94, 146	key	50, 76, 150, 153, 240
group-code	48, 245	key?	50, 76, 153, 240
group-code	241, 245	keyboard	149
h#	9, 77, 147	l!	51, 75, 153, 240
headerless	95, 141, 147, 164	l,	51, 81, 126, 153, 154, 240
headers	95, 141, 143, 147, 163, 239	l@	51, 75, 153, 240
help	83, 147	la+	51, 74, 153, 240
here	51, 81, 147, 240	la1+	51, 74, 153, 240
hex	70, 77, 148	label	83, 121, 139, 154
hold	50, 78, 148, 190, 240	lbflip	51, 74, 154, 241
hop	93, 94, 148	lbflips	51, 75, 154, 241
hops	94, 148	lbsplit	51, 74, 154, 240
i	50, 80, 148, 239	lcc	52, 77, 154, 240
idprom	201	leave	80, 116, 154
idprom@	205	left-parse-string	37, 55, 154
if	79, 94, 113, 137, 148, 188	left-parse-string	241
ihandle>phandle	54, 148, 241	lflips	248
immediate	82, 148	line#	29, 56, 155, 195, 196, 241
init-program	93, 148, 155, 185	linefeed	76, 155
input	88, 149, 150, 152	lines/page	141
input-device	87, 88, 149, 150, 239	literal	82, 99, 155
insert-characters	30, 32, 57, 58, 142, 149, 151, 195, 244	load	25, 26, 28, 36, 92, 93, 117, 118, 119, 121, 132, 146, 155, 156, 163, 233, 236
insert-lines	30, 32, 57, 58, 142, 149, 151, 195, 244	loop	54, 80, 114, 116, 117, 156
insert-characters	241	lpeek	58, 157, 241
insert-lines	241	lpoke	58, 157, 241
install-abort	27, 149, 182	ls	90, 157
install-console	83, 84, 87, 88, 89, 149, 150, 169	lshift	49, 73, 104, 157, 239, 248
instance	17, 52, 53, 113, 114, 120, 150, 240	lwflip	51, 74, 157, 241
interrupt-enable!	205	lwflips	51, 75, 157, 241, 248
interrupt-enable@	205	lwsplit	51, 74, 157, 240

m*	73, 157	net	132
mac-address	59, 156, 157, 163, 236	network	157
mac-address	241	new-device	59, 115, 121, 145, 163, 171, 182
map	24, 140, 160	new-name	131
map-in	23, 108, 158, 202	new-token	52, 53, 147, 164
map-low	55, 108, 158	new-device	241
map-out	23, 158, 202	new-token	240
map-page	205	next-property	54, 164
map-pages	205	next-property	241
map-segments	205	nip	49, 72, 164, 240
map-low	241, 248	no-data-command	209
map-out	145	nodefault-bytes	86, 164
map-sbus	248	none	86
map?	203	noop	52, 82, 164, 185, 240
mask	59, 158, 159, 241	noshowstack	90, 164, 184, 247, 250
max	49, 73, 159, 239	not	73, 165, 248
max-transfer	28, 117, 159, 208	nvalias	15, 89, 165
memmap	48, 241, 245	nvedit	87, 165, 166
memory	21, 61	nvquit	87, 165, 166
memory-test-suite	59, 158, 159, 245	nvramrc	87, 166, 239
memory-test-suite	241	nvrecover	87, 166
min	49, 73, 159, 239	nvrunc	87, 166
mips-off	200	nvstore	87, 165, 166
mips-on	200	nvunalias	89, 166
mmu	21		
mmu-nctx	200	o#	77, 166
mmu-npmg	201	obio	203
mod	49, 73, 160, 239	obmem	203
model	20, 56, 160, 241	octal	77, 167
modify	24, 140, 158, 160	oem-banner	89, 112, 167, 239
move	50, 75, 160, 240	oem-banner?	89, 112, 167, 239
ms	59, 160, 241	oem-logo	89, 112, 167, 239
my-address	55, 108, 115, 161, 175, 182	oem-logo?	89, 112, 167, 239
my-args	40, 55, 115, 121, 156, 161, 171, 182	of	54, 79, 118, 167
my-params	48	off	51, 75, 167, 240
my-parent	40, 54, 161	offset	28, 168
my-self	54, 115, 123, 124, 161, 188	offset16	46, 54, 168, 240
my-space	55, 108, 115, 161, 175, 182	on	51, 75, 168, 240
my-unit	40, 55, 108, 161, 175	open	6, 14, 22, 25, 26, 27, 28, 29, 37, 38, 39, 57, 117, 121, 125, 134, 149, 152, 158, 163, 168, 181, 182, 202, 208
my-address	232, 241	open-dev	22, 38, 39, 44, 65, 95, 115, 149, 155, 156, 168, 169
my-args	241	open-package	22, 27, 54, 168, 169
my-params	241, 245	open-dev	249
my-parent	241	open-package	233, 241
my-self	241	or	49, 73, 169, 239
my-space	232, 241	output	88, 150, 152, 169
my-unit	232, 241	output-device	87, 88, 150, 169, 239
na+	51, 74, 162, 240	over	49, 72, 169, 171, 240
nal+	74, 162, 248		
name	20, 21	pack	52, 77, 169, 240
named-token	52, 53, 143, 147, 163		
named-token	240		
negate	49, 73, 163, 239		

pagesize	205	return	94, 177
parse	76, 170, 247	return-buffer	48
parse-2int	55, 170	return-buffer	241
parse-word	76, 170, 247	ring-bell	27, 177, 196
parse-2int	241, 248	ring-bell	182
password	88, 170, 181	rl!	58, 101, 153, 177, 241
patch	91, 170	rl@	58, 104, 153, 178, 241
peer	54, 171, 241	roll	49, 72, 178, 240
pgmap!	203	rot	49, 72, 178, 240
pgmap?	203	rshif	239
pgmap@	203	rshift	49, 73, 104, 178, 248
pick	49, 72, 171, 240	rw!	58, 178, 179, 192, 241
poll-packet	48	rw@	58, 179, 192, 241
poll-packet	241		
postpone	82, 171, 248	S"	102, 179
printenv	20, 86, 164, 171, 181	s"	77, 179, 248
probe	48, 241, 246	s.	78, 179
probe-all	35, 83, 84, 90, 171	s>d	73, 180, 248
probe-self	23, 171	sbus	203
probe-virtual	48	sbus-intr>cpu	55, 150, 151, 180
probe-virtual	241, 246	sbus-intr>cpu	241
processor-type	48	screen	87, 150, 169
processor-type	241, 246	screen-#columns	88, 142, 180, 239, 244
property	56, 132, 160, 162, 172, 175, 229, 241, 248	screen-#rows	88, 142, 155, 180, 239, 244
pwd	90, 172	screen-height	31, 32, 57, 142, 180, 243, 244
quit	80, 172	screen-width	31, 32, 57, 142, 180, 243, 244
r>	49, 72, 172, 239	screen-height	241
r@	49, 72, 172, 239	screen-width	241
rb!	58, 121, 173, 179, 241	security-#badlogins	180, 239
rb@	58, 122, 174, 241	security-mode	88, 170, 180, 181, 239
read	23, 24, 26, 27, 28, 35, 65, 117, 121, 149, 163, 168, 174, 181, 182, 233	security-password	170, 181, 239
read-blocks	28, 174	see	91, 181
recurse	82, 174, 248	seek	26, 28, 65, 117, 121, 174, 181, 194
recursive	82, 174	segmentsize	205
reg	56, 161, 175, 241	select-dev	249
relative-addressing	20	selftest	22, 29, 57, 88, 152, 181, 182, 188
release	24, 27, 110, 125, 158, 159, 160, 176, 191	selftest-#megs	88, 182, 239
remove-abort	27, 149, 176, 182	serr!	205
repeat	79, 112, 119, 176, 193	serr@	205
reset	23, 176, 249	set-address	208, 209
reset-all	66, 85, 88, 110, 176, 239	set-args	59, 115, 121, 161, 171, 182
reset-screen	30, 32, 57, 58, 143, 152, 177, 196, 244	set-default	86, 164, 166, 167, 180, 181, 182
reset-all	249	set-defaults	86, 164, 166, 167, 180, 181, 182
reset-screen	177, 241	set-font	30, 31, 57, 125, 130, 142, 145, 183, 244
restore	25, 27, 134, 152, 177, 182	set-table	48
resume	91, 92, 177	set-timeout	208
retry-command	209		

set-token	48, 53, 173, 174, 177, 178, 179, 183		140, 158, 160, 164, 188, 191, 241
set-args	232, 241	till	94, 188
set-callback	122	to	9, 81, 82, 92, 116, 119, 120, 126, 131, 136, 140, 145, 149, 152, 155, 177, 186, 188, 189, 192, 248
set-font	241		
set-table	240		
set-token	240		
set-token-table	240	toggle-cursor	30, 32, 57, 58, 143, 189, 244
setenv	20, 86, 99, 164, 166, 167, 181, 183	toggle-cursor	241
setprop	20, 86	tokenizer[198
short-data-command	209	tracing	92, 129, 189
show-children	208	translate	24, 140, 158, 160, 189
show-devs	89, 183	true	22, 40, 50, 51, 52, 59, 75, 76, 77, 78, 79, 80, 82, 84, 85, 86, 87, 88, 89, 93, 95, 98, 104, 105, 109, 110, 112, 116, 118, 121, 128, 132, 133, 140, 141, 143, 144, 146, 151, 153, 157, 159, 165, 166, 167, 168, 170, 181, 185, 188, 189, 190, 191, 192, 193, 194, 196, 239
showstack	90, 164, 184, 247, 250		
sifting	91, 184		
sign	50, 78, 184, 240		
sm/rem	73, 184, 248	tuck	49, 72, 189, 240
smap!	203, 205	type	50, 76, 189, 190, 240
smap?	203		
smap@	203		
source	76, 184		
space	77, 184		
spaces	77, 184		
span	50, 76, 184, 240		
start0	46, 47, 59, 168, 185, 240	u#	51, 78, 190, 240, 248
start1	46, 47, 59, 168, 185, 240	u#>	51, 78, 190, 240, 248
start2	46, 47, 59, 168, 185, 240	u#s	51, 78, 190, 240, 248
start4	46, 47, 59, 168, 185, 240	u*	73, 190
state	51, 82, 185, 240	u*x	248
state-valid	93, 146, 185	u.	50, 78, 190, 240
status	185, 248, 250	u.r	50, 78, 191, 240
stdin	21, 88, 149, 186	u/mod	49, 73, 191, 239
stdout	21, 88, 169, 186	u<	50, 78, 190, 240
step	93, 94, 148, 186, 187	u<=	52, 78, 190, 240
stepping	92, 129, 187, 189	u>	50, 78, 190, 240
steps	94, 187	u>=	52, 78, 190, 240
struct	81, 187	u2/	51, 73, 190, 240
suppress-banner	84, 89, 90, 112, 171, 187	um*	50, 73, 190, 240, 248
suspend-fcode	59, 187	um/mod	50, 73, 190, 240, 248
suspend-fcode	241	unaligned-l!	75, 191
sverr!	205	unaligned-l@	75, 191
sverr@	205	unaligned-w!	75, 191
swap	49, 72, 187, 240	unaligned-w@	75, 191
sym	94, 187, 188	unloop	50, 80, 191, 240
sym>value	67, 94, 187, 188	unmap	24, 140, 160, 191
sync	67, 89, 188	unselect-dev	249
		until	79, 113, 191
test	22, 88, 181, 188	upc	52, 77, 191, 240
test-all	88, 181, 188	use-nvramrc?	35, 83, 87, 165, 166, 191, 239
then	79, 119, 188		
throw	39, 40, 51, 80, 109, 110, 121, 122, 123, 124, 125, 134, 135,	user-abort	59, 192
		user-abort	241

vac-hwflush	201	xu/mod	248
vac-linesize	201		
value	9, 17, 29, 31, 53, 56, 57, 81, 82, 92, 120, 125, 126, 145, 150, 151, 155, 163, 180, 189, 192, 193		
value>sym	67, 94, 108, 192		
variable	17, 50, 51, 52, 53, 59, 76, 77, 81, 82, 88, 93, 112, 120, 148, 150, 155, 158, 163, 169, 184, 185, 186, 192, 245		
version	248		
version1	46, 47, 59, 168, 192, 240		
w!	51, 75, 192, 240		
w,	51, 81, 126, 128, 154, 192, 240		
w@	51, 75, 192, 240		
wa+	51, 74, 193, 240		
wa1+	51, 74, 193, 240		
wbflip	51, 74, 193, 240, 248		
wbflips	51, 75, 193, 241, 248		
wbsplit	51, 74, 193, 240		
wflips	248		
while	79, 113, 176, 193		
window-left	30, 31, 32, 57, 126, 142, 193, 243, 244		
window-top	30, 31, 32, 57, 142, 155, 193, 243, 244		
window-left	241		
window-top	241		
within	50, 78, 193, 240, 249		
wljoin	51, 74, 194, 240		
word	76, 194		
words	91, 194		
wpeek	58, 194, 241		
wpoke	58, 194, 241		
write	23, 25, 26, 27, 28, 35, 65, 117, 121, 134, 152, 163, 168, 169, 181, 182, 194, 233, 234		
write-blocks	28, 194		
x+	248		
x-	248		
xdr+	248		
xdrbytes	248		
xdrint	248		
xdrphys	248		
xdrstring	248		
xdrtoint	248		
xdrtostring	248		
xmit-packet	48		
xmit-packet	241		
xor	49, 73, 194, 239		

Annex J Bibliography

(informative)

[B1] IEEE Std 1014-1987, IEEE Standard for a Versatile Backplane Bus: VMEbus.¹⁰

[B2] IEEE Std 1496-1993, IEEE Standard for a Chip and Module Interconnect Bus: SBus.

[B3] ISO/IEC 8802-3 : 1993 [ANSI/IEEE Std 802.3, 1993 Edition], Information technology—Local and metropolitan area networks—Part 3: Carrier sense multiple access with collision detection (CSMA/CD) access method and physical layer specifications.

[B4] ISO/IEC 10288 : . . . , Information processing systems—Enhanced Small Computer System Interface (SCSI-2).¹¹

[B5] *OpenBoot Command Reference*, Revision 2x, Sun Microsystems, Inc., 1994.

[B6] *OpenBoot PROM Architecture Specification*, Revision 2.0, Sun Microsystems, Inc., March 1991.

[B7] *Writing FCode Programs*, Revision 2x, Sun Microsystems, Inc., 1994.

¹⁰ IEEE Std 1014-1987 has been withdrawn and is out of print; however, copies can be obtained from the IEEE Standards Department, IEEE, Inc., 445 Hoes Lane, P.O. Box 1331, Piscataway, NJ 08855-1331, USA.

¹¹ This document is in progress. When it is approved and published, it will supersede the current standard, ISO/IEC 9316 : 1989, Information processing systems—Small Computer System Interface (SCSI).