



iCE40 Programming and Configuration

Technical Note

FPGA-TN-02001-3.4

December 2022

Disclaimers

Lattice makes no warranty, representation, or guarantee regarding the accuracy of information contained in this document or the suitability of its products for any particular purpose. All information herein is provided AS IS, with all faults and associated risk the responsibility entirely of the Buyer. Buyer shall not rely on any data and performance specifications or parameters provided herein. Products sold by Lattice have been subject to limited testing and it is the Buyer's responsibility to independently determine the suitability of any products and to test and verify the same. No Lattice products should be used in conjunction with mission- or safety-critical or any other application in which the failure of Lattice's product could create a situation where personal injury, death, severe property or environmental damage may occur. The information provided in this document is proprietary to Lattice Semiconductor, and Lattice reserves the right to make any changes to the information in this document or to any products at any time without notice.

Contents

Acronyms in This Document	6
1. Introduction	7
2. Configuration Overview	8
3. Configuration Mode Selection.....	10
3.1. Mode Selection for iCE40 LP/HX, iCE40 Ultra, iCE40 UltraLite and iCE40 UltraPlus Devices.....	10
3.2. Mode Selection for iCE40 LM.....	11
4. Non-Volatile Configuration Memory	13
4.1. NVCM Programming	13
5. Configuration Control Signals.....	14
6. Internal Oscillator.....	16
7. Internal Device Reset	17
7.1. Power-On Reset	17
7.2. CRESET_B Pin	17
8. sysCONFIG Port	18
8.1. sysCONFIG Pins.....	18
9. SPI Master Configuration Interface	19
9.1. SPI Master Configuration Mode Timing Considerations.....	19
9.2. SPI PROM Requirements.....	20
9.3. Enabling SPI Configuration Interface	21
9.4. SPI Master Configuration Process.....	21
10. Cold Boot Configuration Option.....	24
11. Warm Boot Configuration Option	27
12. Time-Out and Retry.....	28
13. SPI Slave Configuration Interface	29
13.1. Enabling SPI Configuration Interface	30
13.2. SPI Slave Configuration Process	30
13.3. Voltage Compatibility	33
Appendix A. SPI Slave Configuration Procedure	34
A.1. CPU Configuration Procedure	34
A.2. Configuration Waveforms	34
A.3. Pseudo Code	36
Appendix B. Configuration Data Format.....	38
References	39
Technical Support Assistance.....	40
Revision History	41

Figures

Figure 2.1. Configuring and Programming the iCE40 Device	8
Figure 3.1. iCE40 Device Configuration Control Flow	11
Figure 3.2. iCE40 LM Device Configuration Control Flow	12
Figure 5.1. iCE40 Configuration Control Pins	14
Figure 7.1. iCE40 Internal Reset Circuitry	17
Figure 9.1. iCE40 SPI Master Configuration Interface	19
Figure 9.2. SPI Master Configuration Timing	20
Figure 9.3. SPI Release from Deep Power-down Command	22
Figure 9.4. SPI Fast Read Command	22
Figure 9.5. Final Configuration Data, SPI Deep Power-down Command	23
Figure 10.1. Cold Boot and Warm Boot Configuration	24
Figure 10.2. Diamond Deployment Tool – Advanced SPI Flash Options	25
Figure 11.1. Enable Warm Boot Option	27
Figure 13.1. iCE40 SPI Slave Configuration Interface	29
Figure 13.2. Application Processor Waveforms for SPI Peripheral Mode Configuration Process	31
Figure 13.3. SPI Slave Configuration Process	32

Tables

Table 1.1. iCE40 Devices Configuration Features Comparison	7
Table 2.1. Single-Ended I/O Standards	8
Table 5.1. iCE40 Configuration Control Signals	14
Table 7.1. Power-On Reset Voltage Resources	17
Table 8.1. sysCONFIG Ports	18
Table 8.2. sysCONFIG Pins	18
Table 9.1. SPI Master Configuration Interface Pins (SPI_SS High Before Configuration)	19
Table 9.2. Bitstream Sizes for Different iCE40 FPGA Densities Used to Select a SPI Flash	21
Table 10.1. CBSEL[1:0] Vector Address	25
Table 13.1. SPI Slave Configuration Interface Pins (SPI_SS Low when CRESET_B Released)	30
Table 13.2. SPI Peripheral Mode Supply Voltages	33
Table 13.3. CRESET_B and CDONE Voltage Compatibility	33
Table A.1. iCE40 SRAM Configuration Sequence	34
Table B.1. Configuration Data	38

Acronyms in This Document

A list of acronyms used in this document.

Acronym	Definition
AP	Application Processor
DSP	Digital Signal Processor
ECC	Error Checking and Correction
FPGA	Field-Programmable Gate Array
NVCM	Non-Volatile Configuration Memory
PIO	Parallel Input/Output
PLB	Programmable Logic Block
POR	Power On Reset
PROM	Programmable Read-Only Memory
SPI	Serial Peripheral Interface
SRAM	Static Random-Access Memory

1. Introduction

The iCE40™ devices are SRAM-based FPGAs. The iCE40 LP, iCE40 HX, iCE40 Ultra™, iCE40 UltraLite™, and iCE40 UltraPlus™ devices also have an on-chip, one-time programmable NVCM (Non-Volatile Configuration Memory) to store configuration data. The SRAM memory cells are volatile, meaning that once power is removed from the device, its configuration is lost, and must be reloaded on the next power-up. This behavior has the advantage of being re-programmable in the field which provides flexibility for products already deployed to the field. But it also requires that the configuration information be stored in a non-volatile device and loaded each time power is applied to the device. The on-chip NVCM allows the device to configure instantly and greatly enhances the design security by eliminating the need to use an external memory device. The configuration data can also be stored in an external SPI Flash from which the FPGA can configure itself upon power-up. This is useful for prototyping the FPGA or in situations where reconfigurability is required. Additionally, the device can be configured by a processor in an embedded environment.

Table 1.1. iCE40 Devices Configuration Features Comparison

Features	iCE40 LM	iCE40 LP/iCE40 HX/iCE40 Ultra/iCE40 UltraLite/iCE40 UltraPlus
NVCM (one time programmable)	—	Yes
Multiple Configuration Image	—	Yes
Master SPI Configuration Mode	Yes	Yes
Slave SPI Configuration Mode	Yes	Yes

2. Configuration Overview

The iCE40 devices contain two types of memory, SRAM and NVCM (one-time programmable). The iCE40 LM devices, however, contain only one type of memory, which is SRAM. The SRAM memory contains the active configuration. The NVCM and the external SPI Flash provides a non-volatile storage for the configuration data. Additionally, the iCE40 configuration data can be downloaded from an external processor, microcontroller, or Digital Signal Processor (DSP) processor using the SPI interface. In this document, the term *programming* refers to the programming of the NVCM and the term *configuration* refers to the configuration of SRAM memory. For either programming or configuration, the iCE40 FPGA utilizes the SPI configuration interface.

As described in Table 2.1, iCE40 components are configured for a specific application by loading a binary configuration bitstream image, generated by the Lattice development system. For high-volume applications, the bitstream image is usually permanently programmed in the on-chip Non-volatile Configuration Memory. However, the bitstream image can also be stored externally in a standard, low-cost commodity SPI serial Flash PROM. The iCE40 component can automatically load the image using the SPI Master Configuration Interface. Similarly, the iCE40 configuration data can be downloaded from an external processor, microcontroller, or DSP using an SPI-like serial interface.

Table 2.1. Single-Ended I/O Standards

Mode	Analogy	Configuration Data Source
NVCM ¹	ASIC	Internal, lowest-cost, secure, one-time programmable NVCM.
Master SPI	Microprocessor	External, low-cost, commodity, SPI serial Flash PROM.
Slave SPI	Processor Peripheral	Configured by external device, such as a processor, microcontroller, or DSP using practically any data source, such as system Flash, a disk image, or over a network connection.

Note:

1. iCE40 LP, iCE40 HX, iCE40 Ultra, iCE40 UltraLite and iCE40 UltraPlus devices only.

Figure 2.1 provides an overview of the configuration and programming of the iCE40 FPGA. For configuration and programming, the device can be accessed using the SPI interface/protocol described in later sections of this technical note. The SRAM can configure itself (device in master mode) from the on-chip NVCM (iCE40 LP, iCE40 HX, iCE40 Ultra, iCE40 UltraLite and iCE40 UltraPlus devices only), external SPI Flash or Lattice programming hardware. An external processor or programming hardware can also configure the SRAM with the FPGA in slave SPI mode. The NVCM can be programmed using the Lattice Diamond® Programmer (version 2.2 or later) or an external processor.

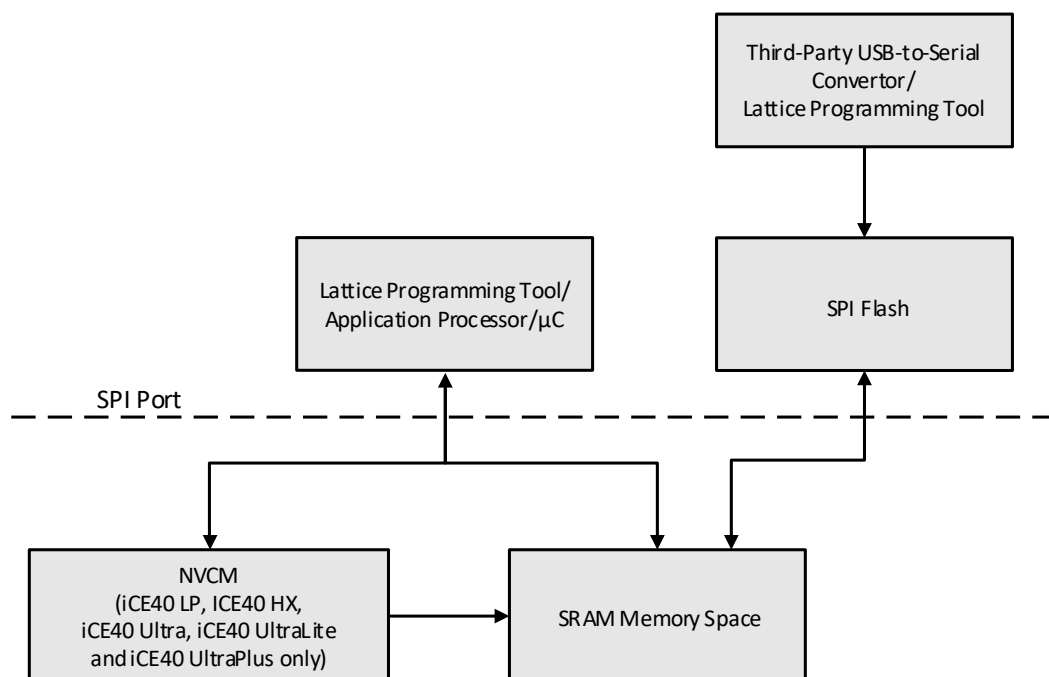


Figure 2.1. Configuring and Programming the iCE40 Device

Below is a standard configuration procedure:

1. At the beginning of the configuration, all the SRAM has been cleared to 0, so pullup is enabled by SRAM bit 0 and I/O HiZ is enabled by configuration controller.
2. In the process of bitstream downloading, all the SRAM bits are replaced with the fresh SRAM bits gradually. And the new SRAM bits take effect immediately.
3. At the end of configuration, configuration controller releases I/O (except configuration SPI pins) tristate and I/O becomes active after CDONE goes high (17 clocks), only 4 configuration SPI pins become user I/O after 49 clocks.

3. Configuration Mode Selection

3.1. Mode Selection for iCE40 LP/HX, iCE40 Ultra, iCE40 UltraLite and iCE40 UltraPlus Devices

The iCE40 LP/HX, iCE40 Ultra, iCE40 UltraLite and iCE40 UltraPlus device configuration mode is selected according to the following priority described below and illustrated in [Figure 3.1](#).

- After exiting the Power-On Reset state or when CRESET_B returns High after being held Low, the iCE40 device samples the logical value on its SPI_SS pin. Like other programmable I/O pins, the SPI_SS pin has an internal pullup resistor. Refer to [iCE40 LP/HX Family Data Sheet \(FPGA-DS-02029\)](#) for the minimum pulse width requirement of CRESET_B.
- If the SPI_SS pin is sampled as a logic '1' (High), then ...
Check if the device is enabled to configure from the NVCM. If the NVCM is programmed, the device configures from NVCM.
 - If enabled to configure from NVCM, the device configures itself using the NVCM.
 - If not enabled to configure from NVCM, then the device configures using the SPI Master Configuration Interface.
- If the SPI_SS pin is sampled as a logic '0' (Low), then the device waits to be configured from an external controller or from another device in SPI Master Configuration Mode using an SPI-like interface.

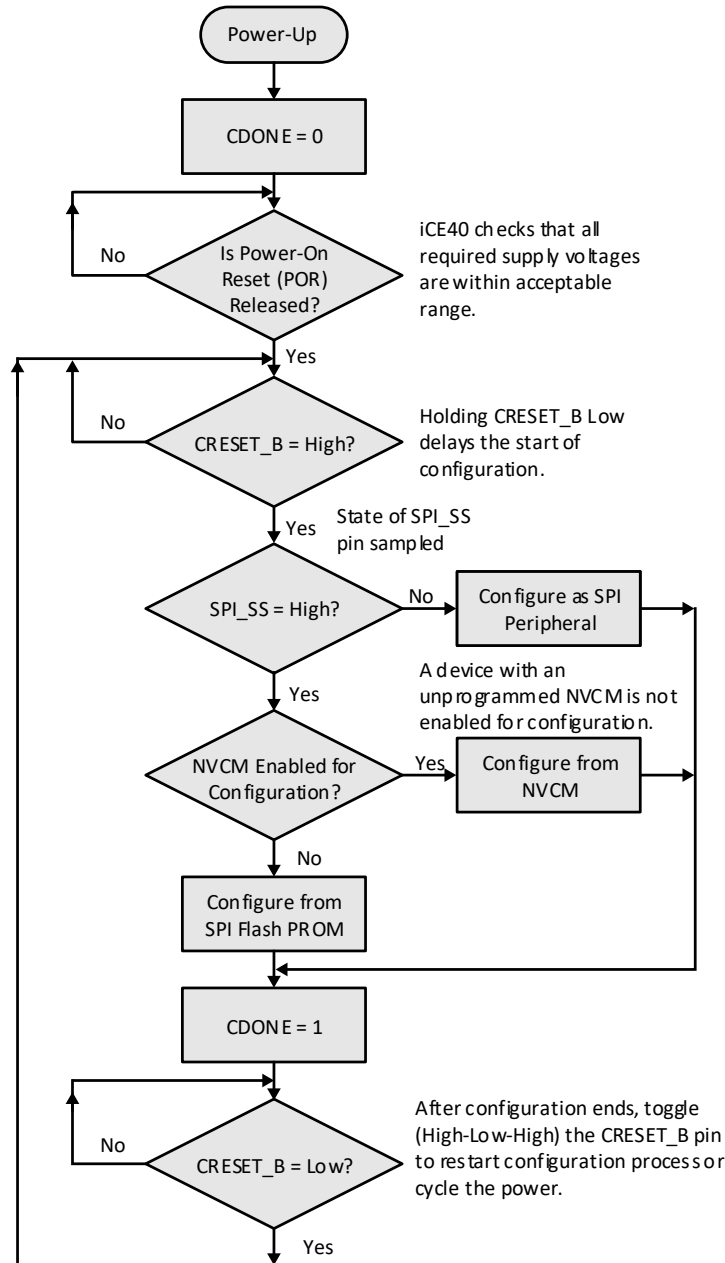


Figure 3.1. iCE40 Device Configuration Control Flow

3.2. Mode Selection for iCE40 LM

The iCE40 LM configuration mode is selected according to the following priority described below and illustrated in Figure 3.2.

- After exiting the Power-On Reset (POR) state or when CRESET_B returns High after being held Low, the device samples the logical value on its SPI_SS pin. Like other programmable I/O pins, the SPI_SS pin has an internal pullup resistor. Refer to [iCE40 LM Family Data Sheet \(FPGA-DS-02043\)](#) for the minimum pulse width requirement of CRESET_B.
- If the SPI_SS pin is sampled as a logic '1' (High), then the device configures using the SPI Master Configuration Interface.
- If the SPI_SS pin is sampled as a logic '0' (Low), then the device waits to be configured from an external controller or from another device in SPI Master Configuration Mode using an SPI-like interface.

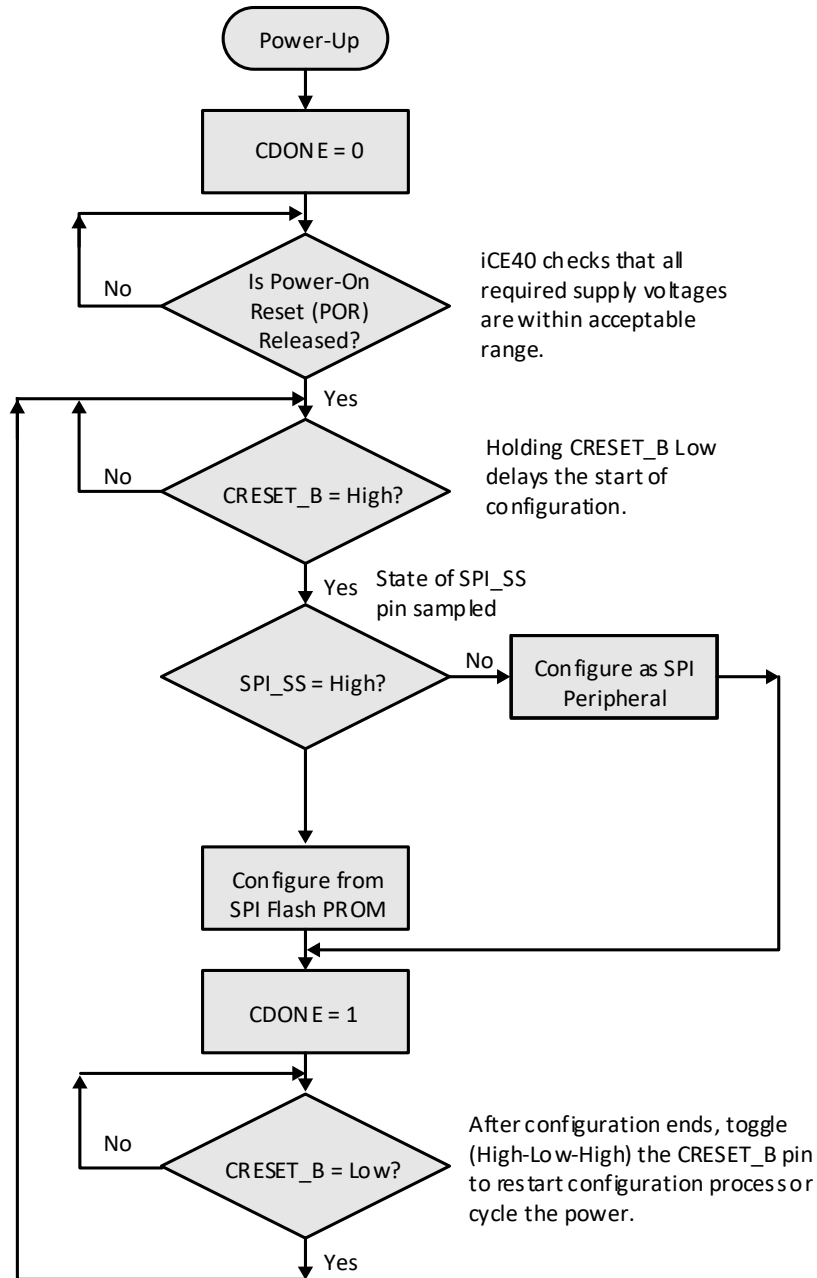


Figure 3.2. iCE40 LM Device Configuration Control Flow

4. Non-Volatile Configuration Memory

This section applies to iCE40 LP, iCE40 HX, iCE40 Ultra, iCE40 UltraLite and iCE40 UltraPlus devices only.

All standard iCE40 devices have an internal NVCM. The NVCM is large enough to program a complete iCE40 device, including initializing all Embedded Block RAM. The NVCM memory also has very high programming yield due to extensive error checking and correction (ECC) circuitry.

The NVCM is ideal for cost-sensitive, high-volume production applications, saving the cost and board space associated with an external configuration PROM. Furthermore, the NVCM provides exceptional design security, protecting critical intellectual property (IP). The NVCM contents are entirely contained within the iCE40 device and are not readable once protected by the one-time programmable Security bits. Furthermore, there is no observable difference between a programmed or unprogrammed memory cell using optical or electron microscopy.

The NVCM memory has a programming interface similar to a 25-series SPI serial Flash PROM. Consequently, it can be programmed using Diamond Programmer (version 2.2 or later) before or after circuit board assembly or programmed in-system from a microprocessor or other intelligent controller. The NVCM can also be pre-programmed at the factory. Contact Lattice Technical Support or your local Lattice sales office for assistance.

4.1. NVCM Programming

The NVCM can be programmed in the following ways:

- Diamond Programmer
 - Programming using the Diamond Programmer (Diamond 2.0.1 or later) is recommended for prototyping.
 - Programming is supported using the Lattice programming cable. For more information refer to the Diamond Programmer Online Help and the [Programming Cables User Guide \(FPGA-UG-02042\)](#).
- Factory Programming
 - The Lattice factory offers NVCM programming. For more information, contact your local Lattice sales office.
- Embedded Programming

The NVCM can be programmed using a processor. For more information, contact your local Lattice sales office.

5. Configuration Control Signals

The iCE40 configuration process is self-timed and controlled by a few internal signals and device I/O pins, as described in [Table 5.1](#).

Table 5.1. iCE40 Configuration Control Signals

Signal Name	Direction	Description
POR	Internal Control	Internal Power-On Reset circuit.
OSC	Internal Control	Internal configuration oscillator.
CRESET_B ^{2,3,4}	Input	Configuration Reset input. Active-Low. No internal pullup resistor.
CDONE ^{1,2,3,4}	Open-drain Output	Configuration Done output. With weak pullup resistor to VCCIO_X.

Notes:

1. The iCE40LP1K package CDONE pin can be used as a user output. Refer to [iCE40 LP/HX Family Data Sheet \(FPGA-DS-02029\)](#) for details.
2. Refer to Device Pin out to identify designated V_{CCIO} bank.
3. For ICELP CM36A package, VCCIO_1 and VCCIO_2 should have the same voltage source if CDONE is going to be utilized as General Purpose I/O after configuration.

The Power-On Reset circuit automatically resets the iCE40 component to a known state during power-up (cold boot). The POR circuit monitors the relevant voltage supply inputs, as shown in [Figure 5.1](#). Once all supplies exceed their minimum thresholds, the configuration controller can start the configuration process.

The configuration controller begins configuring the iCE40 device, clocked by the Internal Oscillator, OSC. The OSC oscillator continues controlling configuration unless the iCE40 device is configured using the SPI Peripheral Configuration Interface.

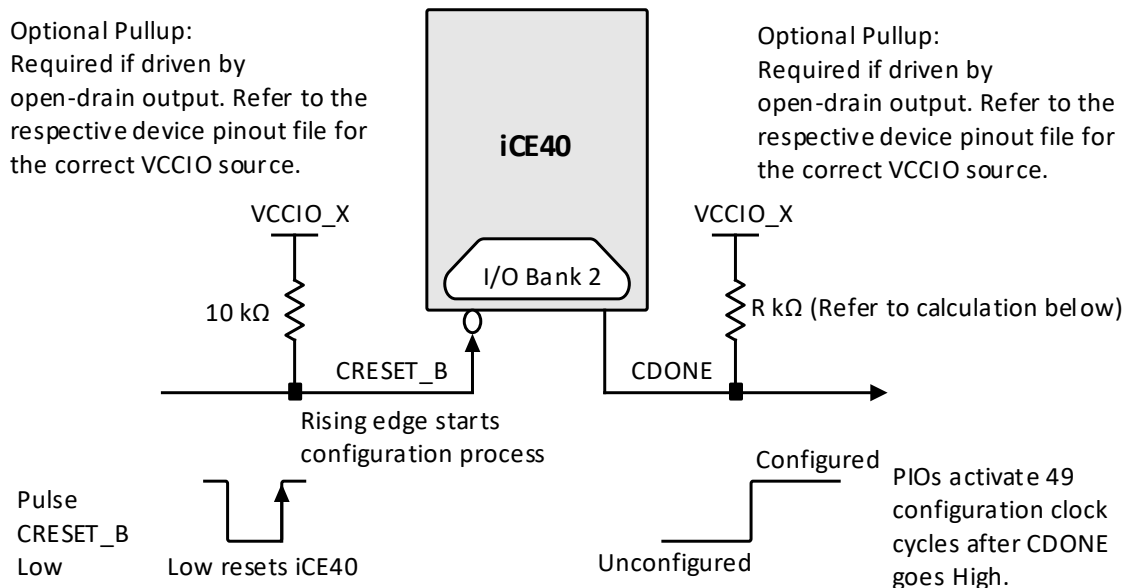


Figure 5.1. iCE40 Configuration Control Pins

[Figure 5.1](#) shows the two iCE40 configuration control pins — CRESET_B and CDONE. When driven Low, the dedicated Configuration Reset input, CRESET_B, resets the iCE40 device. When CRESET_B returns High, the iCE40 FPGA restarts the configuration process from its power-on conditions (Cold Boot). The CRESET_B pin is a pure input with no internal pullup resistor. If driven by open-drain driver or un-driven, then connect the CRESET_B pin to a 10 kΩ pullup resistor connected to the designated V_{CCIO} supply.

The iCE40 device signals the end of the configuration process by actively turning off the internal pulldown transistor on the Configuration Done output pin, CDONE. The pin has a permanent, weak internal pullup resistor to the designated V_{CCIO} rail. However, for iCE40 LX/HX devices depending on the system capacitance and configuration frequency, the CDONE pin must be tied to an external pullup resistor connected to the VCCIO_2 supply. The maximum resistor size can be calculated knowing the configuration clock frequency (SCLK or MCLK) and the CDONE trace capacitance with the following formula:

$$R_{\text{pullup}} = 1 / (2 * \text{ConfigFrequency} * \text{CDONETraceCap})$$

The PIO pins activate according to their configured function after 49 configuration clock cycles. The internal oscillator is the configuration clock source for the SPI Master Configuration Interface and when configuring from NVCM. When using the SPI Peripheral Configuration Interface, the configuration clock source is the SPI_SCK clock input pin.

6. Internal Oscillator

During SPI Master or NVCM (iCE40 LP, iCE40 HX, iCE40 Ultra, iCE40 UltraLite, and iCE40 UltraPlus only) configuration mode, the controlling clock signal is generated from an internal oscillator. The oscillator starts operating at the default frequency. During the configuration process, however, bit settings within the configuration bitstream can specify a higher-frequency mode in order to maximize SPI bandwidth and reduce overall configuration time. Refer to the data sheet for the specified oscillator frequency range.

Using the SPI Master Configuration Interface, internal oscillator controls all the interface timing and clocks the SPI serial Flash PROM via the SPI_SCK clock output pin.

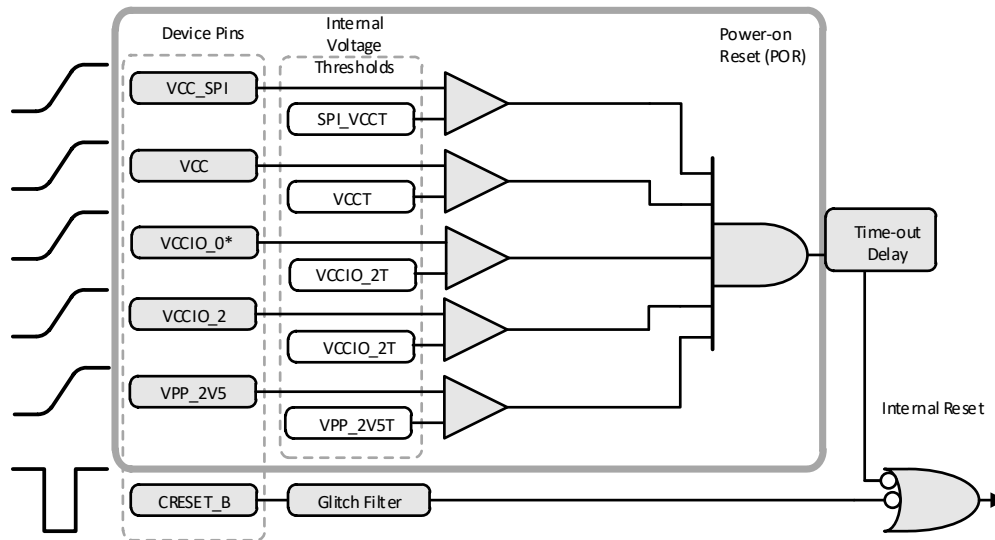
The oscillator output, which also supplies the SPI SCK clock output during the SPI Flash configuration process, has a 50% duty cycle.

The Oscillator settings can be found in the iCEcube™ software by selecting the Tools > Tool Options pulldown menu and then the Bitstream tab.

7. Internal Device Reset

Figure 7.1 presents the various signals that internally reset the iCE40 internal logic.

- Power-On Reset (POR)
- CRESET_B Pin



*Note: Applicable for iCE40LM only.

Figure 7.1. iCE40 Internal Reset Circuitry

7.1. Power-On Reset

The Power-On Reset circuit monitors specific voltage supply inputs and holds the device in reset until all the relevant supplies exceed the internal voltage thresholds. The VCC_SPI supply also has an additional time-out delay to allow an attached SPI serial PROM to power up properly. Table 7.1 lists the POR supply inputs. The Non-Volatile Configuration Memory requires that the VPP_2V5 supply be connected, even if the application does not use the NVCM.

Notes:

- It is recommended that Bank1 should be powered before the last supply gating POR.
- All banks must be powered prior to configuration.

Table 7.1. Power-On Reset Voltage Resources

Signal Name	Description
VCC	Yes
VCC_SPI	Yes
VCCIO_0 ²	Yes
VCCIO_2	Yes
VPP_2V5 ¹	Yes

Notes:

1. Only needed for iCE40 LP, iCE40 HX, iCE40 Ultra, iCE40 UltraLite and iCE40 UltraPlus devices.
2. Only needed for iCE40 LM device.

7.2. CRESET_B Pin

The CRESET_B pin resets the iCE40 internal logic when Low.

8. sysCONFIG Port

The sysCONFIG port is used to program and configure the iCE40 FPGA. The device has a SPI configuration interface as the sysCONFIG port which can be used to configure the device.

Table 8.1. sysCONFIG Ports

Interface	Port	Description
sysCONFIG	SPI Master Configuration interface	In this mode, the FPGA configures itself from an external SPI Flash. The FPGA behaves as master, generates internal clock and drives the clock to the external SPI Flash.
	SPI Slave Configuration interface	In this mode, the FPGA behaves as a Slave device. An external Application Processor, μ C or Diamond Programmer (version 2.2 or later) configures or programs the device.

8.1. sysCONFIG Pins

The iCE40 FPGA has a set of sysCONFIG pins that are used to program and configure the device. The sysCONFIG pins are grouped together to create the sysCONFIG port, as discussed above. The sysCONFIG pins are dual function, meaning they can be recovered as user I/O after configuration is complete. [Table 8.2](#) lists the sysCONFIG pins.

Table 8.2. sysCONFIG Pins

Pin Name	Associated sysCONFIG Port	Pin Direction	Description
CRESET_B	—	Input	Configuration Reset input, active-low. No internal pullup resistor.
CDONE	—	Output	Configuration Done output. The pin has a permanent, weak internal pullup resistor to the VCCIO_2 rail. Depending on the frequency of configuration and the capacitance on CDONE node, then CDONE pin must be tied to an external pullup resistor connected to the VCCIO_2 supply. The resistor size can be calculated knowing the configuration clock frequency (SCLK or MCLK) and the CDONE trace capacitance with the following formula: $R_{pullup} = 1 / (2 * ConfigFrequency * CDONETraceCap)$ The iCE40-1KLP SWG16 package CDONE pin can be used as a user output.
SPI_SS	SPI Master/Slave configuration interface	Input/Output	An important dual-function, active-low slave select pin. After the device exits POR or CRESET_B is toggled (High-Low-High), it samples the SPI_SS to select the configuration mode (an output in Master mode and an input in Slave mode). iCE40 LM devices have this pin shared with hardened SPI IP SPI1_CSN pin.
SPI_SI	SPI Master/Slave configuration interface	Input/Output	A dual-function, serial input pin in both configuration modes. iCE40 LM devices have this pin shared with hardened SPI IP SPI_MOSI pin. Setting the SPI_SI pin as GPIO allows the pin to be used as Input and/or Output.
SPI_SO	SPI Master/Slave configuration interface	Output/Input	A dual-function, serial output pin in both configuration modes. iCE40 LM devices have this pin shared with hardened SPI IP SPI_MISO pin. Setting the SPI_SO pin as GPIO allows the pin to be used as Input and/or Output.
SPI_SCK	SPI Master/Slave configuration interface	Input/Output	A dual-function clock signal. An output in Master mode and input in Slave mode. iCE40 LM devices have this pin shared with hardened SPI IP SPI_SCK pin.

9. SPI Master Configuration Interface

All iCE40 devices can be configured from an external, commodity SPI serial Flash PROM, as shown in [Figure 9.1](#). The SPI configuration interface is essentially its own independent I/O bank, powered by the VCC_SPI supply input. Presently, most commercially-available SPI serial Flash PROMs require a 3.3 V supply.

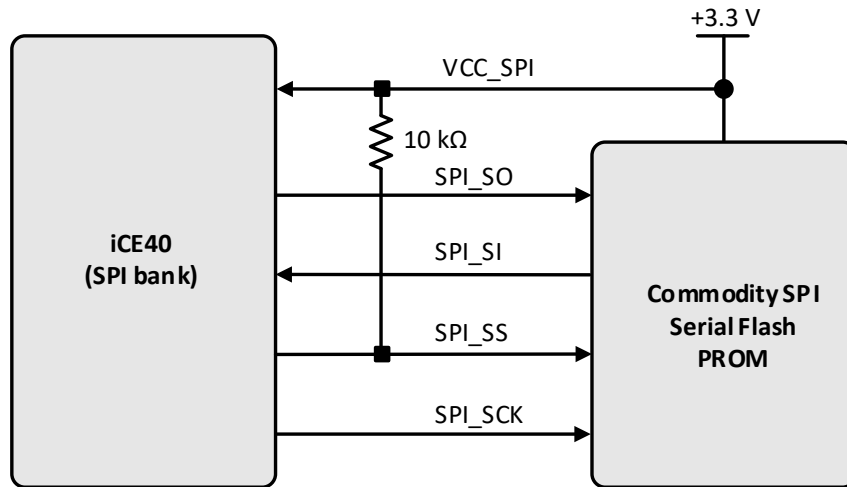


Figure 9.1. iCE40 SPI Master Configuration Interface

The SPI configuration interface is used primarily during development before mass production, where the configuration is then permanently programmed in the NVCM configuration memory (only available in iCE40 LP, iCE40 HX, iCE40 Ultra, iCE40 UltraLite and iCE40 UltraPlus devices). However, the SPI interface can also be the primary configuration interface allowing easy in-system upgrades and support for multiple configuration images.

The SPI control signals are defined in [Table 9.1](#).

Table 9.1. SPI Master Configuration Interface Pins (SPI_SS High Before Configuration)

Signal Name	Direction	Description
VCC_SPI	Supply	SPI Flash PROM voltage supply input.
SPI_SO	Output	SPI Serial Output from the iCE40 device.
SPI_SI	Input	SPI Serial Input to the iCE40 device, driven by the select SPI serial Flash PROM.
SPI_SS	Output	SPI Slave Select output from the iCE40 device. Active Low.
SPI_SCK	Output	SPI Slave Clock output from the iCE40 device.

After configuration, the SPI port pins are available to the user-application as additional PIO pins, supplied by the VCC_SPI input voltage.

9.1. SPI Master Configuration Mode Timing Considerations

In SPI Master mode, the iCE40 device outputs the SPI_SCK. This clock is used to time the external SPI Flash PROM. The data from the external SPI Flash is input to the iCE40 device on the SPI_SI pin. This data needs to meet the t_{SU} and t_{HD} referenced to the SPI_SCK output clock, as shown in [Figure 9.2](#). The Flight Time shown in the figure represents the time when the SPI_SCK outputs, through the signal trace, to the external SPI Flash PROM. It also includes the time to clock SPI Flash data out (usually it is the t_{CO} of SPI Flash), plus the data signal trace routed back from the external SPI Flash PROM to the input of SPI_SI pin. To ensure that the data is clocked into the iCE40 correctly within an SPI_SCK cycle, this Flight Time plus t_{SU} , shown in [Figure 9.2](#), cannot exceed the cycle time of SPI_SCK. Different techniques can be applied to run a faster SPI_SCK clock rate, such as pipeline data from external SPI Flash PROM output. Under such condition, the Flight Time is measured as the delay with clock-to-out of the pipeline register.

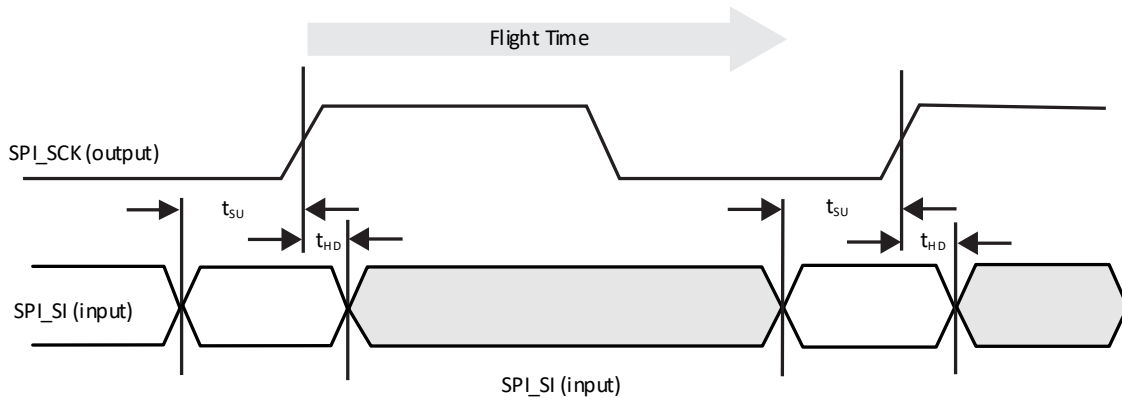


Figure 9.2. SPI Master Configuration Timing

9.2. SPI PROM Requirements

The iCE40 SPI Flash configuration interface supports a variety of SPI Flash memory vendors and product families. However, Lattice does not specifically test, qualify, or otherwise endorse any specific SPI Flash vendor or product family. The iCE40 SPI interface supports SPI PROMs that they meet the following requirements.

- The PROM must operate between 1.8 V to 3.3 V in order to trigger the iCE40 FPGA power-on reset circuit.
- The PROM must support the 0x0B Fast Read command, using a 24-bit start address and has 8 dummy bits before the PROM provides first data (see [Figure 9.4](#)).
- The PROM must have enough bits to program the iCE40 device.
- The PROM must support data operations at the upper frequency range for the selected iCE40 internal oscillator frequency (refer to the data sheet). The oscillator frequency is selectable when creating the FPGA bitstream image.
- For lowest possible power consumption after configuration, the PROM should also support the 0xB9 Deep Power Down command and the 0xAB Release from Deep Power-down Command (see [Figure 9.3](#) and [Figure 9.5](#)). The low-power mode is optional. The PROM must be powered and ready to be accessed following iCE40 POR.
- The PROM must be ready to accept commands 10 μ s after meeting its power-on conditions. In the PROM data sheet, this may be specified as tVSL or tVCSL. It is possible to use slower PROMs by holding the CRESET_B input Low until the PROM is ready, then releasing CRESET_B, either under program control or using an external power-on reset circuit.

The iCEblink40™ development board and associated programming software uses an ST Micro/Numonyx M25Pxx SPI serial Flash PROM. [Table 9.2](#) lists the bitstream sizes for different densities of the iCE40 FPGA that can be used to select a SPI Flash.

Table 9.2. Bitstream Sizes for Different iCE40 FPGA Densities Used to Select a SPI Flash

Device	Bytes	Bits
iCE40-LP 384	7417	59336
iCE40-LP 640	32306	258448
iCE40-LP/HX 1K	32303	258424
iCE40-LP/HX 4K	135183	1081464
iCE40-LP/HX 8K	135183	1081464
iCE40LM 1K	68177	545416
iCE40LM 2K	68177	545416
iCE40LM 4K	68176	545408
iCE5LP 1K	71342	570736
iCE5LP 2K	71342	570736
iCE5LP 4K	71342	570736
iCE40UL 640	30942	247536
iCE40UL 1K	30942	247536
iCE40UP 3K	104161	833288
iCE40UP 5K	104161	833288

9.3. Enabling SPI Configuration Interface

To enable the SPI configuration mode, the SPI_SS pin must be allowed to float High. The SPI_SS pin has an internal pullup resistor. If SPI_SS is Low, then the iCE40 component defaults to the SPI Slave configuration mode.

9.4. SPI Master Configuration Process

The iCE40 SPI Master Configuration Interface supports a variety of modern, high-density, low-cost SPI serial Flash PROMs. Most modern SPI PROMs include a power-saving Deep Power-down mode. The iCE40 component exploits this mode for additional system power savings.

The iCE40 SPI interface starts by driving SPI_SS Low, and then sends a Release from Power-down command to the SPI PROM, hexadecimal command code 0xAB. [Figure 9.3](#) provides an example waveform. This initial command wakes up the SPI PROM if it is already in Deep Power-down mode. If the PROM is not in Deep Power-down mode, the extra command has no adverse effect other than that it requires a few additional microseconds during the configuration process. The iCE40 device transmits data on the SPI_SO output, on the falling edge of the SPI_SCK output. The SPI PROM does not provide any data to the iCE40 device SPI_SI input. After sending the last command bit, the iCE40 device de-asserts SPI_SS High, completing the command. The iCE40 device then waits a minimum of 10 μ s before sending the next SPI PROM command.

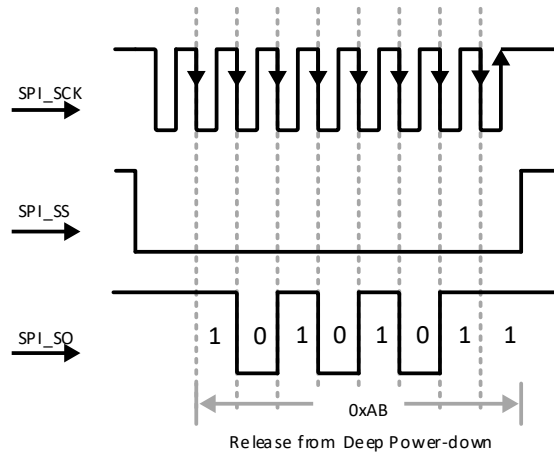


Figure 9.3. SPI Release from Deep Power-down Command

Figure 9.4 illustrates the next command issued by the iCE40 device. The iCE40 SPI interface again drives SPI_SS Low, followed by a Fast Read command, hexadecimal command code 0x0B, followed by a 24-bit start address, transmitted on the SPI_SO output. The iCE40 device provides data on the falling edge of SPI_SS. Upon initial power-up, the start address is always 0x00_0000. After waiting eight additional clock cycles, the iCE40 device begins reading serial data from the SPI PROM. Before presenting data, the SPI PROM serial data output is high-impedance. The SPI_SI input pin has an internal pullup resistor and sees high-impedance as logic 1.

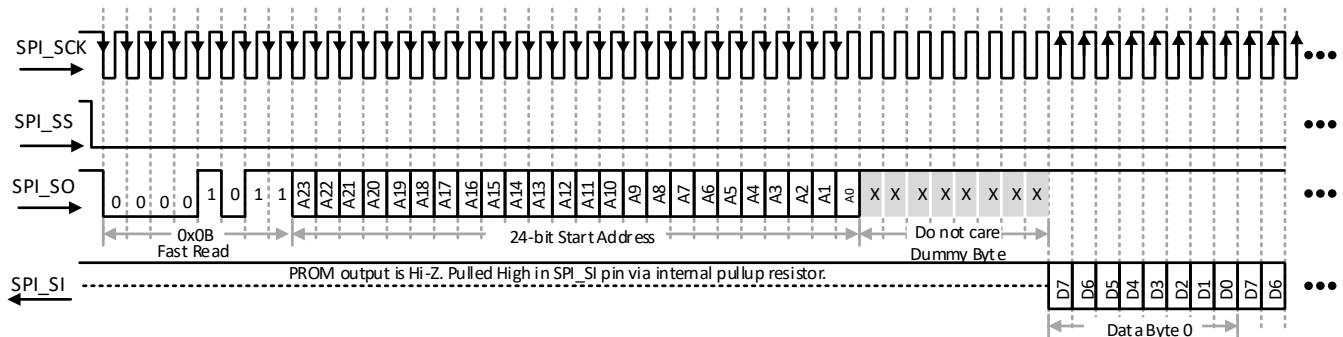


Figure 9.4. SPI Fast Read Command

The external SPI PROM supplies data on the falling edge of the iCE40 device SPI_SCK clock output. The iCE40 device captures each PROM data value on the SPI_SI input, using the rising edge of the SPI_SCK clock signal. The SPI PROM data starts at the 24-bit address presented by the iCE40 device. PROM data is serially output, byte by byte, with the most-significant bit, D7, presented first. The PROM automatically increments an internal byte counter as long as the PROM is selected and clocked.

After transferring the required number of configuration data bits, the iCE40 device ends the Fast Read command by de-asserting its SPI_SS PROM select output, as shown in Figure 9.5. To conserve power, the iCE40 device then optionally issues a final Deep Power-down command, hexadecimal command code 0xB9. After de-asserting the SPI_SS output, the SPI PROM enters its Deep Power-down mode. The final power-down step is optional; the application may wish to use the SPI PROM and can skip this step, controlled by a configuration option.

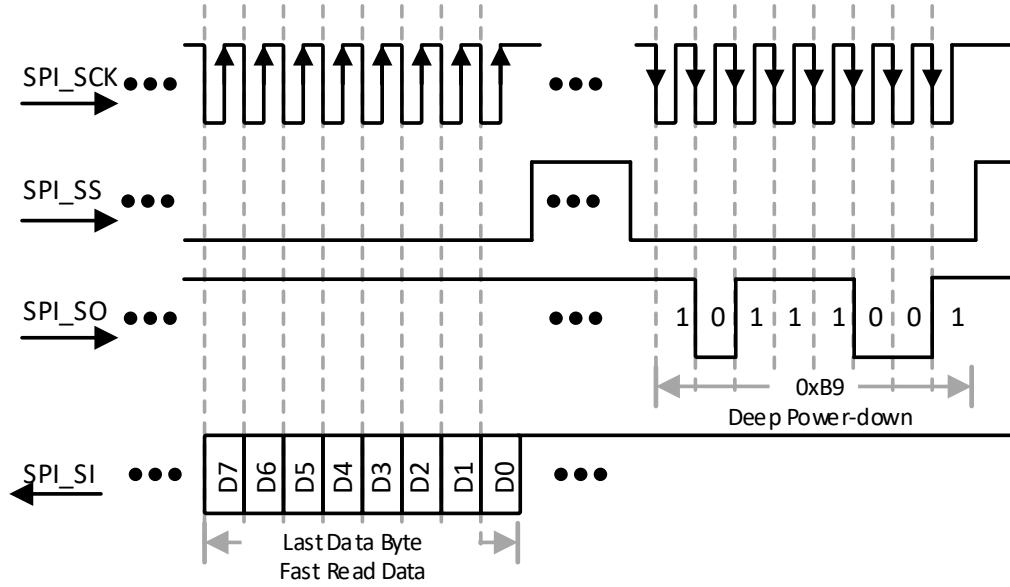


Figure 9.5. Final Configuration Data, SPI Deep Power-down Command

10. Cold Boot Configuration Option

This section applies to iCE40 LP and iCE40 HX devices only.

By default, the iCE40 FPGA is programmed with a single configuration image, either from internal NVCM memory, from an external SPI Flash PROM, or externally from a processor or microcontroller.

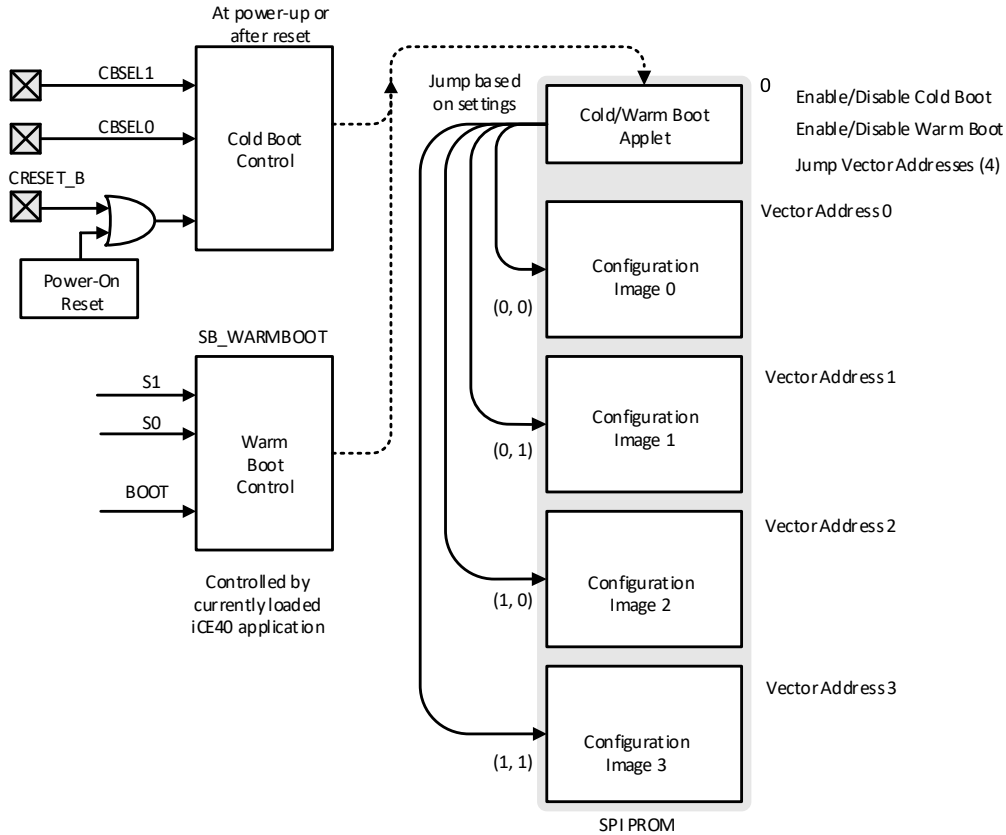


Figure 10.1. Cold Boot and Warm Boot Configuration

When self-loading from an SPI Flash PROM, the FPGA supports an additional configuration option called Cold Boot mode. This option can be implemented by creating an applet from Deployment Tool as shown in Figure 10.2. When this option is enabled in the applet, the iCE40 FPGA boots normally from power-on or a master reset (CRESET_B = Low pulse), but monitors the value on two PIO pins that are borrowed during configuration, as shown in Figure 10.1. These pins, labeled PIO2/CBSEL0 and PIO2/CBSEL1, tell the FPGA which of the four possible SPI configurations to load into the device.

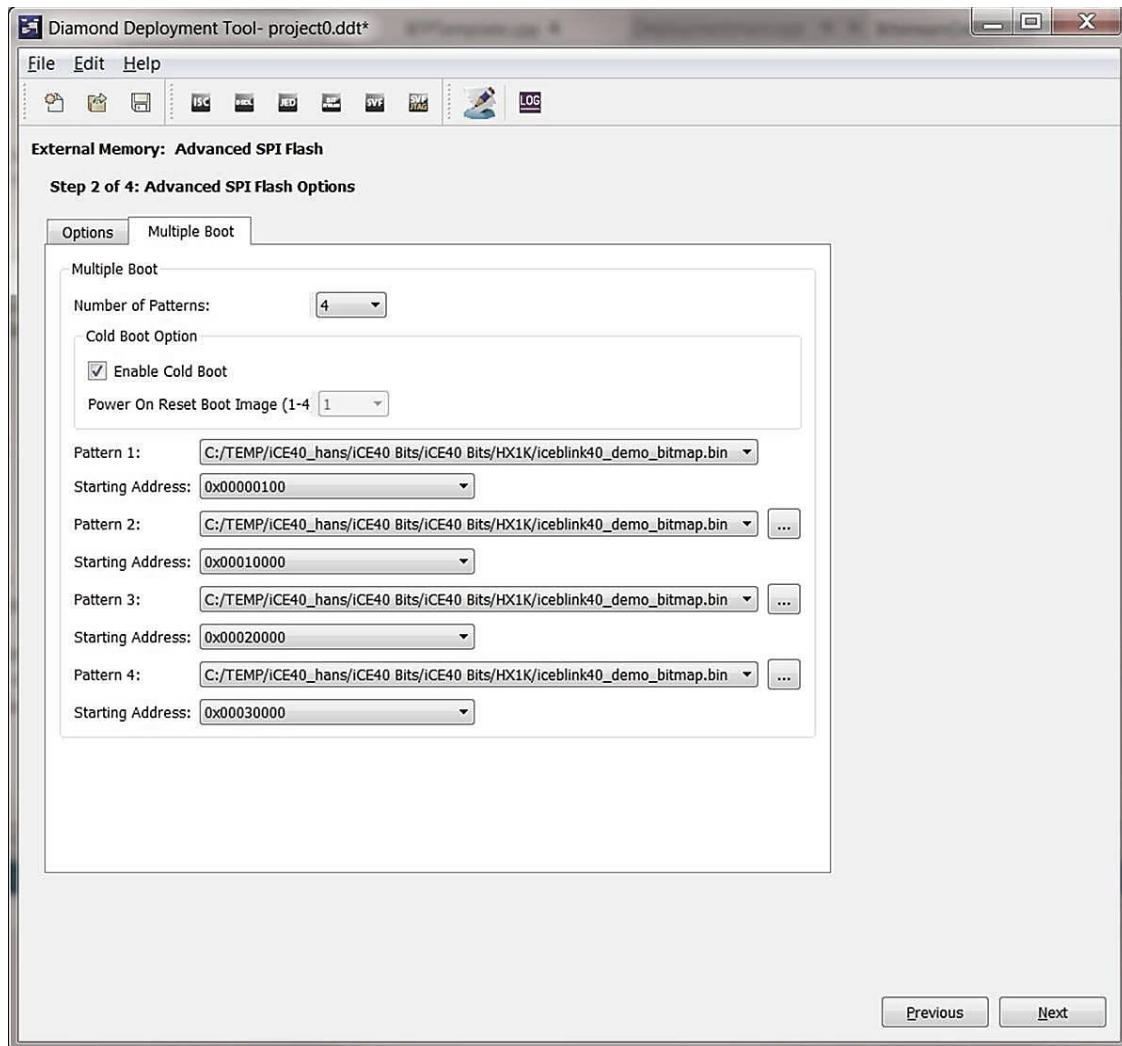


Figure 10.2. Diamond Deployment Tool – Advanced SPI Flash Options

- For Cold Boot or Warm Boot applications, the initial configuration image must be stored at SPI Flash PROM and the cold boot/warm boot applet must be stored at SPI Flash PROM address 0.
- Check if Cold Boot configuration feature is enabled in the applet.
 - If Cold Boot is not enabled, the FPGA configuration starts from the default location (image 0) defined in the Warm Boot applet.
 - If Cold Boot is enabled, the FPGA reads the logic values on pins CBSEL[1:0]. The FPGA uses the value as a vector and then reads from the indicated vector address.
 - At the selected CBSEL[1:0] vector address, there is a starting address for the selected configuration image.
 - For SPI Flash PROMs, the new address is a 24-bit start address in Flash.

Table 10.1. CBSEL[1:0] Vector Address

CBSEL[1:0]	Vector Address
00	0
01	1
10	2
11	3

Using the new start address, the FPGA restarts reading configuration memory from the new location.

When creating the initial configuration image, the Lattice development software loads the start address for up to four configuration images in the multiple combined bitstreams. The multiple combined bitstreams are stored in the SPI flash. The value on the CBSEL[1:0] pins tells the configuration controller to read a specific start address, then to load the configuration image stored at the selected address.

After configuration, the CBSEL[1:0] pins become normal PIO pins available to the application.

The Cold Boot feature allows the iCE40 to be reprogrammed for special application requirements such as the following.

- A normal operating mode and a self-test or diagnostics mode.
- Different applications based on switch settings.
- Different applications based on a card-slot ID number. Use external SPI Flash PROMs only.

11. Warm Boot Configuration Option

The Warm Boot configuration is similar to the Cold Boot feature, but is completely under the control of the FPGA application. To enable Warm Boot, set Enable warm boot in Tool Options in Lattice iCEcube. Upon power up, the default image points to Image 0 stored in the SPI flash.

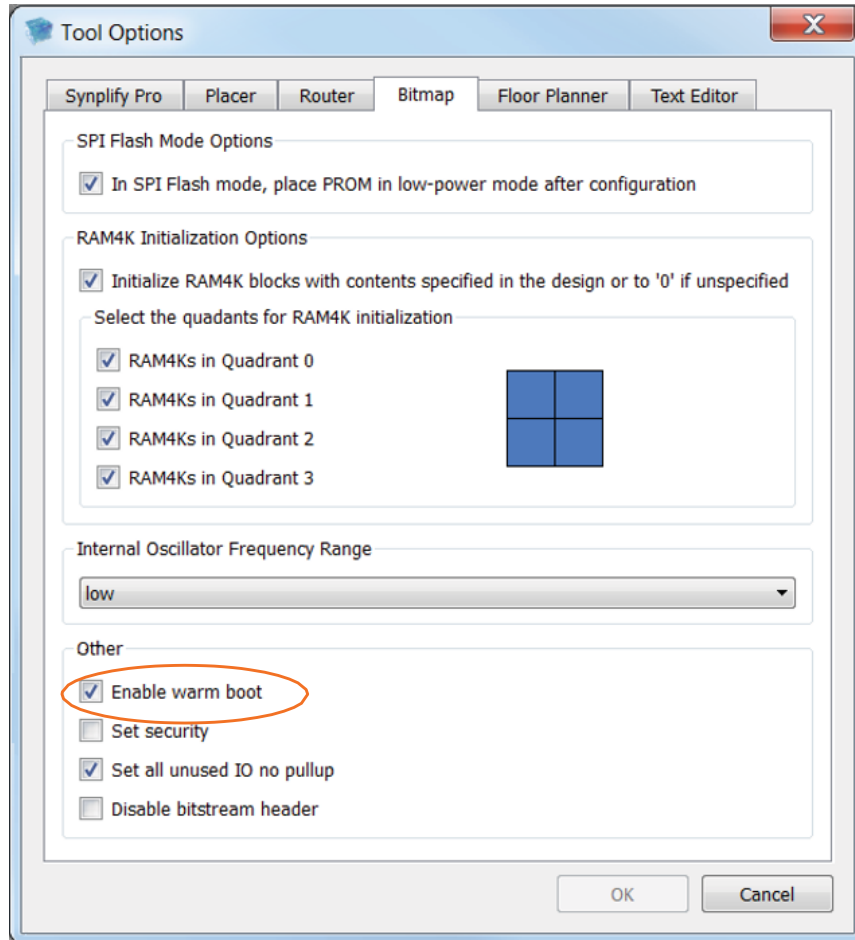


Figure 11.1. Enable Warm Boot Option

A special design primitive, SB_WARMBOOT, allows an FPGA application to choose between four configuration images using two internal signal ports, S1 and S0, as shown in [Figure 10.1](#). These internal signal ports connect to programmable interconnect, which in turn can connect to Programmable Logic Block (PLB) and/or PIO pins. S1 and S0 are used in the same way as CBSEL[1:0] as of the vector address indicators. The Warm Boot applet is created in the same way as shown in [Figure 10.2](#).

After selecting the desired configuration image, the application then asserts the internal signal BOOT port High to force the FPGA to restart the configuration process from the specified vector address stored in PROM.

12. Time-Out and Retry

When configuring from external SPI Flash, the iCE40 device looks for a synchronization word. If the device does not find a synchronization word within its timeout period, the device automatically attempts to restart the configuration process from the very beginning. This feature is designed to address any potential power-sequencing issues that may occur between the iCE40 device and the external PROM.

The iCE40 device attempts to reconfigure six times. If not successful after six attempts, the iCE40 FPGA automatically goes into low-power mode.

13. SPI Slave Configuration Interface

Using the SPI slave configuration interface, an application processor (AP) serially writes a configuration image to an iCE40 FPGA using the iCE40 SPI interface, as shown in Figure 13.1. The iCE40 SPI configuration interface is a separate, independent I/O bank, powered by the VCC_SPI supply input. Typically, VCC_SPI is the same voltage as the application processor I/O. The configuration control signals, CDONE and CRESET_B, are supplied by the separate I/O Bank 2 voltage input, VCCIO_2.

This same SPI slave interface supports the programming of the Non-Volatile Configuration Memory of the iCE40.

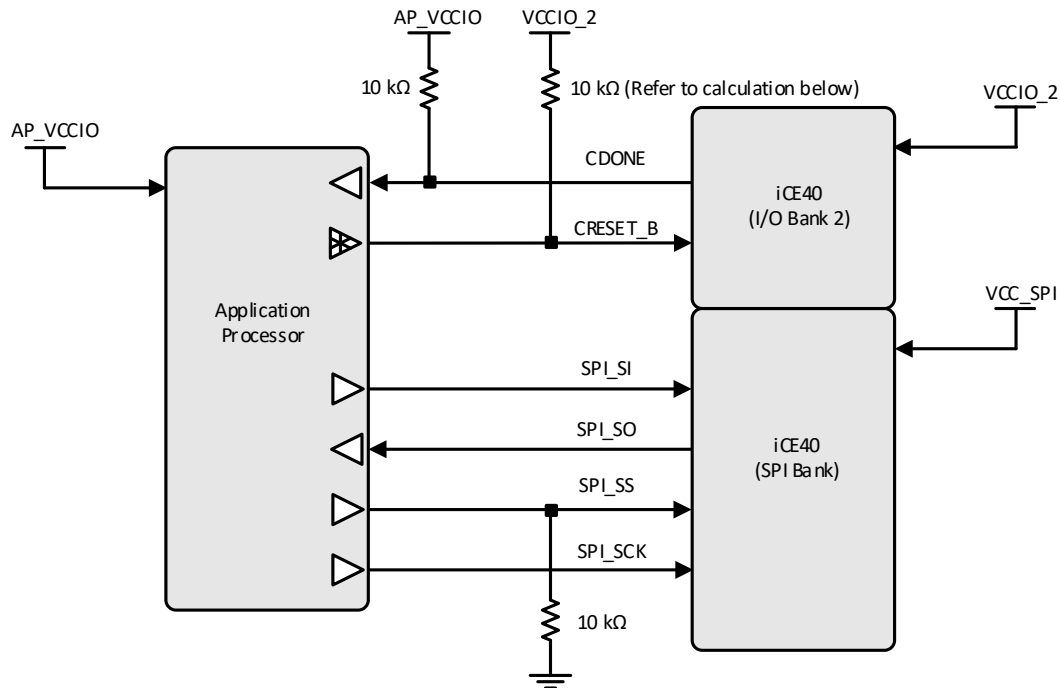


Figure 13.1. iCE40 SPI Slave Configuration Interface

The SPI control signals are defined in Table 13.1.

Table 13.1. SPI Slave Configuration Interface Pins (SPI_SS Low when CRESET_B Released)

Signal Name	Direction	iCE40 I/O Supply	Description
CDONE	Output	VCCIO_2	Configuration Done output from iCE40. Connect to an external pullup resistor to the application processor I/O voltage, AP_VCC. The resistor size can be calculated knowing the configuration clock frequency (SCLK or MCLK) and the CDONE trace capacitance with the following formula: $R_{pullup} = 1 / (2 * ConfigFrequency * CDONETraceCap)$ The iCE40-1KLP SWG16 package CDONE pin can be used as a user output.
CRESET_B	Input		Configuration Reset input on iCE40. Typically driven by AP using an open-drain driver, which also requires a 10 kΩ pullup resistor to VCCIO_2.
VCC_SPI	Supply	VCC_SPI	SPI Flash PROM voltage supply input.
SPI_SI	Input		SPI Serial Input to the iCE40 FPGA, driven by the application processor.
SPI_SO	Output		SPI Serial Output from iCE40 device to the application processor. Not actually used during SPI peripheral mode configuration but required if the SPI interface is also used to program the NVCM.
SPI_SS	Input		SPI Slave Select output from the application processor. Active Low. Optionally hold Low prior to configuration using a 10 kΩ pulldown resistor to ground.
SPI_SCK	Input		SPI Slave Clock output from the application processor.

After configuration, the SPI port pins are available to the user-application as additional PIO pins, supplied by the VCC_SPI input voltage.

13.1. Enabling SPI Configuration Interface

The optional 10 kΩ pulldown resistor on the SPI_SS signal ensures that the iCE40 FPGA powers up in the SPI peripheral mode. Optionally, the application processor drives the SPI_SS pin Low when CRESET_B is released, forcing the iCE40 FPGA into SPI peripheral mode. SPI Configuration interface requires CRESET held low for reconfiguration and SPI_SS to be held on POR for at least 200 ns to activate SSPI.

13.2. SPI Slave Configuration Process

Figure 13.2 illustrates the interface timing for the SPI slave mode and Figure 13.3 outlines the resulting configuration process. The actual timing specifications appear in the data sheet. The application processor (AP) begins by driving the iCE40 CRESET_B pin Low, resetting the iCE40 FPGA. Similarly, the AP holds the iCE40 SPI_SS pin Low. The AP must hold the CRESET_B pin Low for at least 200 ns. Ultimately, the AP either releases the CRESET_B pin and allows it to float High via the 10 kΩ pullup resistor to VCCIO_2 or drives CRESET_B High. The iCE40 FPGA enters SPI peripheral mode when the CRESET_B pin returns High while the SPI_SS pin is Low.

After driving CRESET_B High or allowing it to float High, the AP must wait a minimum of 1200 μs, allowing the iCE40 FPGA to clear its internal configuration memory.

After waiting for the configuration memory to clear, the AP sends the configuration image generated by the Diamond Programmer (version 2.2 or later). Once the iCE40 clears its internal configuration memory, the SPI_SS goes to High, waits eight clock cycles, then goes back to Low and the AP sends the configuration image generated by the Diamond Programmer. An SPI slave mode configuration image must not use the Cold Boot or Warm Boot options. Send the entire configuration image, without interruption, serially to the iCE40 SPI_SI input on the falling edge of the SPI_SCK clock input. Once the AP sends the 0x7EAA997E synchronization pattern, the generated SPI_SCK clock frequency must be within the range specified in the data sheet while sending the configuration image.

Send each byte of the configuration image with most-significant bit (msb) first. The AP sends data to the iCE40 FPGA on the falling edge of the SPI_SCK clock. The iCE40 FPGA internally captures each incoming SPI_SI data bit on the rising

edge of the SPI_SCK clock. The SPI_SO output pin in the iCE40 is not used during SPI slave mode but must connect to the AP if the AP also programs the NVCM of the iCE40 device.

After sending the entire image, the iCE40 FPGA releases the CDONE output allowing it to float High via the external pullup resistor to AP_VCC. If the CDONE pin remains Low, then an error occurred during configuration and the AP should handle the error accordingly for the application.

After the CDONE output pin goes High, send at least 49 additional dummy bits, effectively 49 additional SPI_SCK clock cycles measured from rising-edge to rising-edge.

After the additional SPI_CLK cycles, the SPI interface pins then become available to the user-application loaded in FPGA. In the iCE40-1KLP SWG16 package, the CDONE pin can be used as a user output.

To reconfigure the iCE40 FPGA or to load a different configuration image, merely restart the configuration process by pulsing CRESET_B Low or power-cycling the FPGA.

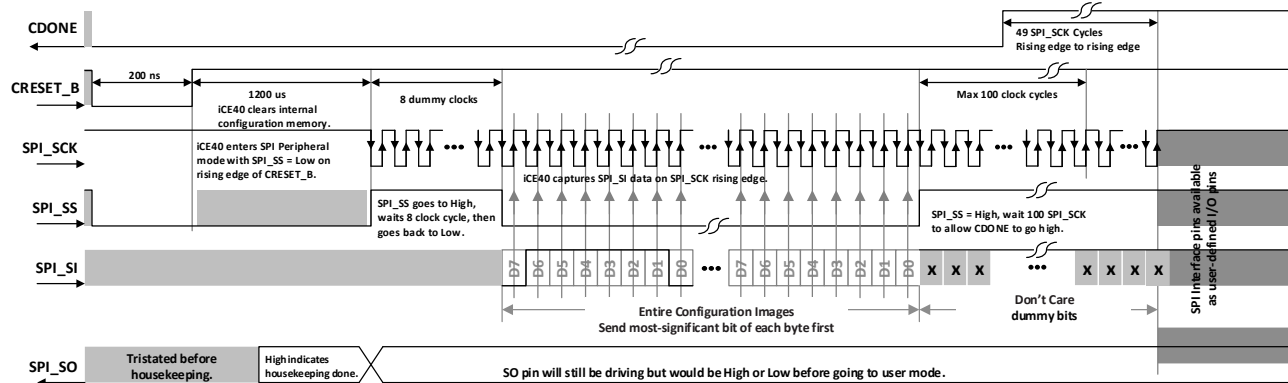
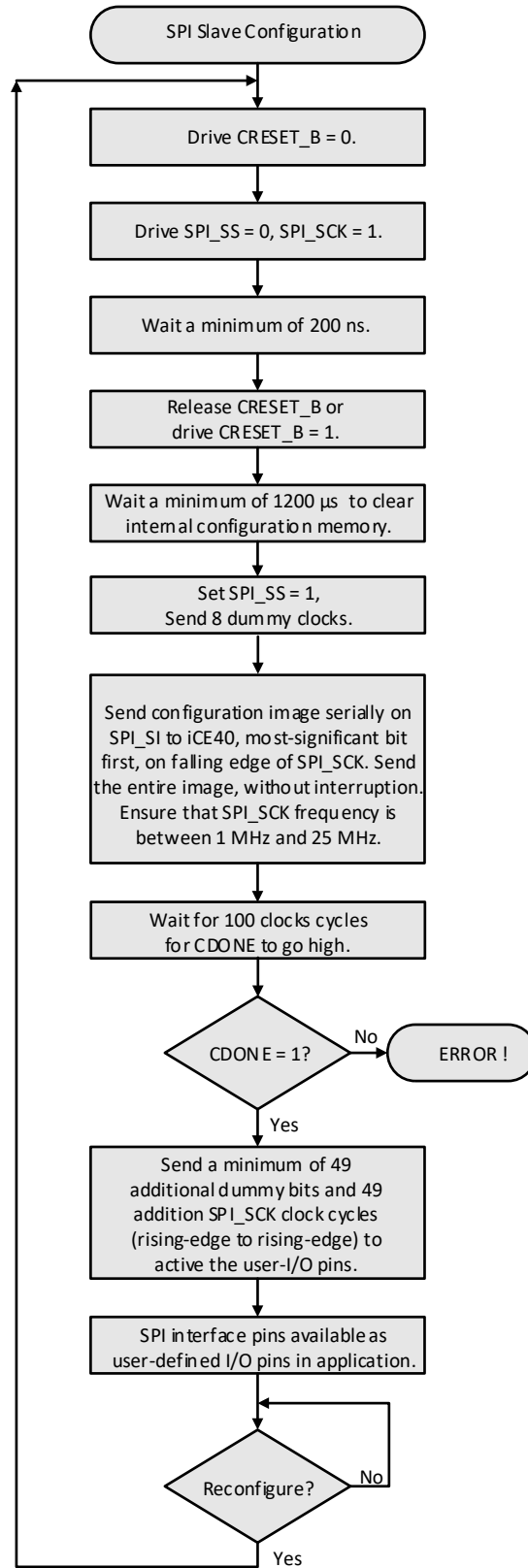


Figure 13.2. Application Processor Waveforms for SPI Peripheral Mode Configuration Process



Note: The configuration flow is the same for a bitstream with and without a header.

Figure 13.3. SPI Slave Configuration Process

Refer to [Appendix A. SPI Slave Configuration Procedure](#) for the SPI peripheral configuration procedure.

13.3. Voltage Compatibility

As shown in [Figure 13.1](#), there are potentially three different supply voltages involved in the SPI Peripheral interface, described in [Table 13.2](#).

Table 13.2. SPI Peripheral Mode Supply Voltages

Supply Voltage	Description
AP_VCCIO	I/O supply to the Application Processor (AP)
VCC_SPI	Voltage supply for the iCE40 SPI interface
VCCIO_2	Supply voltage for the iCE40 I/O Bank 2

[Table 13.3](#) describes how to maintain voltage compatibility for two interface scenarios. The easiest interface is when the Application Processor (AP) I/O supply rail and the iCE40 SPI and VCCIO_2 bank supply rails all connect to the same voltage. The second scenario is when the AP I/O supply voltage is greater than the iCE40 VCCIO_2 supply voltage.

Table 13.3. CRESET_B and CDONE Voltage Compatibility

Condition	CRESET_B			CDONE Pullup	Requirement
	Direct	Open-Drain	Pullup		
AP_VCCIO = VCC_SPI AP_VCCIO = VCCIO_2	OK	OK with pullup	Required if using open-drain output	Recommended	AP can directly drive CRESET_B High and Low although an open-drain output recommended is if multiple devices control CRESET_B. If using an open-drain driver, the CRESET_B input must include a 10 kΩ pullup resistor to VCCIO_2. The 10 kΩ pullup resistor to AP_VCCIO is also
AP_VCCIO > VCCIO_2	N/A	Required, requires pullup	Required	Required	The AP must control CRESET_B with an open-drain output, which requires a 10 kΩ pullup resistor to VCCIO_2. The 10 kΩ pullup resistor to AP_VCCIO is required.

Appendix A. SPI Slave Configuration Procedure

A.1. CPU Configuration Procedure

The sequence for configuring the iCE40 SRAM follows.

Table A.1. iCE40 SRAM Configuration Sequence

Index	Step	Action	Description
1	Power up the iCE40 FPGA or toggle its CRESET signal low for minimum 200 ns and toggle back to high with SPI_SS = 0, forcing the device to enter Slave mode.	Hold SPI_SS =0 and toggle CRESET	See Figure A.1 .
2	Wait $\geq 1200 \mu\text{s}$ until the iCE40 FPGA completes internal housekeeping work and is ready to receive CPU bitmap data and instructions. Then toggle SPI_SS to high, send 8 dummy clocks, then toggle it back to low.	Toggle SPI_SS high Send eight dummy clocks Toggle SPI_SS low	—
3	From this point on, the iCE40 FPGA requires the CPU to provide operation clock through the SPI_SCK pin of the iCE40 FPGA until configuration is complete.	Feed clock to the SPI_CLK pin	—
4	Read and start sending the FPGA bitmap to the iCE40 device. Data goes to the SPI_SDI pin.	Tx bitmap data from user memory	Each clock shifts one bit of data at the clock falling edge. Hold previous SPI_SS state, no toggle. Complete sending all bits in bitmap file. Important: Continuous clock is required.
5	Wait for 100 clocks.	Shifting 100 clocks	Configuration complete after 100 clocks.
6	Monitor the CDONE pin. It should go to high. Otherwise, the configuration fails and stops.	Check CDONE Hi	Device in operation when CDONE = 1; device fails when CDONE = 0.
7	Wait for 49 additional cycles for the SPI pins to become user I/O	—	—

A.2. Configuration Waveforms

iCE40 Reset Waveforms

The reset timing waveforms for initiating NVCM programming are shown below.

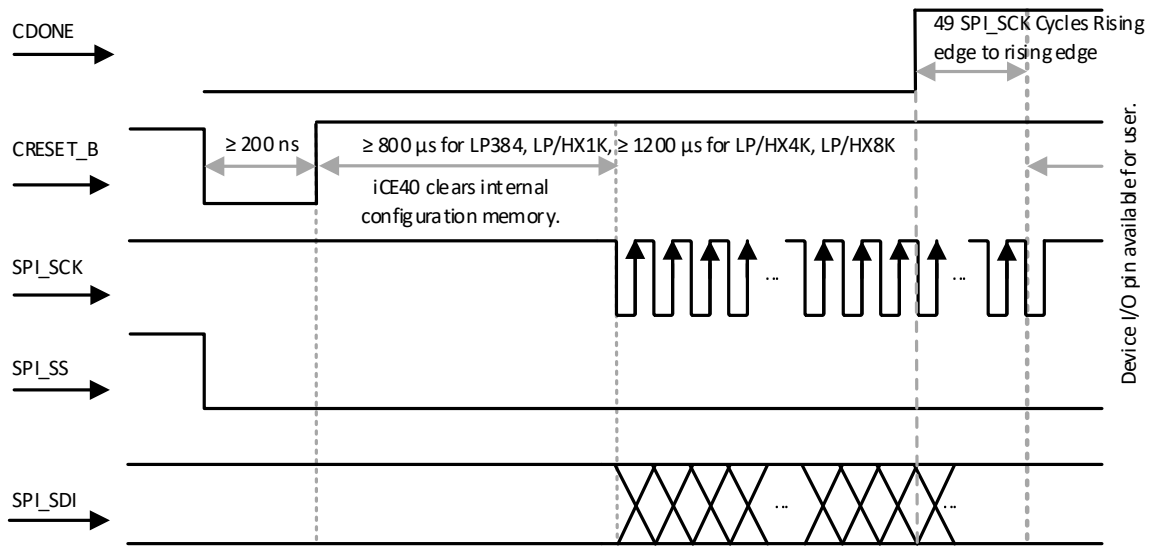


Figure A.1. iCE40 Reset Waveform 1

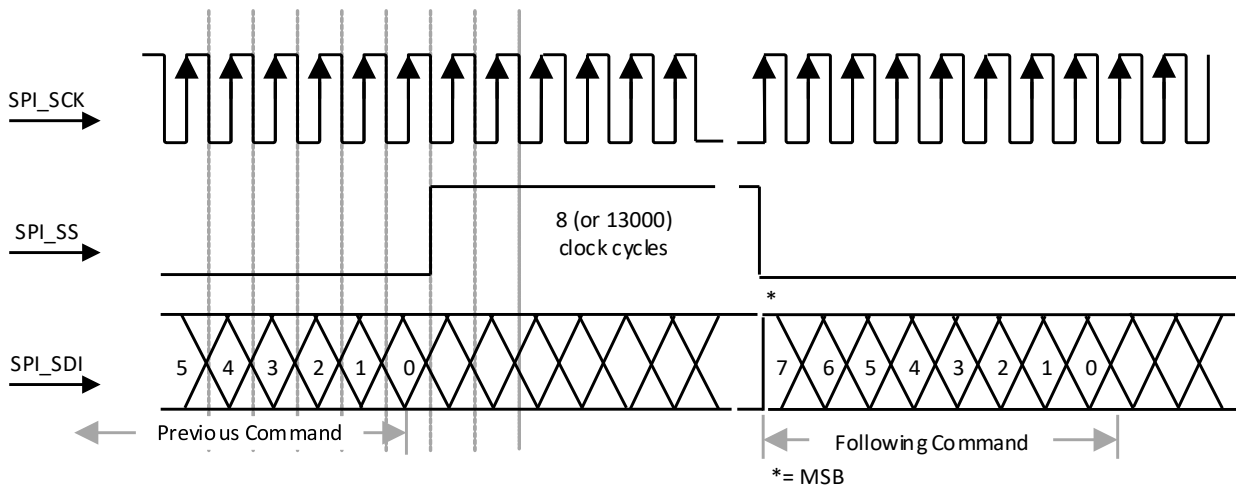


Figure A.2. iCE40 Reset Waveform 2

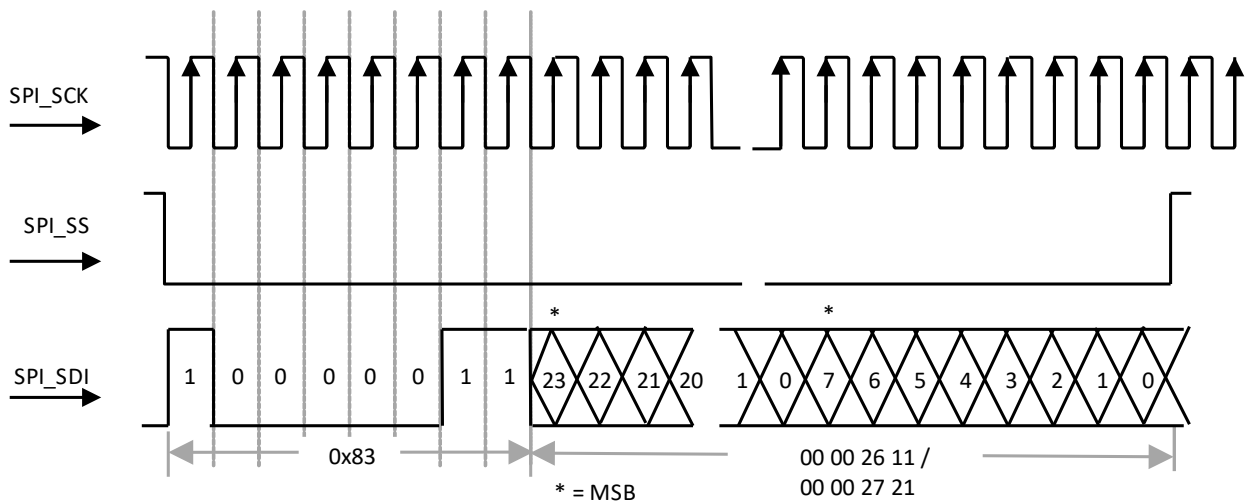


Figure A.3. iCE40 Reset Waveform 3

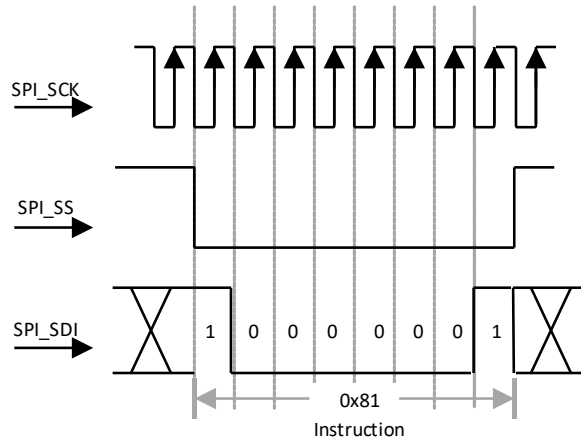


Figure A.4. iCE40 Reset Waveform 4

A.3. Pseudo Code

Configuration

The pseudo code included below configures an iCE40 device. It assumes a raw binary file generated from iCEcube is used (*.bin). Alternatively, a hex file is also generated from iCEcube and can be used as well. The implementation should only make the necessary text-to-binary conversions.

```
//
//   iCE40 Configuration Pseudo-code
//
void Config iCE40 (type, file)
{
//
// Open Hex File early to avoid clock delay later
//
file pointer = fopen(file);// Open bin file

//
// Reset the iCE40 Device
//
Set_Port(SPI_SS, false);// Set SPI SS low Set_Port(CRESET, false);// Set CRESET low
Set_Port(SPI_CLK, true);// Set SPI CLK high nSec Delay(200);// Delay minimum 200 nsec
Set_Port(CRESET, true);// Set CRESET high
if (type == L1K or L4K)
uSec Delay(800);// Delay 800 usec if L1K,L4K else if (type == L8K)
uSec Delay(1200);// Delay 1200 usec for L8K Set_Port(SPI_SS, true);// Set SPI SS high
Send_Clocks (8);// Send 8 clocks
Set_Port(SPI_SS, false); // Set SPI SS low
//
// Send data from bin file
//
Send File(file pointer);// Send bin file Send_Clocks (100);// Send 100 clocks
//
// Verify successful configuration
//
set_Port(SPI_SS,true); // Set SPI SS high
if (Get_Port(CDONE))
Return PASS;// PASS if CDONE is true else
Return FAIL;// FAIL if CDONE is false
}

//
//   Clock Generation 10MHz
//
void Send_Clocks(num_clocks)
```

```
{
for {i = 0; i < num clocks; i++}
{
Set_Port(SPI_CLOCK, false); // Set SPI_CLK low  nSec_Delay(50); // Delay 50 nsec
Set_Port(SPI_CLOCK, true); // Set SPI_CLK high  nSec_Delay(50); // Delay 50 nsec
}
}

//
//      Send Data from file
//
void Send File(file pointer)
{
byte = getc(file pointer); // Read first byte from file while (byte != EOF)
{
Send Byte (byte); // Send data byte
byte = getc(file pointer); // read next byte from file
}
}
}
```

Appendix B. Configuration Data Format

The base binary file format is the same for all configuration modes. Different File types (hex, binary, ASCII and others) may ultimately be used to configure the device, but the data in the file is the same. [Table B.1](#) shows the format of a bitstream. The bitstream consists of a comment field, a header, the preamble, and the configuration setup and data.

Table B.1. Configuration Data

Frame	Contents	Description
Comments	start with ff 00	Comments including company name, software name, parts name etc.
—	7e aa 99 7e	32 bits Preamble
config frequency	—	32 bits
reset CRC	—	16 bits
boot mode	—	48 bits
frame size	—	96 bits
start to write frame	—	48 bits
data 0	—	64 bits
—	—	—
—	—	—
dummy bits	00 00	32 bits
data 1	—	64 bits
—	—	—
—	—	—
dummy bits	00 00	32 bits
data 2	—	64 bits
—	—	—
—	—	—
dummy bits	00 00	32 bits
data 3	—	64 bits
—	—	—
—	—	—
dummy bits	00 00	32 bits
frame size	—	96 bits
bank address	—	32 bits
start to write frame	—	48 bits
ebr write command	—	32 bits
ebr data	—	—
dummy bits	00 00	32 bits
CRC check	—	48 bits
wake up	01 06	32 bits

Note: The data in this table is intended for reference only.

References

For more information, refer to the following documents:

- [iCE40 LP/HX Family Data Sheet \(FPGA-DS-02029\)](#)
- [iCE40 LM Family Data Sheet \(FPGA-DS-02043\)](#)
- [Programming Cables User Guide \(FPGA-UG-02042\)](#)

Technical Support Assistance

Submit a technical support case via www.latticesemi.com/techsupport.

For frequently asked questions, refer to the Lattice Answer Database at www.latticesemi.com/en/Support/AnswerDatabase.

Revision History

Revision 3.4, December 2022

Section	Change Summary
All	<ul style="list-style-type: none"> Changed all instances of “pull-up” to “pullup”. Changed all instances of “pull-down” to “pulldown”. Updated all instances of “SPI_SS_B” to “SPI_SS” in all the figures.
sysCONFIG Port	Updated the description for SPI_SI and SPI_SO in Table 8.2. sysCONFIG Pins .
SPI Slave Configuration Interface	<ul style="list-style-type: none"> Updated the description for SPI_SO in Table 13.1. SPI Slave Configuration Interface Pins (SPI_SS Low when CRESET_B Released), indicating that this signal is from “iCE40 device” instead of “CE65 device”. Added information of SPI configuration requirements in the Enabling SPI Configuration Interface section.

Revision 3.3, October 2021

Section	Change Summary
SPI Slave Configuration Interface	<ul style="list-style-type: none"> Changed 200 μs to 200 ns on CRESET_B waveform in Figure 13.2 Added “Once the iCE40 clears its internal configuration memory, the SPI_SS goes to High, waits 8 clock cycles, then goes back to Low and the AP sends the configuration image generated by the Diamond Programmer.” in SPI Slave Configuration Process section.

Revision 3.2, March 2020

Section	Change Summary
Configuration Control Signals	<ul style="list-style-type: none"> Updated content and table note in Table 5.1. Updated Figure 5.1.
Disclaimers	Added this section.

Revision 3.1, February 2020

Section	Change Summary
All	<ul style="list-style-type: none"> Changed all instances of SPI_SS_B to SPI_SS. Updated referenced document IDs.
SPI Slave Configuration Interface	Updated Figure 13.2. Application Processor Waveforms for SPI Peripheral Mode Configuration Process.
Appendix B. Configuration Data Format	Removed Header frame row from Table B.1. Configuration Data

Revision 3.0, January 2018

Section	Change Summary
All	<ul style="list-style-type: none"> Changed document number from TN1248 to FPGA-TN-02001. Updated document template.
Configuration Control Signals	Added notes to Table 5.1. iCE40 Configuration Control Signals.
Internal Device Reset	Updated Figure 7.1. iCE40 Internal Reset Circuitry.
SPI Master Configuration Interface	Updated Table 9.2. Bitstream Sizes for Different iCE40 FPGA Densities Used to Select a SPI Flash.
SPI Slave Configuration Process	<ul style="list-style-type: none"> Changed “300 μs” to “1200 μs” in second paragraph. Updated Figure 13.2. Application Processor Waveforms for SPI Peripheral Mode Configuration Process. Updated Figure 13.3. SPI Slave Configuration Process.
Appendix A. SPI Slave Configuration Procedure	Updated Table A.1. iCE40 SRAM Configuration Sequence.

Section	Change Summary
Configuration	Updated this section.

Revision 2.9, May 2016

Section	Change Summary
SPI Master Configuration Mode Timing Considerations	Added this section.

Revision 2.8, October 2015

Section	Change Summary
SPI Master Configuration Mode Timing Considerations	Added support for iCE40 UltraPlus.
sysCONFIG Pins	<ul style="list-style-type: none"> Revised Table 8.2. sysCONFIG Pins. Changed SPI_SI and SPI_SO Pin Direction.
Appendix B. Configuration Data Format	Revised Table B.1. Configuration Data.

Revision 2.7, April 2015

Section	Change Summary
sysCONFIG Pins	<ul style="list-style-type: none"> Revised Table 8.2. sysCONFIG Pins. Changed SPI_SI and SPI_SO Pin Direction.
Technical Support Assistance	Updated this section.

Revision 2.6, December 2014

Section	Change Summary
Internal Device Reset	<ul style="list-style-type: none"> Revised Figure 7.1. iCE40 Internal Reset Circuitry. Added VCCIO_0 device pin. Revised Table 8.2. sysCONFIG Pins. Added VCCIO_0 in Supply Rail.
sysCONFIG Port	Updated Table 8.2. sysCONFIG Pins. <ul style="list-style-type: none"> Changed SPI_SI and SPI_SO Pin Direction. Changed SPI_CSN pin to SPI_CSN1 in the SPI_SS description.
SPI PROM Requirements	Corrected device in last row of Table 9.2. Bitstream Sizes for Different iCE40 FPGA Densities Used to Select a SPI Flash.
Cold Boot Configuration Option	General revision.
Warm Boot Configuration Option	Added information on enabling warm boot.

Revision 2.5, July 2014

Section	Change Summary
SPI Master Configuration Mode Timing Considerations	Updated Figure 13.2. Application Processor Waveforms for SPI Peripheral Mode Configuration Process. Removed "...always starts with 0x7EAA997E synchronization word."

Revision 2.4, June 2014

Section	Change Summary
All	Added support for iCE40 Ultra.

Revision 2.3, January 2014

Section	Change Summary
Configuration Mode Selection	Added contents to this section.
Appendix B. Configuration Data Format	Added this section.

Revision 2.2, October 2013

Section	Change Summary
All	Updated for iCE40LM support.

Revision 2.1, January 2014

Section	Change Summary
Configuration Mode Selection	Added contents to this section.
Appendix B. Configuration Data Format	Added this section.

Revision 2.0, January 2014

Section	Change Summary
SPI PROM Requirements	Updated the section.
Technical Support Assistance	Updated information.

Revision 1.9, June 2013

Section	Change Summary
Cold Boot Configuration Option	Updated this section to provide more accurate information regarding the Cold Boot mode and the storage of multiple bitstreams.
SPI Slave Configuration Process	Changed VCCIO_AP to AP_VCCIO in Table 13.3. CRESET_B and CDONE Voltage Compatibility.

Revision 1.8, April 2013

Section	Change Summary
SPI Peripheral Configuration Process	Updated this section.

Revision 1.7, April 2013

Section	Change Summary
Appendix A. SPI Slave Configuration Procedure	Updated the Pseudo Code for configuring an iCE40 device.
Internal Oscillator	Added information on how to access the Oscillator settings.

Revision 1.6, April 2013

Section	Change Summary
SPI Master Configuration Interface	Updated Table 9.2. Bitstream Sizes for Different iCE40 FPGA Densities Used to Select a SPI Flash.

Revision 1.5, April 2013

Section	Change Summary
Multiple	Updated based on latest iCE40 information: <ul style="list-style-type: none"> • Included configuration and programming information. • Updated bit file sizes. • Removed JTAG references.
Internal Device Reset	Updated Table 7.1. Power-On Reset Voltage Resources.
Appendix A. SPI Slave Configuration Procedure	Included configuration algorithm.

Revision 1.4, June 2012

Section	Change Summary
All	Updated document with new corporate style.

Revision 1.3, March 2012

Section	Change Summary
All	Initial release



www.latticesemi.com